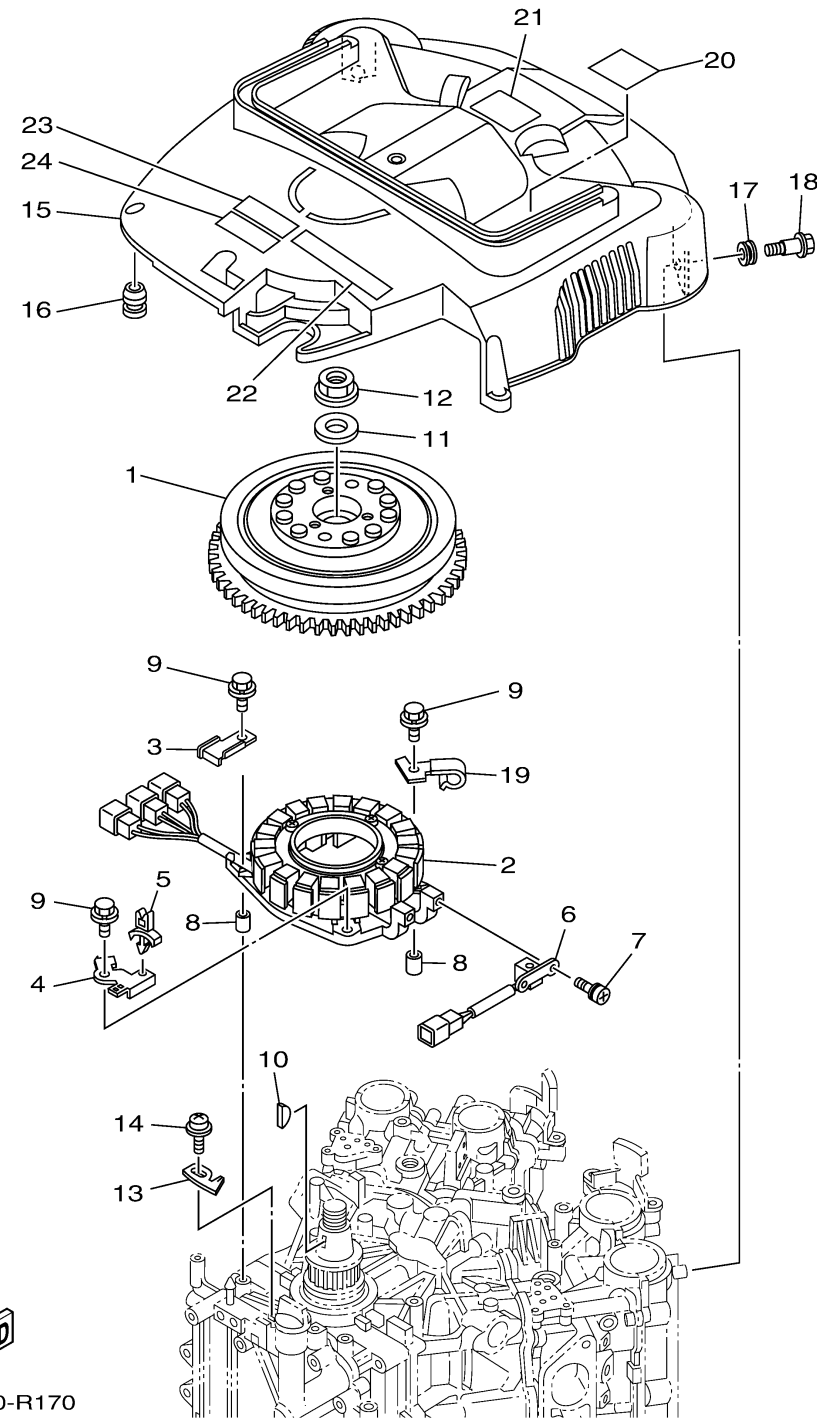


# GENERATOR



| Ref No. | Part Number     | Description                   | Qty | Remarks |
|---------|-----------------|-------------------------------|-----|---------|
| 1       | 6P2-81450-00-00 | ROTOR ASSY                    | 1   |         |
| 2       | 6P2-81460-00-00 | BASE ASSY                     | 1   |         |
| 3       | 6P2-81443-00-00 | CLAMP, LEAD 1                 | 1   |         |
| 4       | 6P2-8257V-00-00 | PLATE, CONNECTOR              | 1   |         |
| 5       | 90464-06001-00  | CLAMP                         | 1   |         |
| 6       | 6P2-85580-00-00 | COIL, PULSER                  | 1   |         |
| 7       | 97980-05312-00  | SCREW, WITH WASHER            | 2   |         |
| 8       | 99530-08012-00  | PIN, DOWEL                    | 2   |         |
| 9       | 97E95-06635-00  | BOLT, HEXAGON W/W DEEP RECESS | 4   |         |
| 10      | 90280-05015-00  | KEY, WOODRUFF                 | 1   |         |
| 11      | 90201-24014-00  | WASHER, PLATE                 | 1   |         |
| 12      | 90179-24002-00  | NUT                           | 1   |         |
| 13      | 6P2-81332-00-00 | PLATE, TIMING                 | 1   |         |
| 14      | 97985-06210-00  | SCREW, WITH WASHER            | 1   |         |
| 15      | 6P2-81337-02-00 | COVER, FLYWHEEL               | 1   |         |
| 16      | 663-82317-01-00 | DAMPER, IGNITION COIL         | 4   |         |
| 17      | 90480-12314-00  | GROMMET                       | 2   |         |
| 18      | 90109-06MA1-00  | BOLT                          | 2   |         |
| 19      | 6P2-81128-00-00 | CLAMP                         | 1   |         |
| 20      | 6P2-81919-60-00 | GRAPHIC, REGULATOR            | 1   |         |

CONTINUED ON NEXT FRAME >

# GENERATOR

| Ref No. | Part Number     | Description        | Qty | Remarks |
|---------|-----------------|--------------------|-----|---------|
| 21      | 6P2-81919-70-00 | GRAPHIC, REGULATOR | 1   |         |
| 22      | 60L-13437-63-00 | MARK, CAUTION      | 1   |         |
| 23      | 6EE-81994-40-00 | LABEL, SAFETY      | 1   |         |
| 24      | 6EE-81994-50-00 | LABEL, SAFETY      | 1   |         |

