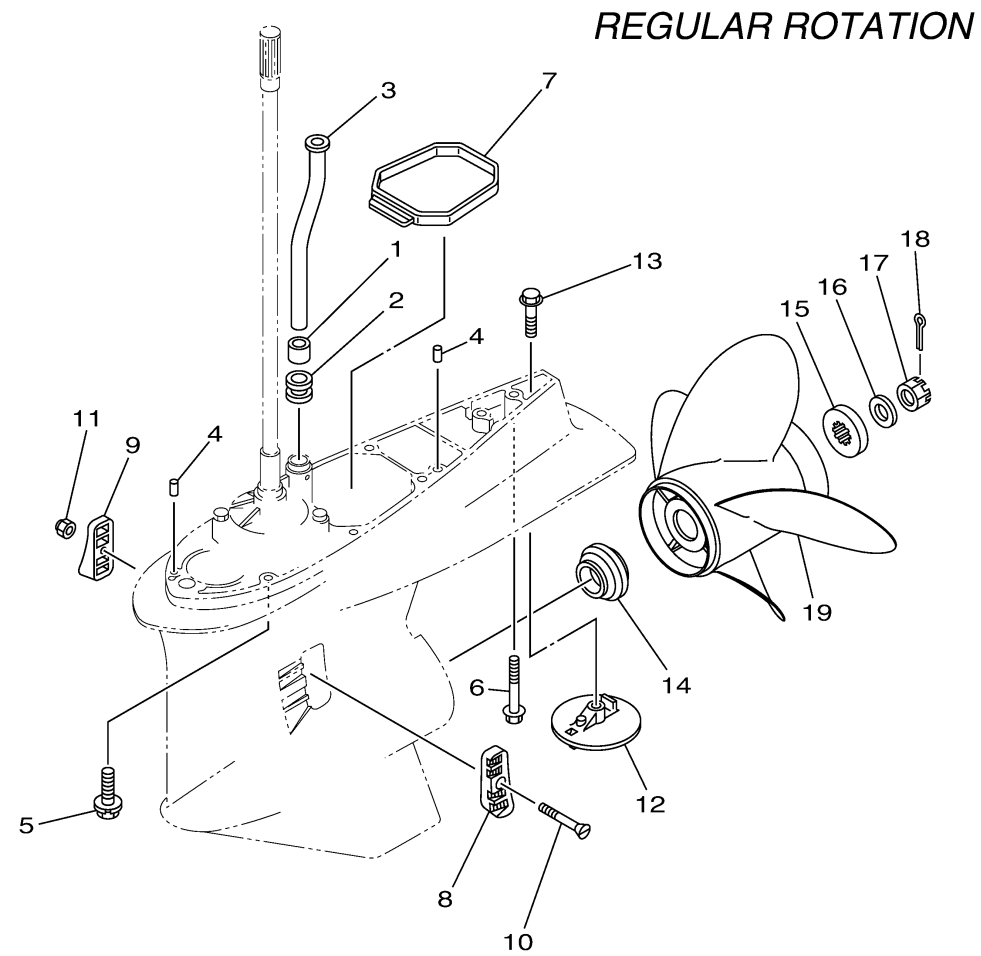


LOWER CASING DRIVE 2



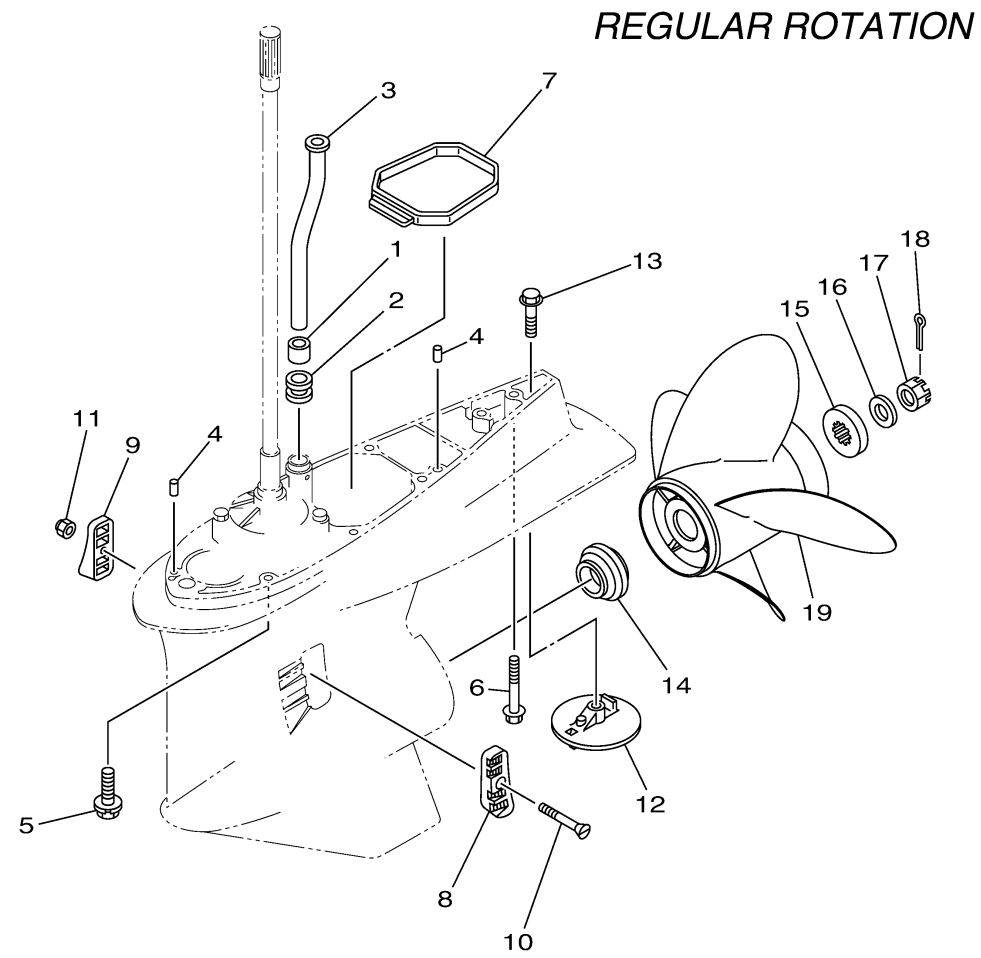
Ref No.	Part Number	Description	Qty	Remarks
1	6E5-44365-00-00	DAMPER, WATER SEAL 1	1	
2	6E5-44366-00-00	DAMPER, WATER SEAL 2	1	
3	6S1-44361-02-00	TUBE, WATER 1	1	X(25.3")
4	93608-12M05-00	PIN, DOWEL	2	
5	97E95-10645-00	BOLT, HEXAGON W/W DEEP RECESS	7	X(25.3")
6	90119-10MA2-00	BOLT, WITH WASHER	1	X(25.3")
7	69J-45375-00-00	DAMPER, SEAL	1	
8	61A-45214-11-00	COVER, WATER INLET 1	1	
9	61A-45215-11-00	COVER, WATER INLET 2	1	
10	90152-05003-00	SCREW, COUNTERSUNK	1	
11	90185-05002-00	.NUT, NYLON	1	
12	6CE-45373-00-00	ANODE	1	
13	90105-10M00-00	BOLT, FLANGE	1	
14	69J-45987-00-00	SPACER 1	1	
15	688-45997-01-00	SPACER 2	1	
16	92990-18200-00	WASHER	1	
17	90171-18M04-00	NUT, CASTLE	1	
18	91490-40030-00	PIN. COTTER	1	
19	6BR-45B74-00-00	PROPELLER (4X15"X23"-T)	1	UR
19	6BR-45B72-00-00	PROPELLER (4X15"X22"-T)	1	UR

CONTINUED ON NEXT FRAME >


6ALF100-T330

LOWER CASING DRIVE 2

Ref No.	Part Number	Description	Qty	Remarks
19	6BR-45B70-00-00	PROPELLER (4X15"X21"-T)	1	UR



FWD
6ALF100-T330