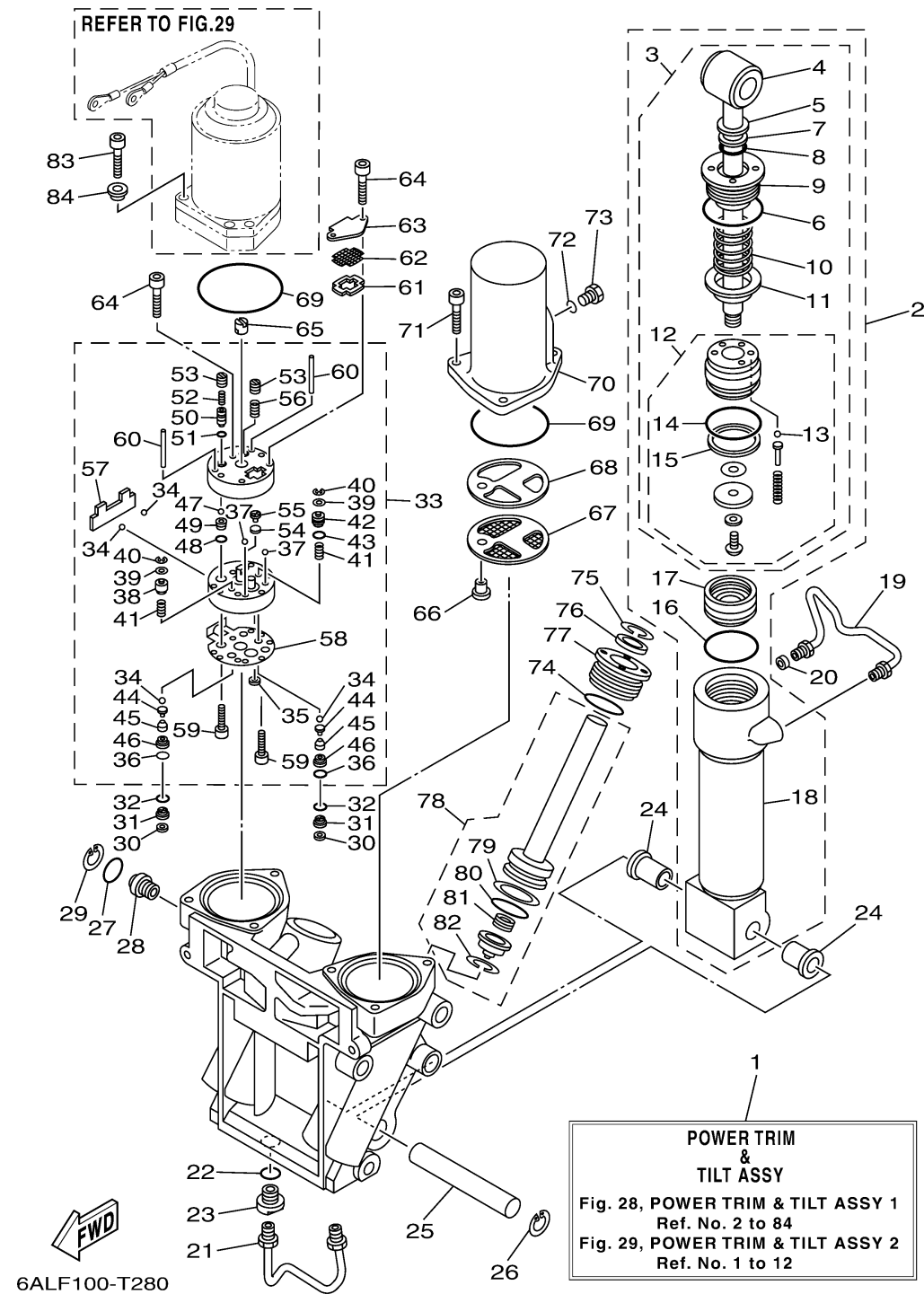


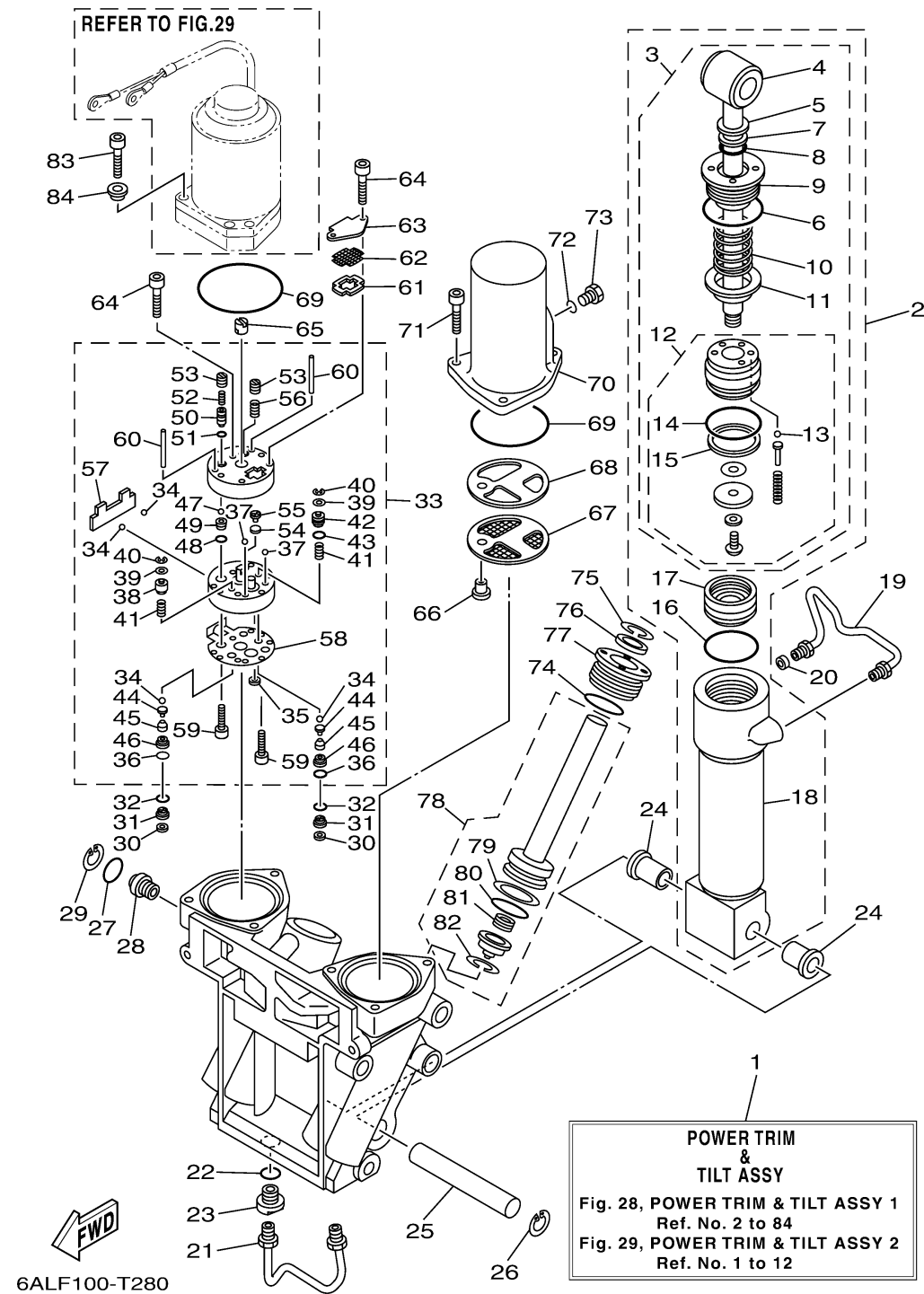
POWER TRIM TILT ASSY 1



| Ref No. | Part Number | Description | Qty | Remarks |
|---------|-----------------|--------------------------|-----|---------|
| 1 | 69J-43800-10-8D | POWER TRIM & TILT ASSY | 1 | |
| 2 | 6CE-43840-00-00 | POWER TILT ASSY | 1 | |
| 3 | 6CE-43810-00-00 | . .TILT PISTON SUB ASSY | 1 | |
| 4 | 69J-43801-01-00 | . . .ROD | 1 | |
| 5 | 93106-19N50-00 | . . .OIL SEAL | 1 | |
| 6 | 63P-43861-20-00 | . . .O-RING | 1 | |
| 7 | 6H1-43872-00-00 | . . .RING, BACK UP | 1 | |
| 8 | 61A-4389H-01-00 | . . .O-RING | 1 | |
| 9 | 61A-43811-00-00 | . . .SCREW, CYLINDER END | 1 | |
| 10 | 69J-4384H-00-00 | . . .SPRING | 1 | |
| 11 | 69J-4382E-00-00 | . . .ADAPTOR 2 | 1 | |
| 12 | 6CE-4380P-00-00 | . . .PISTON SUB ASSY | 1 | |
| 13 | 93505-32038-00 | . . .BALL | 5 | |
| 14 | 61A-43861-00-00 | . . . O-RING | 1 | |
| 15 | 61A-43871-00-00 |RING, BACK UP | 1 | |
| 16 | 61A-43861-00-00 | . O-RING | 1 | |
| 17 | 6H1-43814-11-00 | . .PISTON, FREE | 1 | |
| 18 | 61A-43813-02-00 | . .CYLINDER, TILT | 1 | |
| 19 | 69J-43835-10-00 | PIPE | 1 | |
| 20 | 69J-4388J-00-00 | PLUG 2 | 1 | |

CONTINUED ON NEXT FRAME >

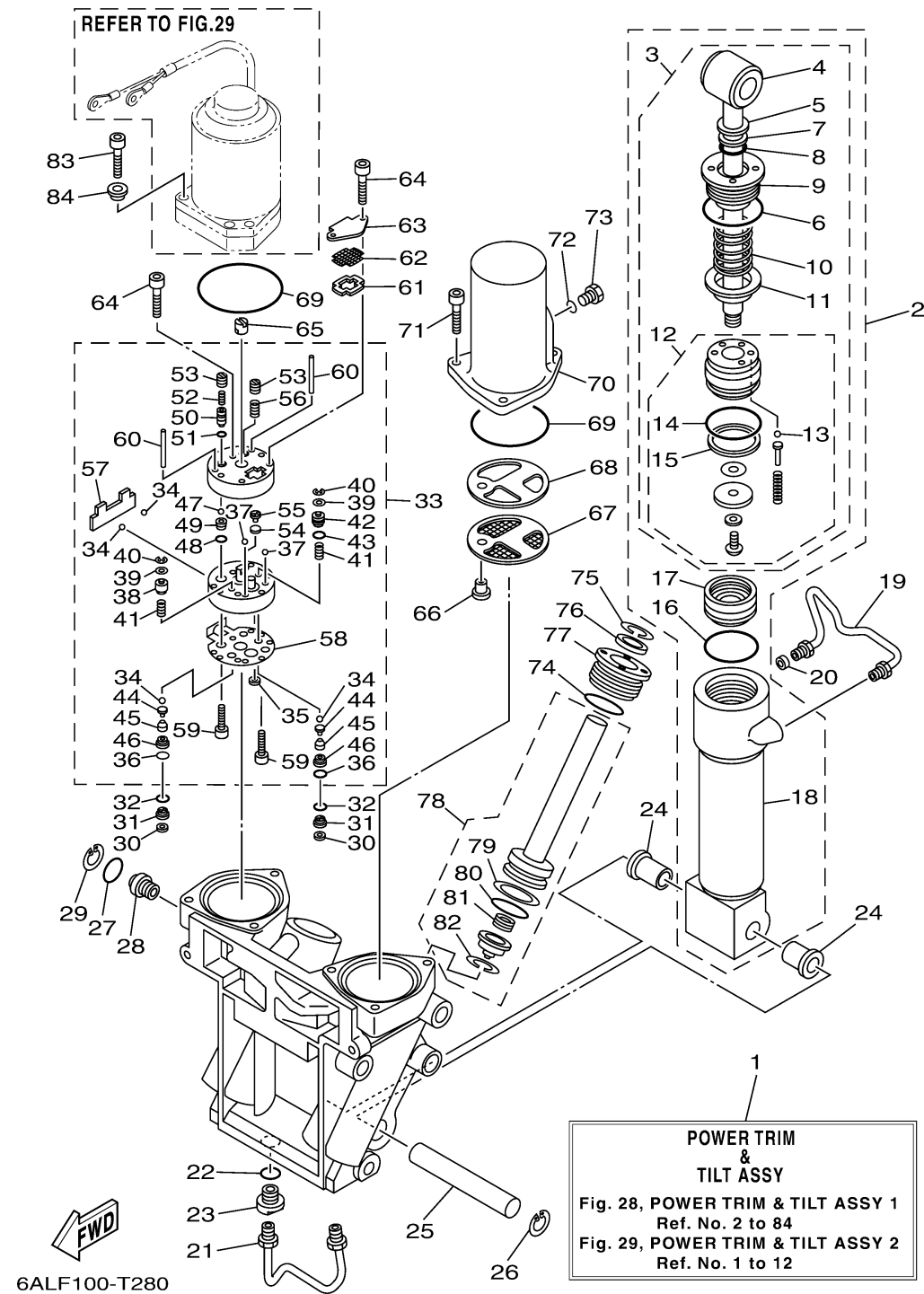
POWER TRIM TILT ASSY 1



| Ref No. | Part Number | Description | Qty | Remarks |
|---------|-----------------|------------------------|-----|---------|
| 21 | 69J-43833-02-00 | PIPE | 1 | |
| 22 | 93210-17239-00 | O-RING | 1 | |
| 23 | 69J-4388E-01-00 | BOLT ,SCREW | 1 | |
| 24 | 90386-18M14-00 | BUSH | 2 | |
| 25 | 61A-43818-00-00 | PIN, LOWER SHOCK MOUNT | 1 | |
| 26 | 61A-43876-00-00 | RING, SNAP | 1 | |
| 27 | 6D8-43863-00-00 | O-RING | 1 | |
| 28 | 69J-43845-00-00 | SCREW, MANUAL RELEASE | 1 | |
| 29 | 6H1-43875-00-00 | RING, SNAP | 1 | |
| 30 | 69J-4381C-00-00 | .FILTER 3 | 2 | |
| 31 | 69J-43899-01-00 | PLATE STOPPER | 2 | |
| 32 | 69J-4389J-00-00 | .O-RING | 2 | |
| 33 | 69J-43830-01-00 | GEAR PUMP ASSY | 1 | |
| 34 | 93505-32038-00 | . .BALL | 4 | |
| 35 | 69J-4381C-00-00 | . .FILTER 3 | 1 | |
| 36 | 69J-4389J-00-00 | . .O-RING | 2 | |
| 37 | 93503-16003-00 | . .BALL | 2 | |
| 38 | 6CJ-4384M-00-00 | . .PISTON, SHUTTLE 2 | 1 | |
| 39 | 69A-4384F-00-00 | . .SEAL, MAIN VALVE | 2 | |
| 40 | 99002-03600-00 | . CIRCLIP | 2 | |

CONTINUED ON NEXT FRAME >

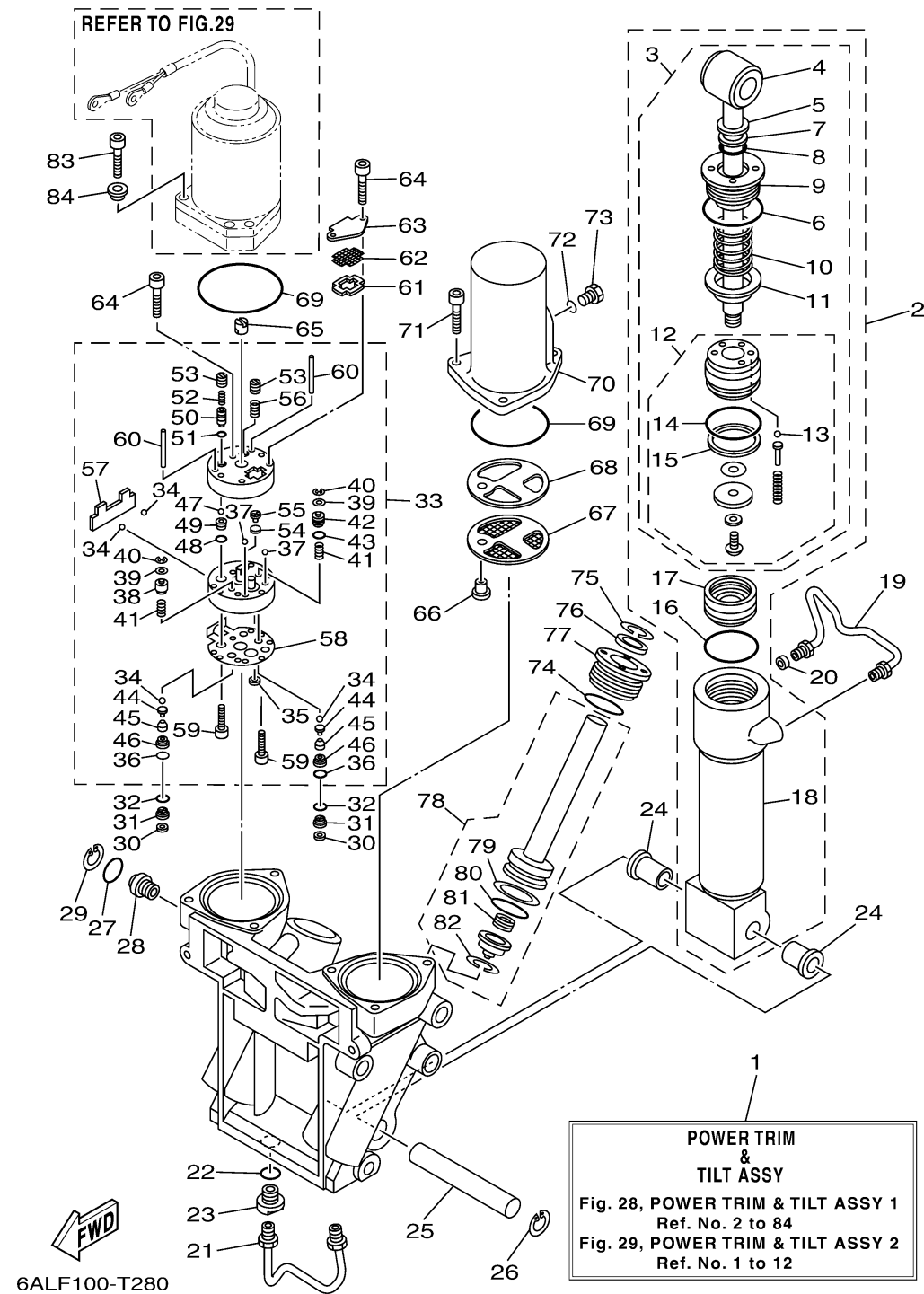
POWER TRIM TILT ASSY 1



| Ref No. | Part Number | Description | Qty | Remarks |
|---------|-----------------|--------------------------|-----|---------|
| 41 | 69J-43894-00-00 | ..SPRING, SHUTTLE RETURN | 2 | |
| 42 | 6CJ-43841-00-00 | ..PISTON, SHUTTLE | 1 | |
| 43 | 6H1-43883-00-00 | ..O-RING | 1 | |
| 44 | 60V-4386A-00-00 | ..PIN, ABSORBER VALVE | 2 | |
| 45 | 69J-43853-00-00 | ..SPRING, MAIN VALVE | 2 | |
| 46 | 6CJ-43893-00-00 | ..WASHER | 2 | |
| 47 | 93501-08001-00 | ..BALL | 2 | |
| 48 | 93210-08391-00 | ..O-RING | 1 | |
| 49 | 69J-43851-00-00 | ..SEAT, RELIEF VALVE | 1 | |
| 50 | 63P-43844-20-00 | ..PIN, VALVE SUPPORT | 1 | |
| 51 | 93210-064A5-00 | ..O-RING | 1 | |
| 52 | 69J-43855-00-00 | ..SPRING, UP RELIEF | 1 | |
| 53 | 6CJ-43843-00-00 | ..SCREW, VALVE LOCK | 2 | |
| 54 | 6H1-4384G-11-00 | ..SEAL, RELIEF VALVE | 1 | |
| 55 | 6H1-43844-10-00 | ..PIN, VALVE SUPPORT | 1 | |
| 56 | 6H1-43856-10-00 | ..SPRING, DOWN RELIEF | 1 | |
| 57 | 69J-43854-00-00 | ..SPRING, MANUAL RELEASE | 1 | |
| 58 | 69J-4384G-00-00 | ..SEAL, RELIEF VALVE | 1 | |
| 59 | 91318-05025-00 | ..BOLT | 2 | |
| 60 | 93604-35236-00 | ..PIN, DOWEL | 2 | |

CONTINUED ON NEXT FRAME >

POWER TRIM TILT ASSY 1



| Ref No. | Part Number | Description | Qty | Remarks |
|---------|-----------------|--------------------------|-----|---------|
| 61 | 69J-43871-00-00 | RING, BACK UP | 1 | |
| 62 | 69J-43816-00-00 | FILTER 1 | 1 | |
| 63 | 69J-4381J-00-00 | PLATE | 1 | |
| 64 | 91318-05040-00 | BOLT | 3 | |
| 65 | 69J-43831-00-00 | CONNECTOR, SHAFT | 1 | |
| 66 | 69J-4388H-00-00 | PLUG | 1 | |
| 67 | 69J-43817-00-00 | FILTER 2 | 1 | |
| 68 | 69J-4388F-00-00 | SPACER | 1 | |
| 69 | 93210-66001-00 | O-RING | 2 | |
| 70 | 69J-43828-00-00 | BODY, RESERVOIR | 1 | |
| 71 | 69J-43888-00-00 | BOLT, SOCKET | 3 | |
| 72 | 93210-09165-00 | O-RING | 1 | |
| 73 | 6H1-43829-00-00 | PLUG, RESERVOIR | 1 | |
| 74 | 61A-43861-00-00 | O-RING | 2 | |
| 75 | 6T4-43875-01-00 | RING, SNAP | 2 | |
| 76 | 69J-43822-00-00 | SEAL, TRIM DUST | 2 | |
| 77 | 61A-43821-01-00 | SCREW, TRIM CYLINDER END | 2 | |
| 78 | 69J-43820-01-00 | TRIM PISTON SUB ASSY | 2 | |
| 79 | 61A-43874-00-00 | . .RING, BACK UP | 1 | |
| 80 | 61A-43864-00-00 | . .O-RING | 1 | |

CONTINUED ON NEXT FRAME >

