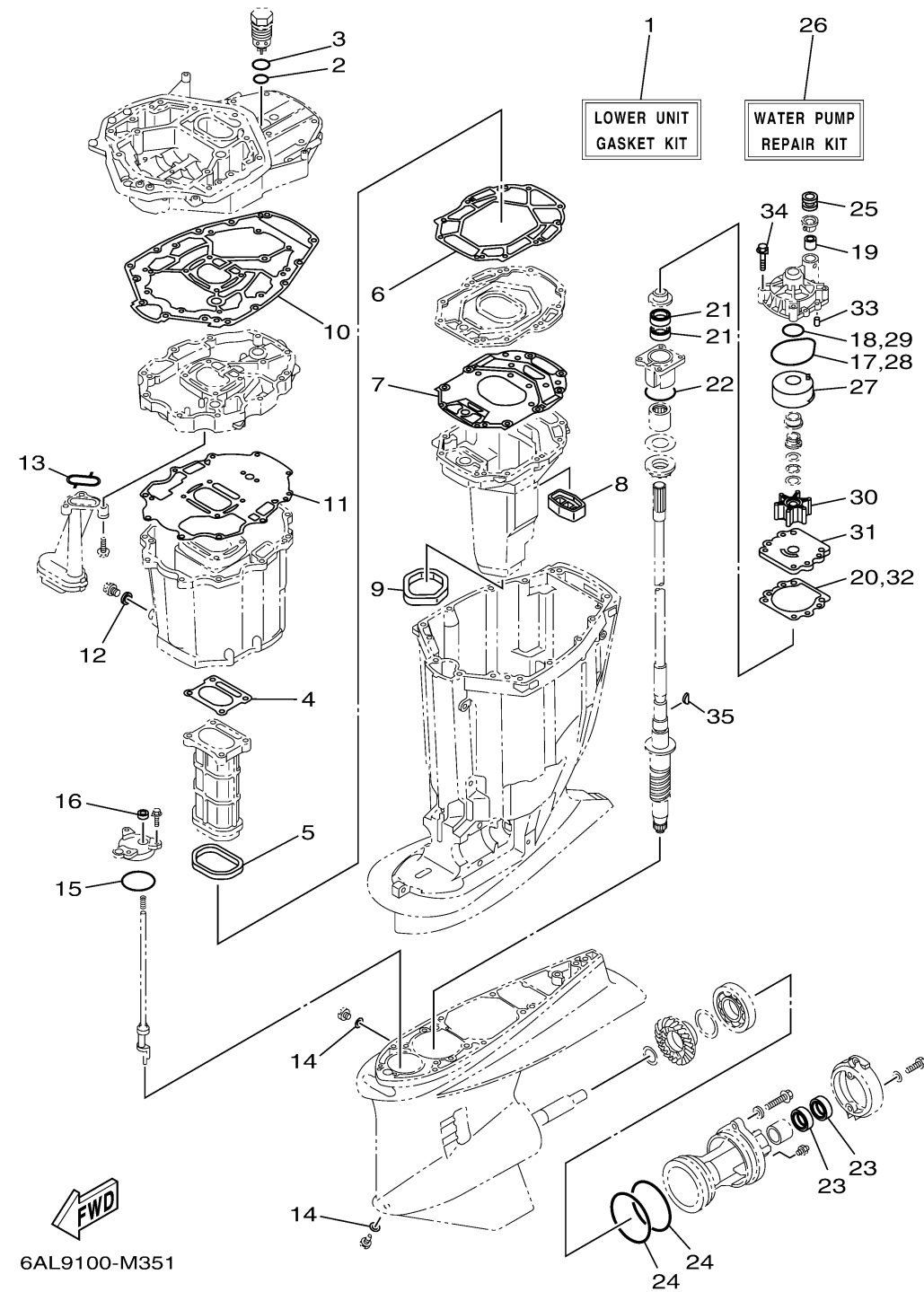


REPAIR KIT 2

| Ref No. | Part Number | Description | Qty | Remarks |
|---------|-----------------|-------------------------------|-----|---------|
| 1 | 69J-W0001-23-00 | LOWER UNIT GASKET KIT | 1 | |
| 2 | 93210-28543-00 | . O-RING | 1 | |
| 3 | 93210-347A1-00 | . O-RING | 1 | |
| 4 | 6P2-41134-00-00 | . .GASKET, EXHAUST MANIFOLD | 1 | |
| 5 | 69J-41138-00-00 | . .SEAL, EXT. 1 | 1 | |
| 6 | 69J-41135-A0-00 | . .GASKET, EXHAUST MANIFOLD | 1 | |
| 7 | 6S1-41136-00-00 | . .GASKET, EXHAUST MANIFOLD 4 | 1 | |
| 8 | 69J-45127-00-00 | . .SEAL | 1 | |
| 9 | 69J-45123-00-00 | . .GASKET, MUFFLER | 1 | |
| 10 | 69J-45113-21-00 | . .GASKET, UPPER CASING | 1 | |
| 11 | 69J-15312-02-00 | . .GASKET, OIL PAN | 1 | |
| 12 | 90430-14M09-00 | . .GASKET | 1 | |
| 13 | 69J-13415-00-00 | . .SEAL, OIL STRAINER | 1 | |
| 14 | 90430-08003-00 | . .GASKET | 2 | |
| 15 | 93210-64488-00 | . .O-RING | 1 | |
| 16 | 93106-09014-00 | . OIL SEAL | 1 | |
| 17 | 93210-86M38-00 | . O-RING | 1 | |
| 18 | 93210-37160-00 | . .O-RING | 1 | |
| 19 | 6E5-44365-00-00 | . DAMPER, WATER SEAL 1 | 1 | |
| 20 | 6E5-44315-A0-00 | . GASKET, WATER PUMP | 1 | |

CONTINUED ON NEXT FRAME >



REPAIR KIT 2

| Ref No. | Part Number | Description | Qty | Remarks |
|---------|-----------------|--------------------------|-----|---------|
| 21 | 93101-28M16-00 | . OIL SEAL | 2 | |
| 22 | 93210-55M14-00 | . O-RING | 1 | |
| 23 | 93101-30M17-00 | . OIL SEAL | 2 | |
| 24 | 93211-04384-00 | . .O-RING | 2 | |
| 25 | 6E5-44366-00-00 | . DAMPER, WATER SEAL 2 | 1 | |
| 26 | 61A-W0078-A3-00 | WATER PUMP REPAIR KIT | 1 | |
| 27 | 61A-44322-02-00 | . INSERT, CARTRIDGE | 1 | |
| 28 | 93210-86M38-00 | . O-RING | 1 | |
| 29 | 93210-37160-00 | . .O-RING | 1 | |
| 30 | 6E5-44352-01-00 | . IMPELLER | 1 | |
| 31 | 6G5-44323-01-00 | . OUTER PLATE, CARTRIDGE | 1 | |
| 32 | 6E5-44315-A0-00 | . GASKET, WATER PUMP | 1 | |
| 33 | 93606-12019-00 | . PIN, DOWEL | 2 | |
| 34 | 90119-08M14-00 | . .BOLT, WITH WASHER | 4 | |
| 35 | 90280-04M05-00 | . KEY, WOODRUFF | 1 | |