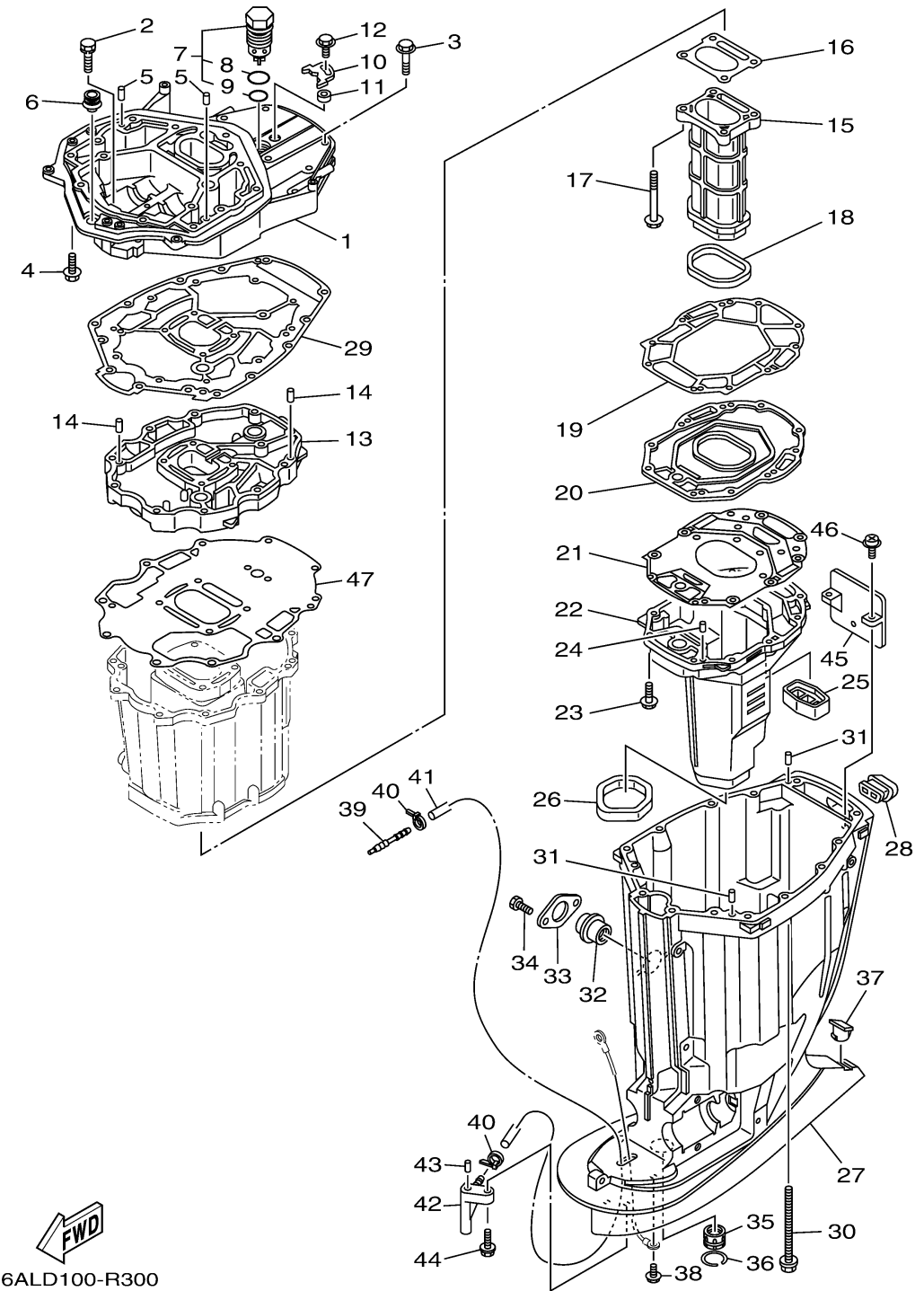


# UPPER CASING

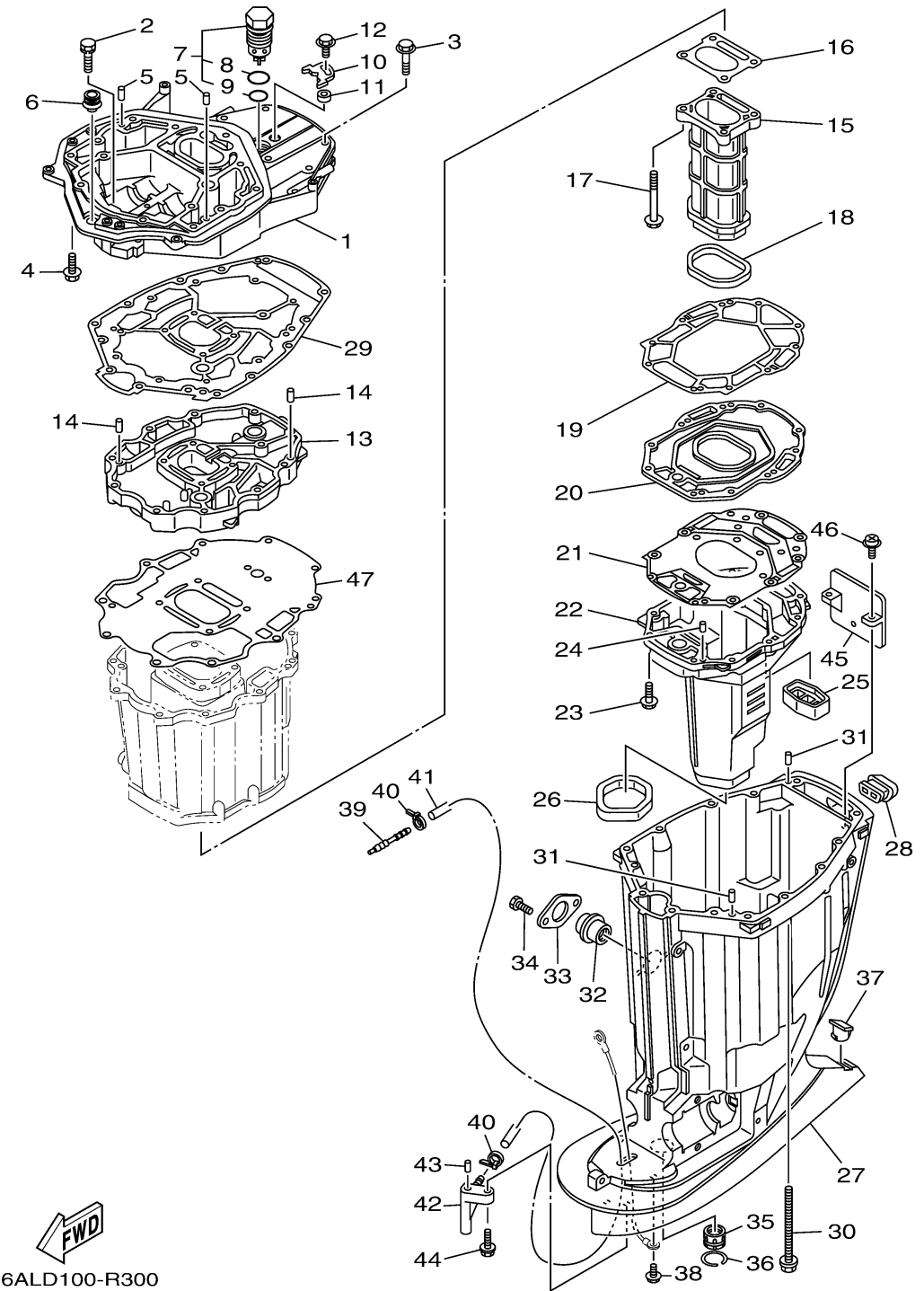


6ALD100-R300

Ref No.	Part Number	Description	Qty	Remarks
1	69J-41137-10-CA	GUIDE, EXHAUST	1	
2	90119-08102-00	BOLT, WITH WASHER	2	
3	97E75-10545-00	BOLT, HEXAGON W/W DEEP RECESS	7	
4	97E75-10535-00	BOLT, HEXAGON W/W DEEP RECESS	7	
5	93608-16M16-00	PIN, DOWEL	2	
6	6E5-42724-00-00	GROMMET	1	
7	6AW-11371-10-00	PRESSURE CONTROL VALVE ASSY	1	
8	93210-347A1-00	. O-RING	1	
9	93210-28543-00	. O-RING	1	
10	69J-12233-00-00	PLATE, GUIDE STOPPER 1	1	
11	90387-06037-00	COLLAR	1	
12	97E95-06520-00	BOLT, HEXAGON W/W DEEP RECESS	1	
13	69J-41131-11-CA	MANIFOLD, EXT. 1	1	
14	93608-16M16-00	PIN, DOWEL	2	
15	69J-41132-20-9S	MANIFOLD, EXHAUST	1	
16	6P2-41134-00-00	.GASKET, EXHAUST MANIFOLD	1	
17	97E75-08590-00	BOLT, HEXAGON W/W DEEP RECESS	4	
18	69J-41138-00-00	.SEAL, EXT. 1	1	
19	69J-41135-A0-00	.GASKET, EXHAUST MANIFOLD	1	
20	69J-45181-10-9S	PLATE	1	

CONTINUED ON NEXT FRAME >

# UPPER CASING



Ref No.	Part Number	Description	Qty	Remarks
21	6S1-41136-00-00	.GASKET, EXHAUST MANIFOLD 4	1	
22	69J-14711-00-9S	MUFFLER 1	1	
23	97E75-08535-00	BOLT, HEXAGON W/W DEEP RECESS	10	
24	93606-19M23-00	.PIN, DOWEL	2	
25	69J-45127-00-00	.SEAL	1	
26	69J-45123-00-00	GASKET, MUFFLER	1	
27	69J-45111-10-8D	CASING, UPPER	1	
28	69J-42769-00-00	SEAL, RUBBER	1	
29	69J-45113-21-00	.GASKET, UPPER CASING	1	
30	90119-10007-00	BOLT, WITH WASHER	6	
31	93608-16M16-00	PIN, DOWEL	2	
32	69J-15316-00-00	DAMPER 1	1	
33	69J-45152-10-00	COVER, UPPER CASING 2	1	
34	97D95-06012-00	BOLT, HEXAGON DEEP RECESS	2	
35	69J-45318-01-00	BUSHING, DRIVE SHAFT	1	
36	93420-36M01-00	CIRCLIP	1	
37	61A-45155-00-00	CAP	1	
38	95D95-06010-00	BOLT, FLANGE DEEP RECESS	1	
39	6E5-83558-00-00	END, NIPPLE	1	
40	90465-11M10-00	CLAMP	2	

CONTINUED ON NEXT FRAME >

# UPPER CASING

Ref No.	Part Number	Description	Qty	Remarks
41	90445-07010-00	HOSE (L1330)	1	X(25.3")
42	61A-45378-00-00	NIPPLE, HOSE	1	
43	93606-12019-00	PIN, DOWEL	1	
44	90119-06M17-00	BOLT, WITH WASHER	1	
45	69J-14624-01-00	COVER, EXHAUST	1	
46	97980-06216-00	SCREW, WITH WASHER	2	
47	69J-15312-02-00	.GASKET, OIL PAN	1	

