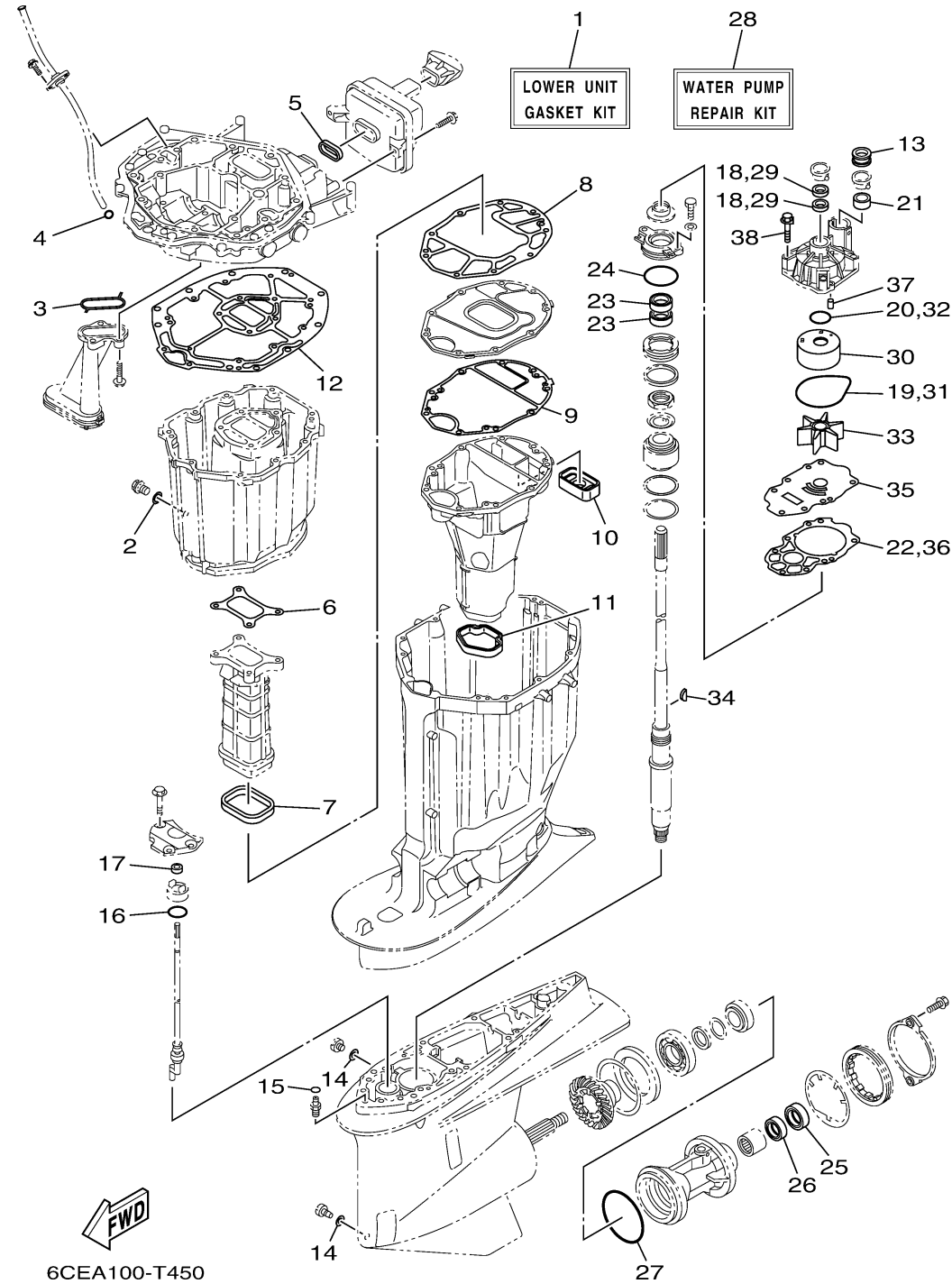
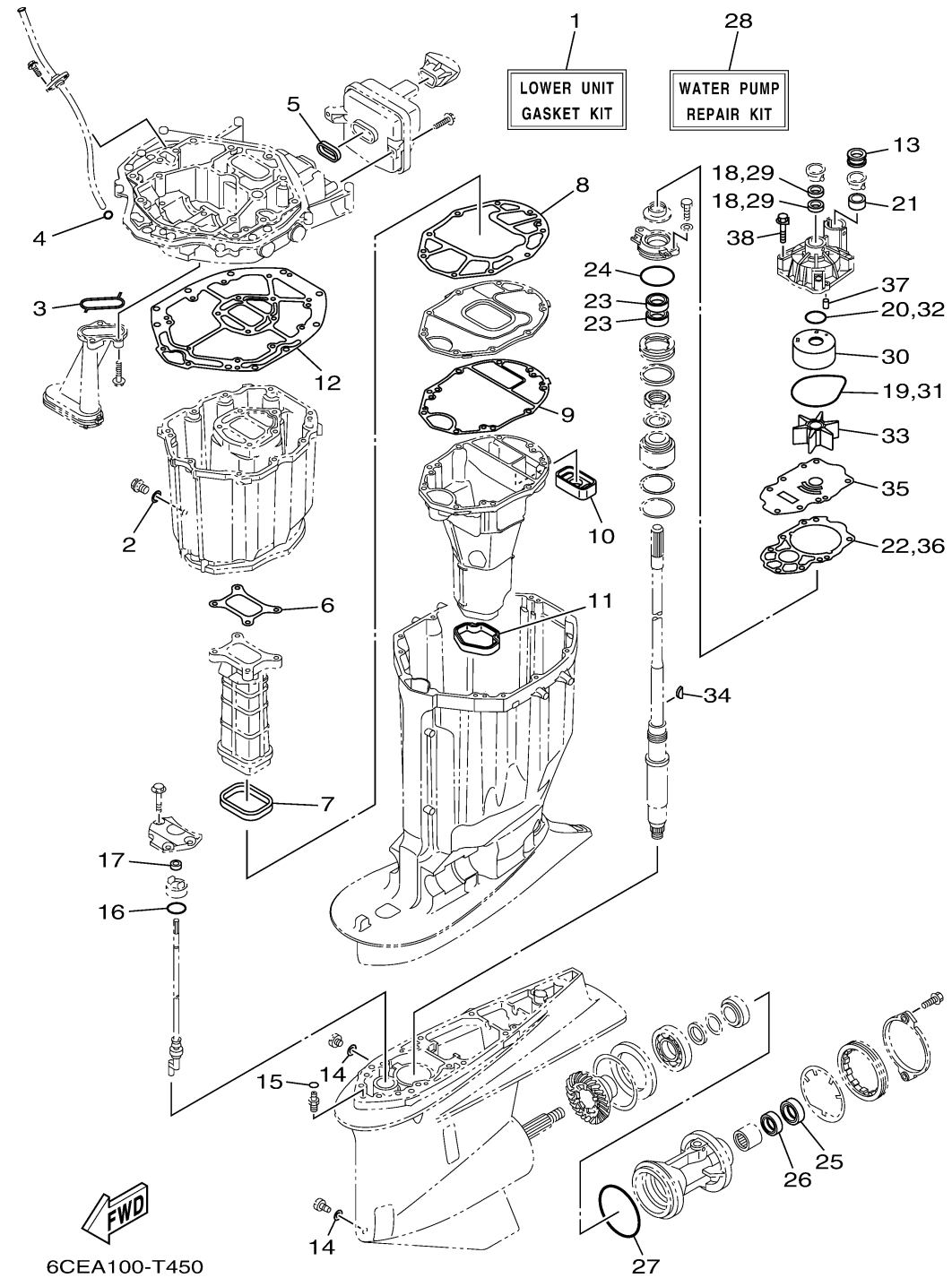


REPAIR KIT 2



Ref No.	Part Number	Description	Qty	Remarks
1	6CE-W0001-22-00	LOWER UNIT GASKET KIT	1	
2	90430-14M09-00	..GASKET	1	
3	6AW-13415-00-00	..SEAL, OIL STRAINER	1	
4	93210-19MJ3-00	..O-RING	1	
5	6CB-14755-00-00	..GASKET, SILENCER	1	
6	6CB-41134-00-00	..GASKET, EXHAUST MANIFOLD	1	
7	6CB-41138-00-00	..SEAL, EXT. 1	1	
8	6CB-41135-00-00	..GASKET, EXHAUST MANIFOLD	1	
9	6CE-41136-00-00	..GASKET, EXHAUST MANIFOLD 4	1	
10	6CE-45127-00-00	..SEAL	1	
11	6CE-45123-00-00	..GASKET, MUFFLER	1	
12	6CB-45113-01-00	..GASKET, UPPER CASING	1	
13	6AW-44366-00-00	..DAMPER, WATER SEAL 2	1	
14	90430-08003-00	..GASKET	2	
15	93210-07003-00	..O-RING	1	
16	93210-33M49-00	..O-RING	1	
17	93106-09014-00	..OIL SEAL	1	X(25.3")
17	93106-10001-00	..OIL SEAL	1	U(30.3"), E(35.3")
18	93104-22M07-00	..OIL SEAL	2	
19	93210-94003-00	..O-RING	1	

CONTINUED ON NEXT FRAME >



REPAIR KIT 2

Ref No.	Part Number	Description	Qty	Remarks
20	93210-37160-00	. .O-RING	1	
21	6AW-44365-00-00	. DAMPER, WATER SEAL 1	1	
22	6CE-44315-00-00	. .GASKET, WATER PUMP	1	
23	93101-28M16-00	. OIL SEAL	2	
24	93210-64488-00	. .O-RING	1	
25	93101-30002-00	. OIL SEAL	1	
26	93101-30004-00	. OIL SEAL	1	
27	93211-02001-00	. .O-RING	1	
28	6CE-W0078-01-00	WATER PUMP REPAIR KIT	1	
29	93104-22M07-00	. .OIL SEAL	2	
30	6AW-44322-00-00	. .INSERT, CARTRIDGE	1	
31	93210-94003-00	. .O-RING	1	
32	93210-37160-00	. .O-RING	1	
33	6CE-44352-00-00	. .IMPELLER	1	
34	90280-04002-00	. .KEY, WOODRUFF	1	
35	6CE-44323-01-00	. .OUTER PLATE, CARTRIDGE	1	
36	6CE-44315-00-00	. .GASKET, WATER PUMP	1	
37	93606-12019-00	. PIN, DOWEL	2	
38	90119-08M14-00	. .BOLT, WITH WASHER	4	