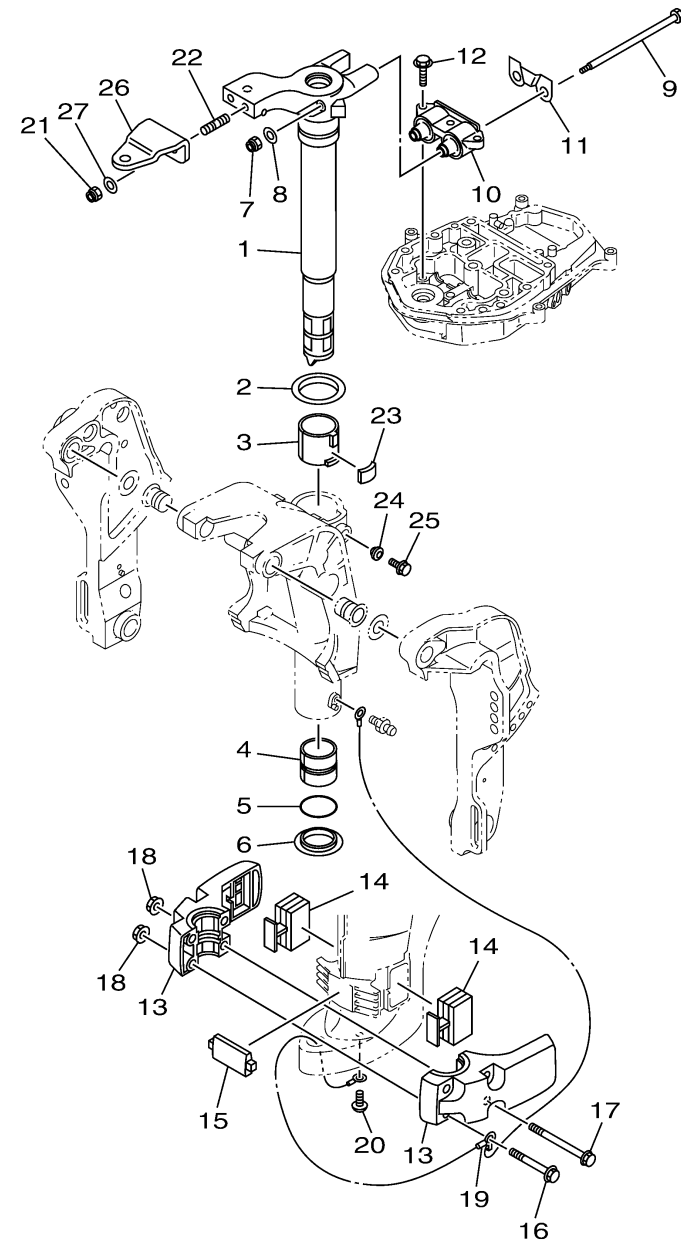



 6BPC100-T220

BRACKET 2

Ref No.	Part Number	Description	Qty	Remarks
1	65W-42511-11-8D	BRACKET, STEERING	1	L(21.7")
2	90209-52M00-00	WASHER	1	
3	90386-52M02-00	BUSH	1	
4	90386-44M03-00	BUSH	1	
5	93210-43MJ0-00	O-RING	1	
6	90386-44M99-00	BUSH	1	
7	90185-08018-00	NUT, SELF-LOCKING	2	
8	92995-08200-00	.WASHER	2	
9	90101-08M86-00	BOLT	2	
10	67C-44514-20-00	MOUNT DAMPER, UPPER SIDE	1	
11	66T-44526-30-00	PLATE	1	
12	97E75-08530-00	BOLT, HEXAGON W/W DEEP RECESS	3	
13	65W-44551-11-8D	HOUSING, LOWER MOUNT RUBBER 1	2	L(21.7")
14	65W-44555-00-00	MOUNT DAMPER, LOWER SIDE	2	L(21.7")
15	65W-44575-01-00	DAMPER, LOWER MOUNT RUBBER	1	L(21.7")
16	97E75-10580-00	BOLT, HEXAGON W/W DEEP RECESS	2	L(21.7")
17	90119-10M14-00	BOLT, WITH WASHER	2	L(21.7")
18	90179-10M33-00	NUT	4	L(21.7")
19	65W-82127-10-00	WIRE, LEAD 2	1	L(21.7")
20	97885-06008-00	SCREW, PAN HEAD	1	

CONTINUED ON NEXT FRAME >



BRACKET 2

Ref No.	Part Number	Description	Qty	Remarks
21	90185-10027-00	NUT, SELF-LOCKING	2	
22	90116-10064-00	BOLT, STUD	2	
23	648-42528-00-00	PLATE, FRICTION	1	
24	65W-43373-00-00	SEAL, DAMPER	1	
25	90105-08M76-00	BOLT, FLANGE	1	
26	65W-48511-01-00	HOOK, STEERING	1	
27	90201-10049-00	WASHER, PLATE	2	



6BPC100-T220