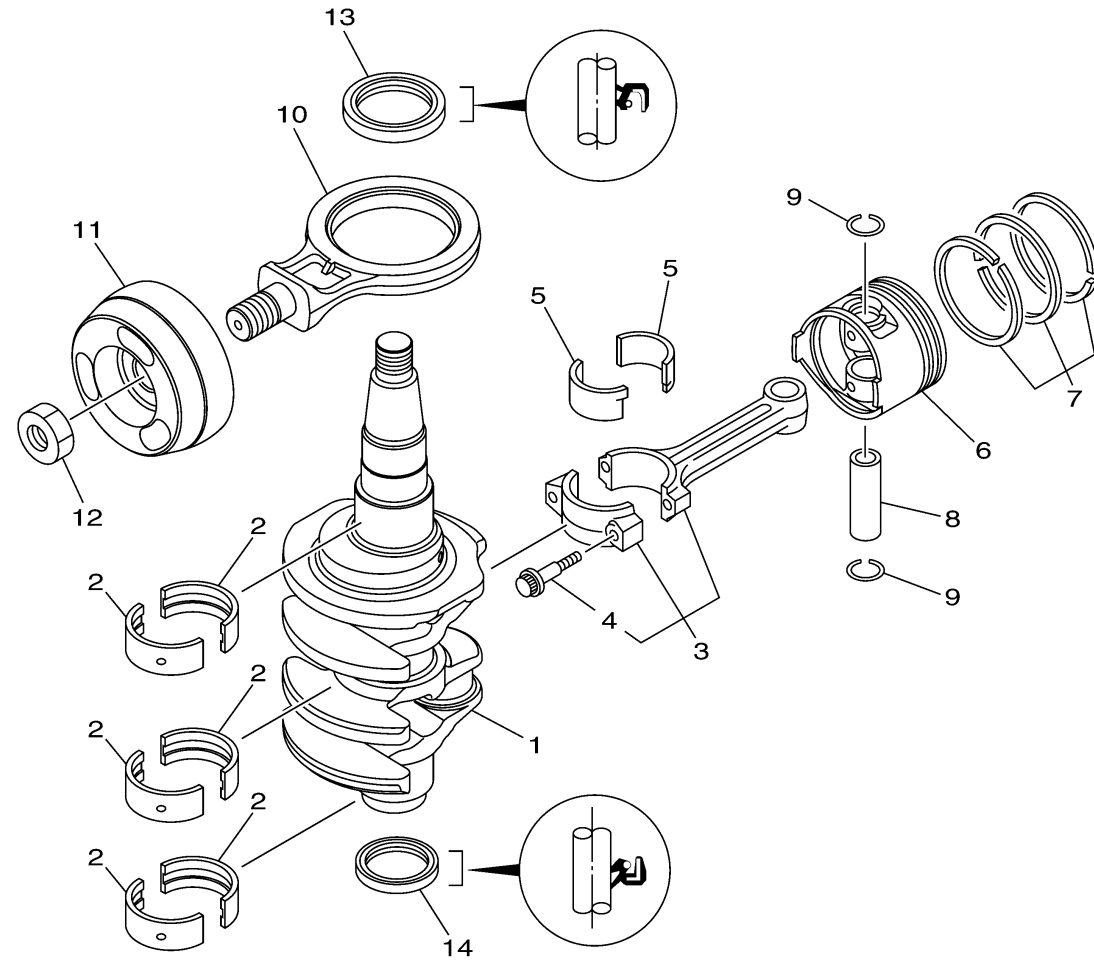


# CRANKSHAFT PISTON



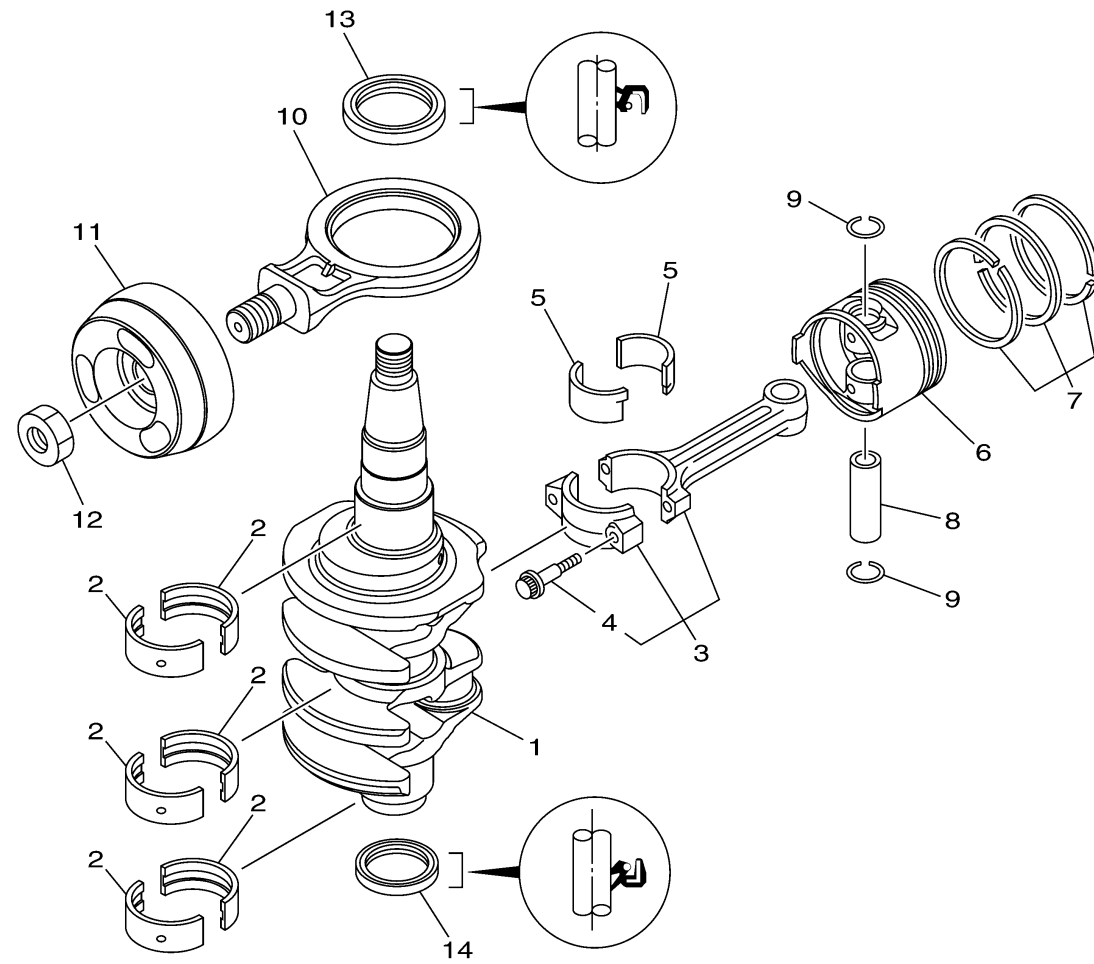
Ref No.	Part Number	Description	Qty	Remarks
1	6BL-11411-00-00	CRANKSHAFT	1	
2	6BG-11416-30-00	PLANE BEARING, CRANKSHAFT 1	6	UR GREEN
2	6BG-11416-20-00	PLANE BEARING, CRANKSHAFT 1	6	UR PINK
2	6BG-11416-10-00	PLANE BEARING, CRANKSHAFT 1	6	UR RED
3	6C5-11650-10-00	CONNECTING ROD ASSY	2	
4	6C5-11654-00-00	. .BOLT, CONNECTING ROD	2	
5	6CJ-11656-10-00	PLANE BEARING, CONNECTING ROD	4	UR RED
5	6CJ-11656-30-00	PLANE BEARING, CONNECTING ROD	4	UR GREEN
5	6CJ-11656-20-00	PLANE BEARING, CONNECTING ROD	4	UR PINK
6	69W-11631-01-97	PISTON (STD)	2	
6	69W-11636-01-00	PISTON (0.50MM O/S)	2	AP
6	69W-11635-01-00	PISTON (0.25MM O/S)	2	AP
7	67C-11605-00-00	PISTON RING SET (0.50MM O/S)	2	AP
7	67C-11604-00-00	PISTON RING SET (0.25MM O/S)	2	AP
7	67C-11603-00-00	PISTON RING SET (STD)	2	
8	62Y-11633-00-00	PIN, PISTON	2	
9	93450-17129-00	.CIRCLIP	4	
10	6BL-11665-00-00	CONNECTING ROD ASSY 3	1	
11	6BL-11642-00-00	PISTON 2 (STD)	1	
12	90170-20137-00	NUT	1	

CONTINUED ON NEXT FRAME >

  
6BP1100-H030

# CRANKSHAFT PISTON

Ref No.	Part Number	Description	Qty	Remarks
13	93102-43M42-00	.OIL SEAL	1	
14	93101-35002-00	.OIL SEAL	1	



6BP1100-H030