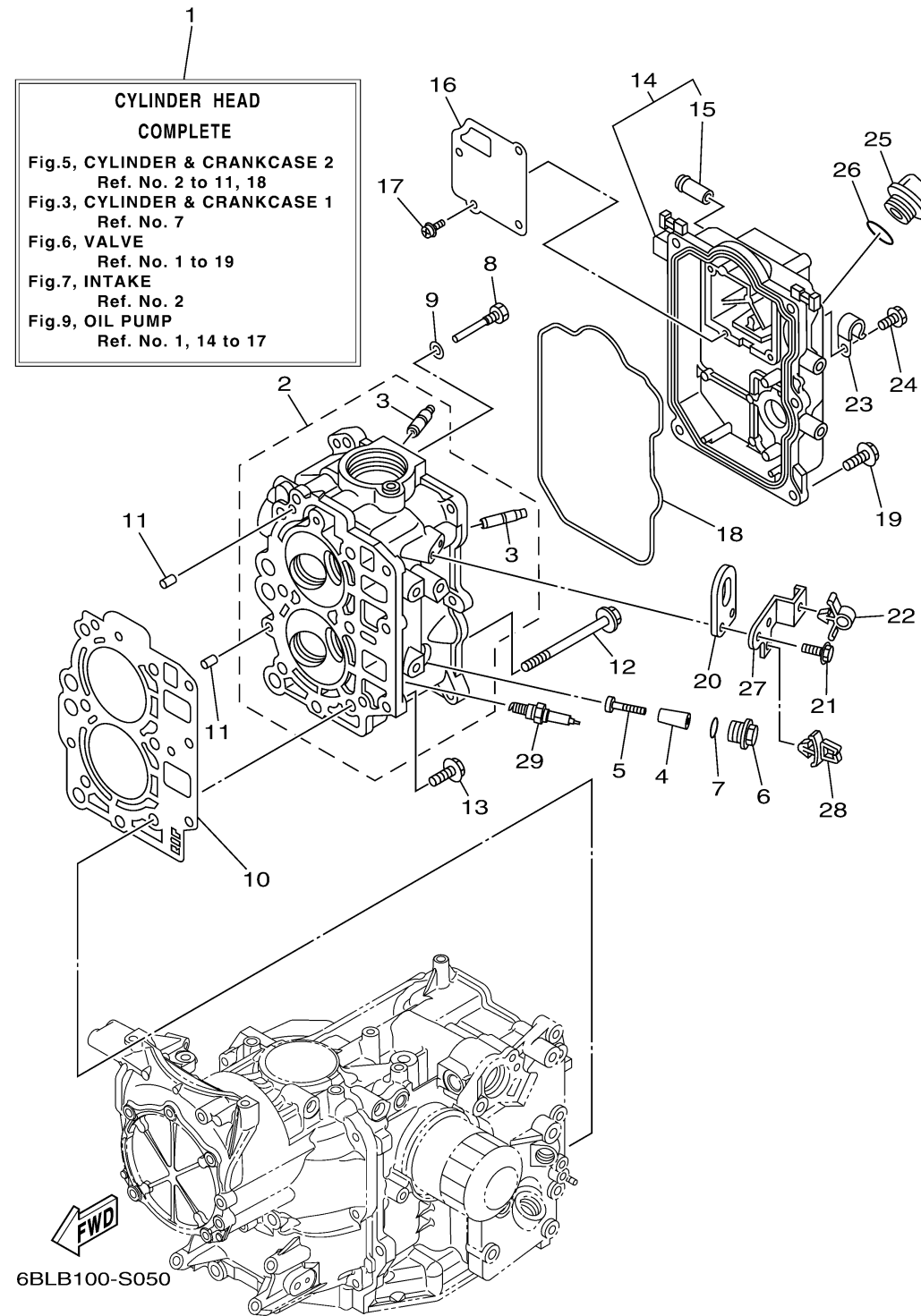
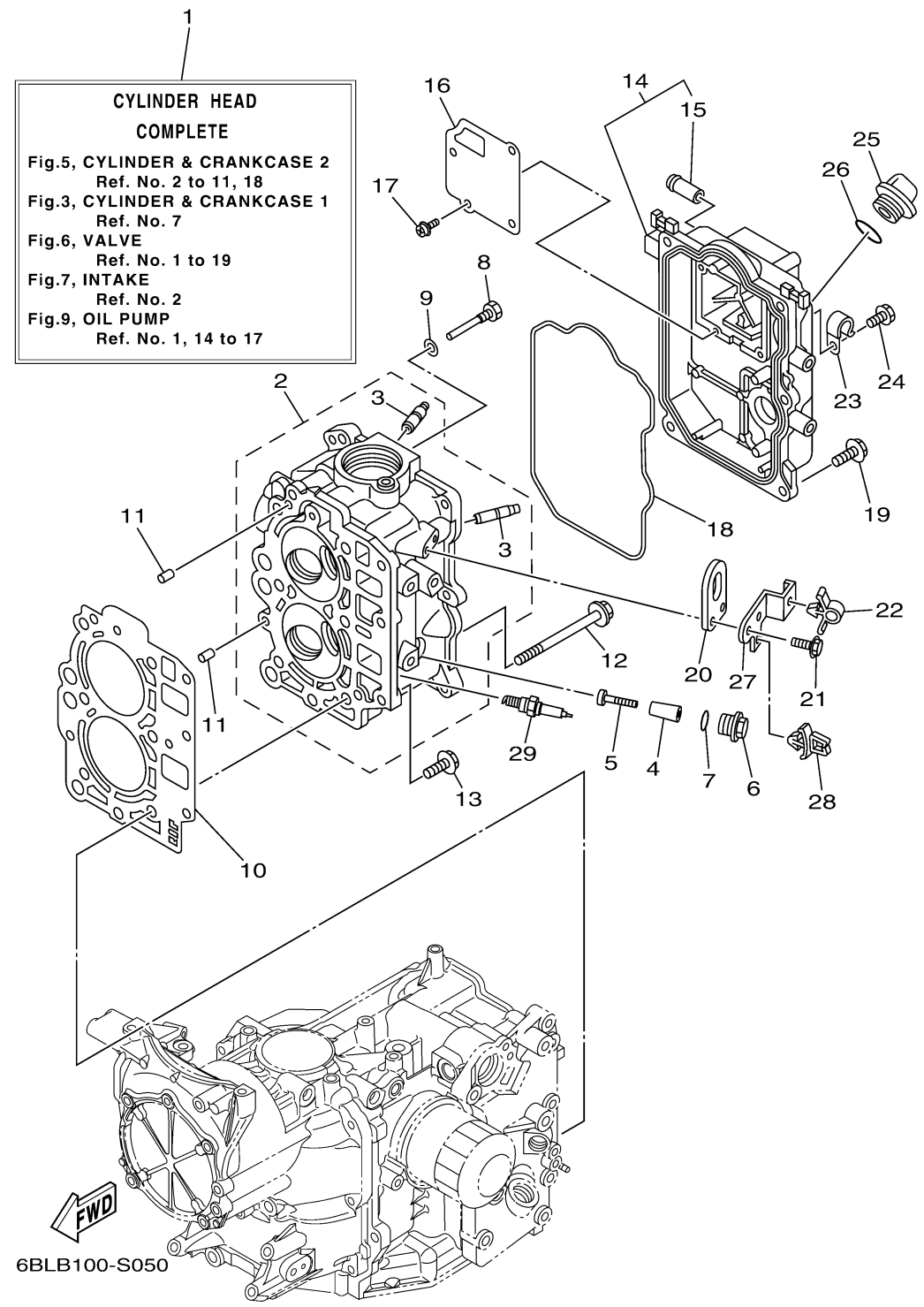


CYLINDER CRANKCASE 2



Ref No.	Part Number	Description	Qty	Remarks
1	6BL-W009A-10-1S	CYLINDER HEAD COMPLETE	1	
2	6BL-11111-10-1S	HEAD, CYLINDER 1	1	
3	62Y-11133-30-00	. .GUIDE, VALVE 1	4	
4	6BL-11325-00-00	ANODE	2	
5	98980-05035-00	SCREW, BIND	2	
6	6G8-11197-A0-00	PLUG, BLIND	2	
7	93210-13M63-00	O-RING	2	
8	90109-06M65-00	BOLT	1	
9	90430-06014-00	GASKET	1	
10	6BL-11181-00-00	.GASKET, CYLINDER HEAD 1	1	
11	93606-12019-00	.PIN, DOWEL	2	
12	90105-09009-00	BOLT, FLANGE	6	
13	90119-06MA3-00	BOLT, WITH WASHER	3	
14	6BL-11191-00-1S	COVER, CYLINDER HEAD 1	1	
15	62Y-14485-00-00	. .PIPE, JOINT	1	
16	6BG-11168-00-00	COVER, BREATHER	1	
17	97607-04210-00	SCREW, WITH WASHER	4	
18	6BL-11356-00-00	.SEAL, CYLINDER 2	1	
19	97E95-06520-00	BOLT, HEXAGON W/W DEEP RECESS	5	
20	62Y-11119-00-00	HANGER, ENGINE	1	

CONTINUED ON NEXT FRAME >



CYLINDER CRANKCASE 2

Ref No.	Part Number	Description	Qty	Remarks
21	97E95-06520-00	BOLT, HEXAGON W/W DEEP RECESS	2	
22	90464-09023-00	CLAMP	1	
23	90465-08M83-00	CLAMP	1	
24	97E95-06512-00	BOLT, HEXAGON W/W DEEP RECESS	1	
25	6G8-15363-00-00	PLUG, OIL	1	
26	93210-24M79-00	.O-RING	1	
27	6BL-82398-00-00	PLATE 3	1	
28	90464-06001-00	CLAMP	1	
29	DPR-6EB90-00-00	PLUG, SPARK (NGK DPR6EB-9)	2	