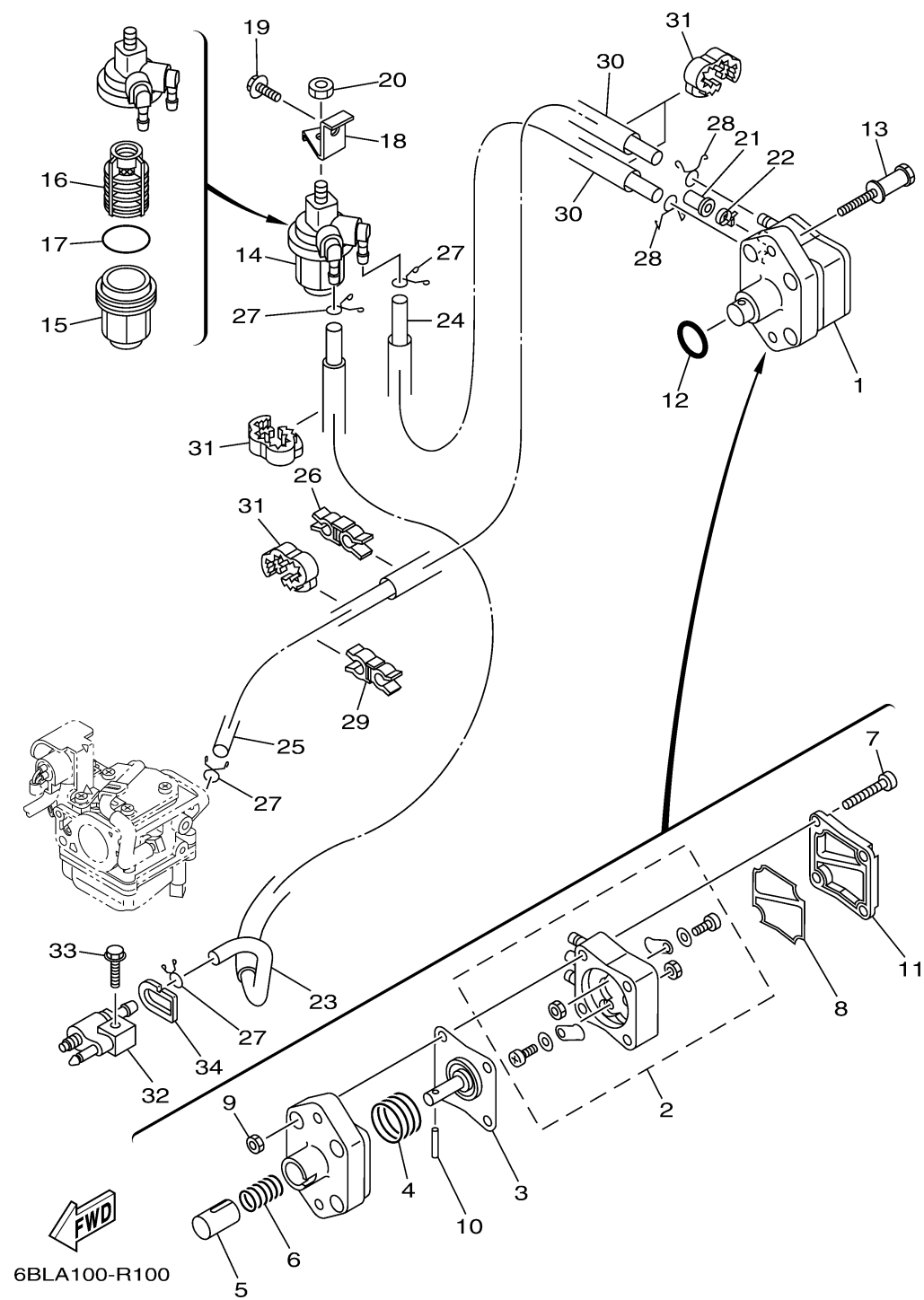


FUEL

| Ref No. | Part Number | Description | Qty | Remarks |
|---------|-----------------|--------------------------|-----|---------|
| 1 | 62Y-24410-04-00 | FUEL PUMP ASSY | 1 | |
| 2 | 62Y-24415-01-00 | ..BODY 4 | 1 | |
| 3 | 62Y-24411-02-00 | ..DIAPHRAGM | 1 | |
| 4 | 62Y-24423-00-00 | ..SPRING, DIAPHRAGM | 1 | |
| 5 | 62Y-13131-01-00 | ..PLUNGER | 1 | |
| 6 | 62Y-24454-00-00 | ..SPRING | 1 | |
| 7 | 62Y-24444-01-00 | ..SCREW | 4 | |
| 8 | 6C5-24471-00-00 | ..DIAPHRAGM | 1 | |
| 9 | 95380-05600-00 | ..NUT | 4 | |
| 10 | 62Y-24374-01-00 | ..PIN | 1 | |
| 11 | 6C5-24414-00-00 | ..BODY 3 | 1 | |
| 12 | 93210-24M79-00 | ..O-RING | 1 | |
| 13 | 90109-06266-00 | BOLT | 2 | |
| 14 | 61N-24560-10-00 | FILTER ASSY | 1 | |
| 15 | 61N-24521-00-00 | ..CUP, FILTER | 1 | |
| 16 | 61N-24563-10-00 | ..ELEMENT, FILTER | 1 | |
| 17 | 93210-32738-00 | ..O-RING | 1 | |
| 18 | 6D5-24566-00-00 | BRACKET, FILTER | 1 | |
| 19 | 95D95-08016-00 | BOLT, FLANGE DEEP RECESS | 1 | |
| 20 | 95380-08600-00 | NUT | 1 | |

CONTINUED ON NEXT FRAME >



FUEL

| Ref No. | Part Number | Description | Qty | Remarks |
|---------|-----------------|-------------------------------|-----|---------|
| 21 | 6BL-24481-00-00 | PLUG | 1 | |
| 22 | 90465-11M10-00 | CLAMP | 1 | |
| 23 | 6BL-24311-10-00 | PIPE, FUEL 1 | 1 | |
| 24 | 90445-10050-00 | HOSE (L150) | 1 | |
| 25 | 90445-10053-00 | HOSE (L350) | 1 | |
| 26 | 90464-11009-00 | CLAMP | 1 | |
| 27 | 90467-09M17-00 | CLIP | 4 | |
| 28 | 90467-10M04-00 | CLIP | 2 | |
| 29 | 90464-11009-00 | CLAMP | 1 | |
| 30 | 90446-15003-00 | HOSE (L100) | 2 | |
| 31 | 90464-13227-00 | CLAMP | 4 | |
| 32 | 6G1-24304-10-00 | FUEL PIPE JOINT COMP. 1 | 1 | |
| 33 | 97E95-06525-00 | BOLT, HEXAGON W/W DEEP RECESS | 1 | |
| 34 | 61N-24329-00-00 | SEAL | 1 | |