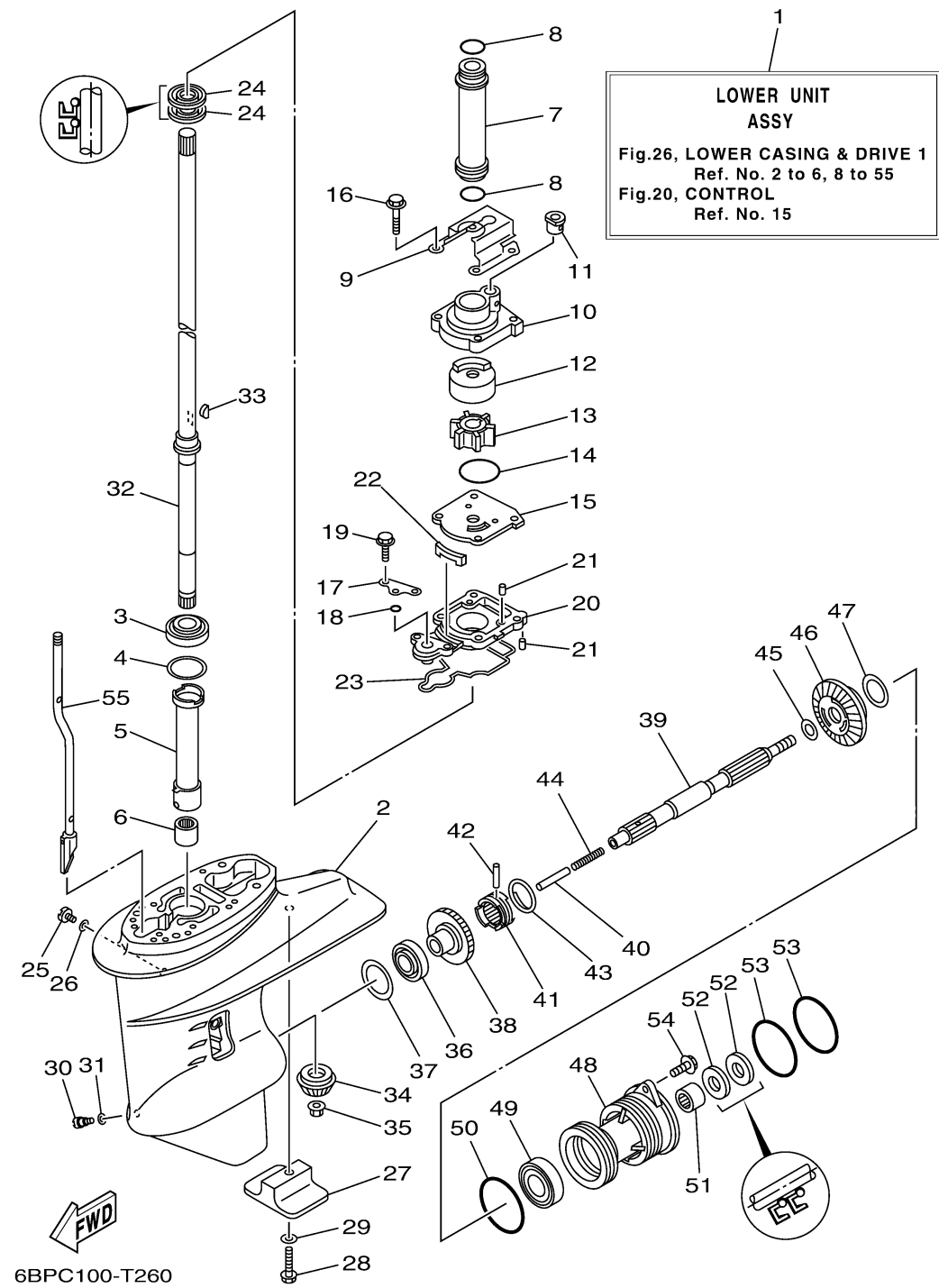


LOWER CASING DRIVE 1

Ref No.	Part Number	Description	Qty	Remarks
1	65W-45300-13-8D	LOWER UNIT ASSY	1	L(21.7")
2	61N-45311-02-8D	CASING, LOWER	1	
3	93332-000W5-00	BEARING	1	
4	61N-45587-30-00	SHIM (T:1.2MM)	1	UR
4	61N-45587-20-00	SHIM (T:1.1MM)	1	UR
4	61N-45587-10-00	SHIM (T:1.0MM)	1	UR
4	61N-45587-00-00	SHIM (T:0.7MM)	1	UR
4	61N-45587-40-00	SHIM (T:1.3MM)	1	UR
4	61N-45587-70-00	SHIM (T:1.6MM)	1	UR
4	61N-45587-60-00	SHIM (T:1.5MM)	1	UR
4	61N-45587-50-00	SHIM (T:1.4MM)	1	UR
5	61N-45536-00-00	SLEEVE, DRIVE SHAFT	1	
6	93315-220V7-00	BEARING	1	
7	61N-44362-10-00	TUBE, WATER 2	1	L(21.7")
8	93210-26130-00	.O-RING	2	L(21.7")
9	65W-44328-11-00	PLATE	1	L(21.7")
10	61N-44311-01-00	.HOUSING, WATER PUMP	1	
11	6L2-44367-00-00	.DAMPER, WATER SEAL 3	1	
12	61N-44322-01-00	.INSERT, CARTRIDGE	1	
13	6H4-44352-02-00	.IMPELLER	1	

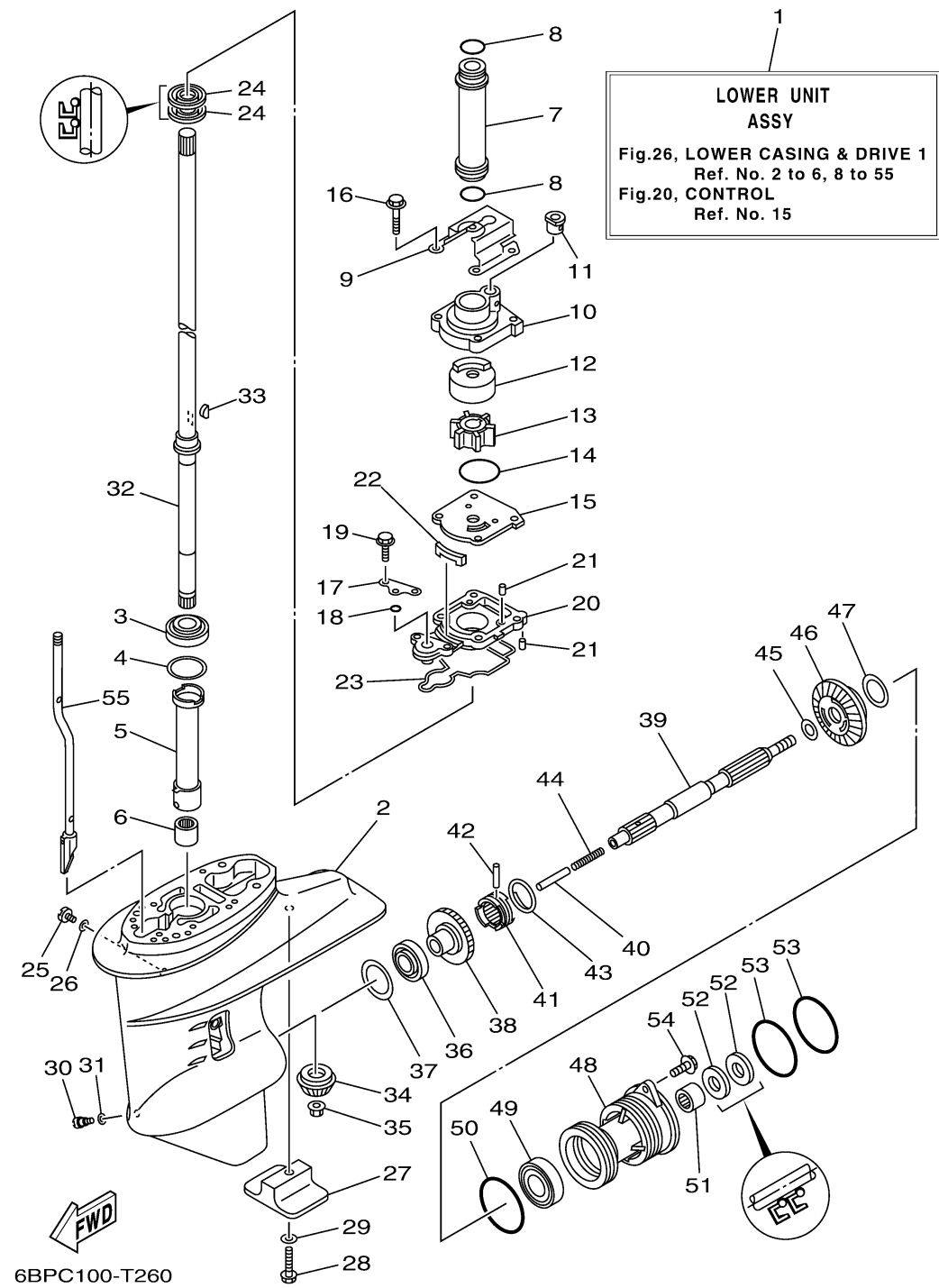
CONTINUED ON NEXT FRAME >



LOWER CASING DRIVE 1

Ref No.	Part Number	Description	Qty	Remarks
14	93210-45161-00	.O-RING	1	
15	61N-44323-00-00	.OUTER PLATE, CARTRIDGE	1	
16	97E95-06540-00	BOLT, HEXAGON W/W DEEP RECESS	4	
17	65W-44176-00-00	BRACKET	1	
18	93210-06ME6-00	O-RING	1	
19	97E95-06525-00	BOLT, HEXAGON W/W DEEP RECESS	2	
20	65W-45331-00-CA	HOUSING, BEARING	1	
21	93604-10M03-00	.PIN, DOWEL	3	
22	61N-45127-00-00	SEAL	1	
23	61N-45315-00-00	.PACKING, LOWER CASING	1	
24	93101-22067-00	.OIL SEAL	2	
25	90340-08002-00	PLUG, STRAIGHT SCREW	1	
26	90430-08003-00	.GASKET	1	
27	61N-45251-01-00	ANODE	1	
28	95D95-06035-00	BOLT, FLANGE DEEP RECESS	1	
29	92990-06300-00	WASHER, INTERNAL TOOTH	1	
30	688-45341-10-00	PLUG, DRAIN	1	
31	90430-08003-00	.GASKET	1	
32	61N-45510-10-00	DRIVE SHAFT ASSY	1	L(21.7")
33	90280-03024-00	.KEY, WOODRUFF	1	

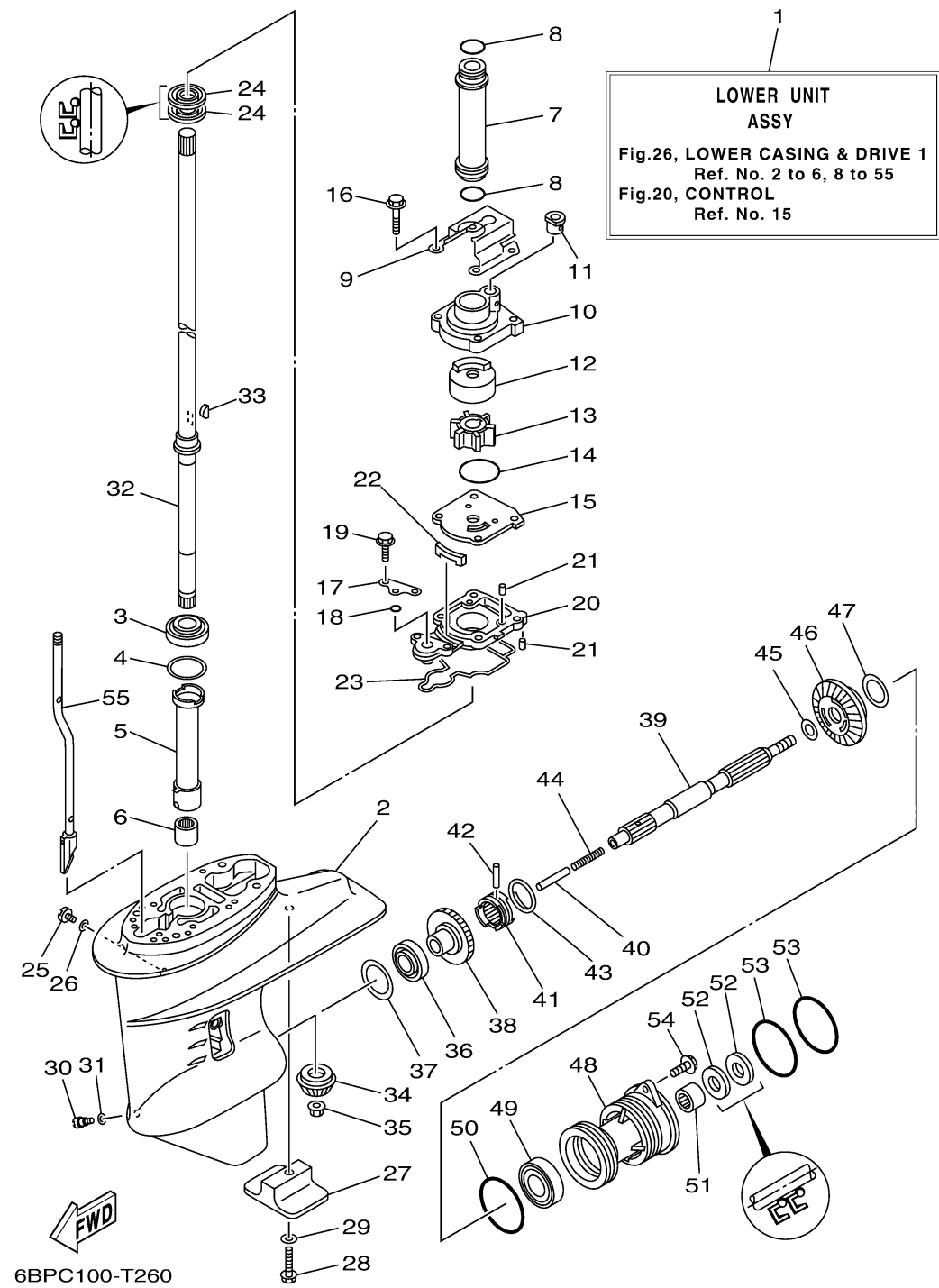
CONTINUED ON NEXT FRAME >



LOWER CASING DRIVE 1

Ref No.	Part Number	Description	Qty	Remarks
34	61N-45551-00-00	PINION (13T)	1	
35	90179-10M14-00	NUT	1	
36	93332-00005-00	BEARING	1	
37	6L2-45567-00-00	SHIM (T:1.0MM)	1	UR
37	6L2-45567-10-00	SHIM (T:1.1MM)	1	UR
37	6L2-45567-20-00	SHIM (T:1.2MM)	1	UR
37	6L2-45567-30-00	SHIM (T:1.3MM)	1	UR
37	6L2-45567-40-00	SHIM (T:1.4MM)	1	UR
38	61N-45560-10-00	GEAR 1 (27T)	1	
39	65W-45611-00-00	SHAFT, PROPELLER	1	
40	648-45635-00-00	PLUNGER, SHIFT	1	
41	6FM-45631-00-00	CLUTCH, DOG	1	
42	90250-05010-00	PIN, STRAIGHT	1	
43	648-45633-11-00	RING, CROSS PIN	1	
44	90501-10065-00	SPRING, COMPRESSION	1	
45	90201-20417-00	WASHER, PLATE	1	
46	61N-45571-00-00	GEAR 2 (27T)	1	
47	6L2-45577-00-00	SHIM (T:1.0MM)	1	UR
47	6L2-45577-10-00	SHIM (T:1.1MM)	1	UR
47	6L2-45577-20-00	SHIM (T:1.2MM)	1	UR

CONTINUED ON NEXT FRAME >



LOWER CASING DRIVE 1

Ref No.	Part Number	Description	Qty	Remarks
47	6L2-45577-30-00	SHIM (T:1.3MM)	1	UR
48	61N-45361-01-8D	CAP, LOWER CASING	1	
49	93306-00612-00	BEARING	1	
50	93210-64ME7-00	.O-RING	1	
51	93315-22004-00	BEARING	1	
52	93101-20M07-00	.OIL SEAL	2	
53	93210-65M50-00	.O-RING	2	
54	97E75-06520-00	BOLT, HEXAGON W/W DEEP RECESS	2	
55	65W-44150-11-00	SHIFT CAM ASSY	1	L(21.7")