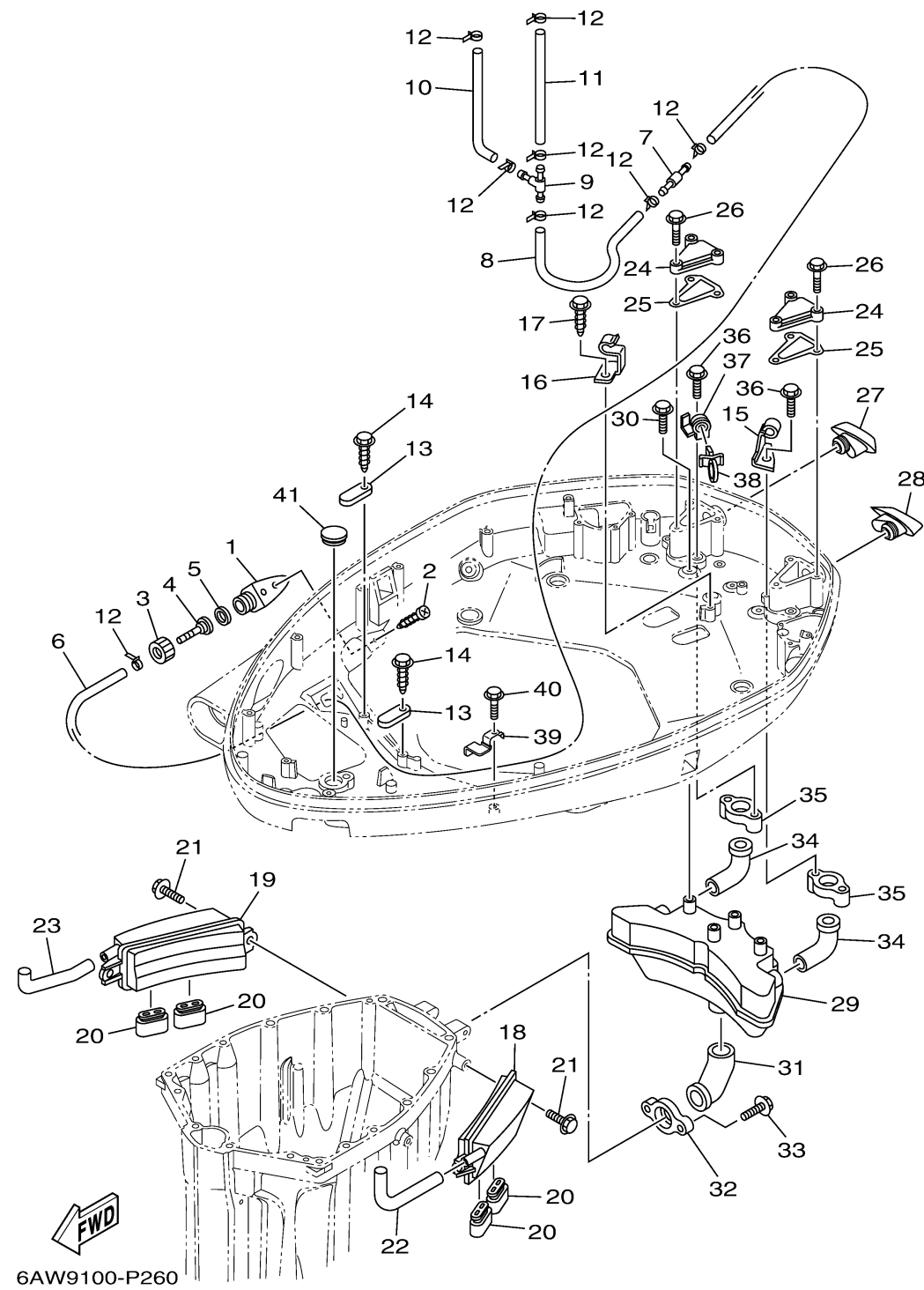


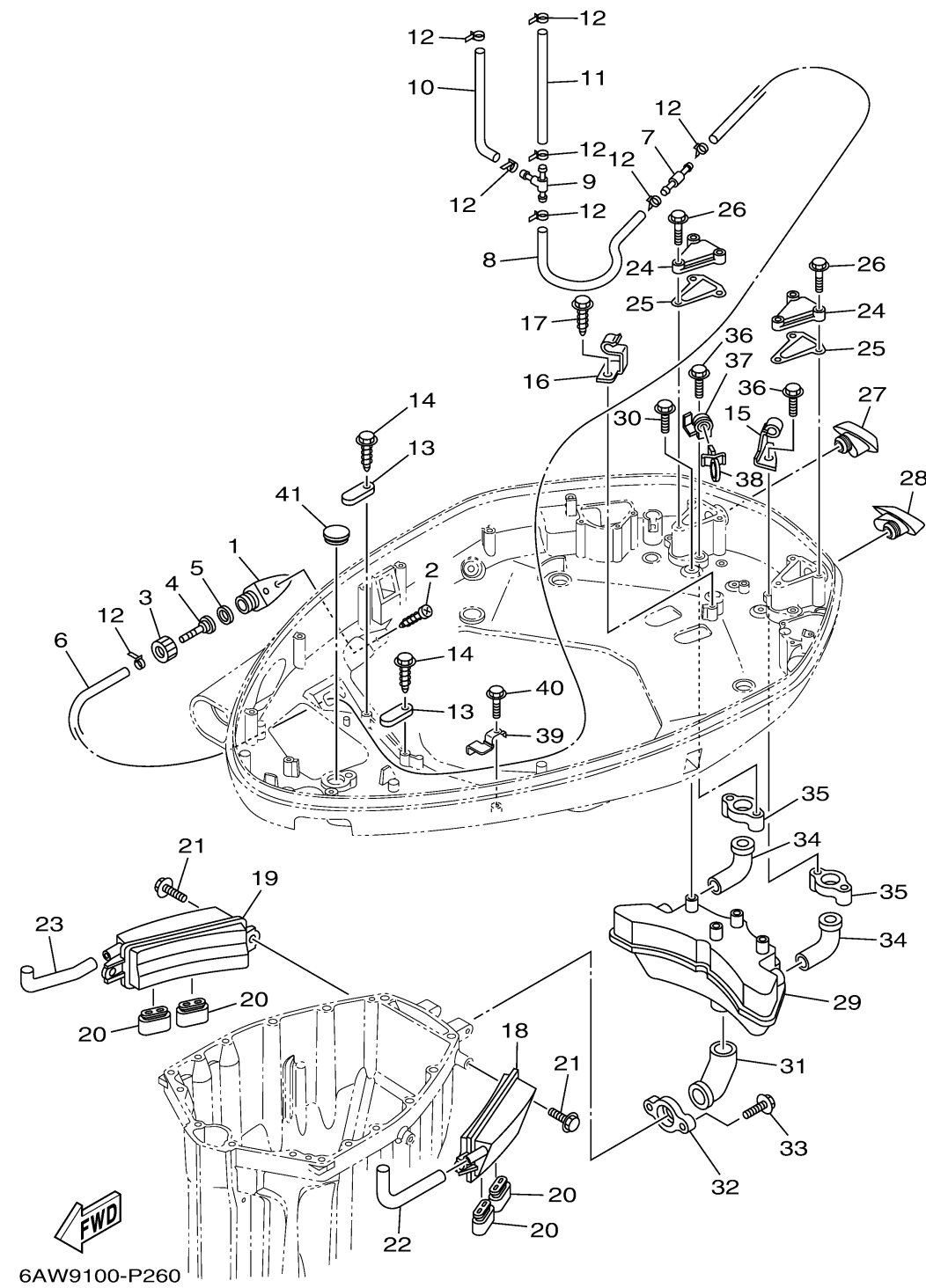
# BOTTOM COWLING 2



| Ref No. | Part Number     | Description        | Qty | Remarks |
|---------|-----------------|--------------------|-----|---------|
| 1       | 6AW-12572-00-00 | ADAPTER            | 1   |         |
| 2       | 97780-60520-00  | SCREW, TAPPING     | 2   |         |
| 3       | 6R3-12581-00-00 | JOINT, HOSE 1      | 1   |         |
| 4       | 6AW-12582-00-00 | JOINT, HOSE 2      | 1   |         |
| 5       | 6R3-12583-00-00 | GASKET, HOSE JOINT | 1   |         |
| 6       | 90445-14015-00  | HOSE (L1520)       | 1   |         |
| 7       | 6AW-42785-00-00 | PIPE               | 1   |         |
| 8       | 90445-14013-00  | HOSE (L480)        | 1   |         |
| 9       | 6AW-42169-00-00 | JOINT              | 1   |         |
| 10      | 66V-24314-00-00 | PIPE 4             | 1   |         |
| 11      | 90445-116J1-00  | HOSE (L185)        | 1   |         |
| 12      | 90465-11M10-00  | CLAMP              | 8   |         |
| 13      | 6E5-82588-00-00 | PLATE              | 2   |         |
| 14      | 90109-06M81-00  | BOLT               | 2   |         |
| 15      | 90465-08M82-00  | CLAMP              | 1   |         |
| 16      | 6AW-42744-00-00 | STAY               | 1   |         |
| 17      | 90109-06M86-00  | BOLT               | 1   |         |
| 18      | 6AW-42733-00-00 | BOX, DRAIN         | 1   |         |
| 19      | 6AW-42734-00-00 | BOX, DRAIN 2       | 1   |         |
| 20      | 69J-42717-00-00 | RUBBER, SEAL 2     | 4   |         |

CONTINUED ON NEXT FRAME >

# BOTTOM COWLING 2



| Ref No. | Part Number     | Description              | Qty | Remarks |
|---------|-----------------|--------------------------|-----|---------|
| 21      | 95D95-06016-00  | BOLT, FLANGE DEEP RECESS | 4   |         |
| 22      | 6AW-42786-00-00 | HOSE, DRAIN 1            | 1   |         |
| 23      | 6AW-42787-00-00 | HOSE, DRAIN 2            | 1   |         |
| 24      | 6AW-42723-00-9S | COVER, BOTTOM            | 2   |         |
| 25      | 6AW-42721-00-00 | GASKET 1                 | 2   |         |
| 26      | 90109-06M81-00  | BOLT                     | 6   |         |
| 27      | 6AW-42769-00-00 | SEAL, RUBBER             | 1   |         |
| 28      | 6AW-42629-00-00 | SEAL                     | 1   |         |
| 29      | 6AW-14750-00-00 | SILENCER ASSY            | 1   |         |
| 30      | 95D95-06016-00  | BOLT, FLANGE DEEP RECESS | 4   |         |
| 31      | 6AW-1475E-00-00 | PIPE 2                   | 1   |         |
| 32      | 6AW-14763-00-00 | SPACER                   | 1   |         |
| 33      | 95D75-06025-00  | BOLT, FLANGE DEEP RECESS | 2   |         |
| 34      | 6AW-1475F-00-00 | PIPE 3                   | 2   |         |
| 35      | 6AW-14764-00-CA | SPACER                   | 2   |         |
| 36      | 95D95-06016-00  | BOLT, FLANGE DEEP RECESS | 4   |         |
| 37      | 6AW-8339X-00-00 | CLAMP, CORD              | 1   |         |
| 38      | 90464-12001-00  | CLAMP                    | 1   |         |
| 39      | 6AW-42767-00-00 | BRACKET                  | 1   |         |
| 40      | 90109-06M86-00  | BOLT                     | 1   |         |

CONTINUED ON NEXT FRAME >

# BOTTOM COWLING 2

| Ref No. | Part Number    | Description | Qty | Remarks |
|---------|----------------|-------------|-----|---------|
| 41      | 90338-30256-00 | PLUG        | 1   |         |

