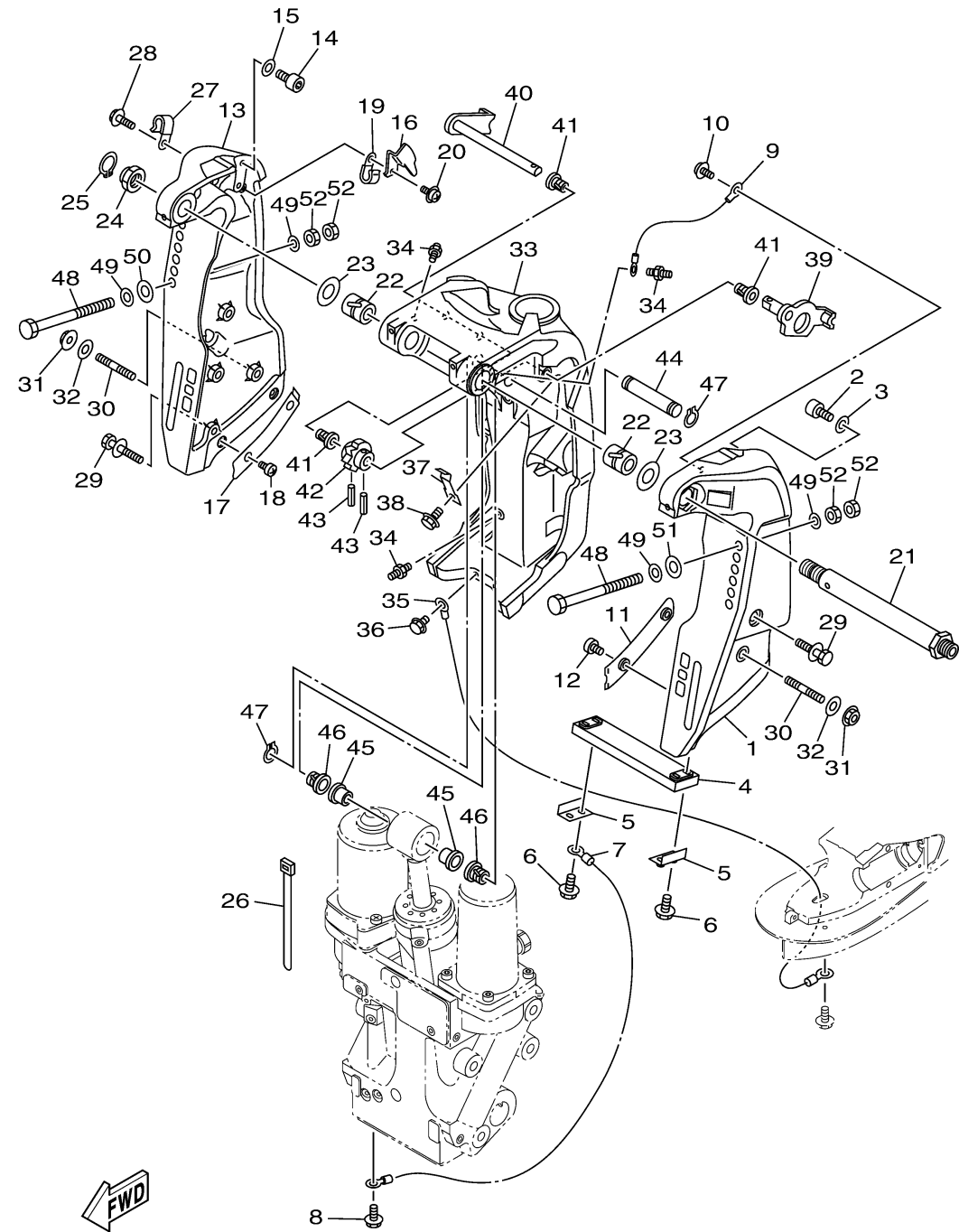


BRACKET 1

Ref No.	Part Number	Description	Qty	Remarks
1	6AW-43111-00-8D	BRACKET, CLAMP 1	1	
1	6AW-43111-00-CE	BRACKET, CLAMP 1	0	WHITE
2	91314-10020-00	BOLT, HEXAGON SOCKET HEAD	1	
3	90201-10049-00	WASHER, PLATE	1	
4	6AW-45251-00-00	ANODE	1	
5	6G5-44526-00-00	PLATE	2	
6	97E95-06530-00	BOLT, HEXAGON W/W DEEP RECESS	4	
7	6H1-82148-00-00	WIRE, LEAD 4	1	
8	97E95-06510-00	BOLT, HEXAGON W/W DEEP RECESS	1	
9	6H1-82148-00-00	WIRE, LEAD 4	1	
10	97985-06212-00	SCREW, WITH WASHER	1	
11	61A-43132-00-00	WASHER, FRICTION	1	
12	97885-06010-00	SCREW, PAN HEAD	2	
13	6AW-43112-00-8D	BRACKET, CLAMP 2	1	
13	6AW-43112-00-CE	BRACKET, CLAMP 2	0	WHITE
14	91314-10020-00	BOLT, HEXAGON SOCKET HEAD	1	
15	90201-10049-00	WASHER, PLATE	1	
16	6AW-43113-00-00	PLATE, CLAMP BRACKET	1	
17	61A-43133-00-00	WASHER, FRICTION	1	
18	97885-06010-00	SCREW, PAN HEAD	2	

CONTINUED ON NEXT FRAME >

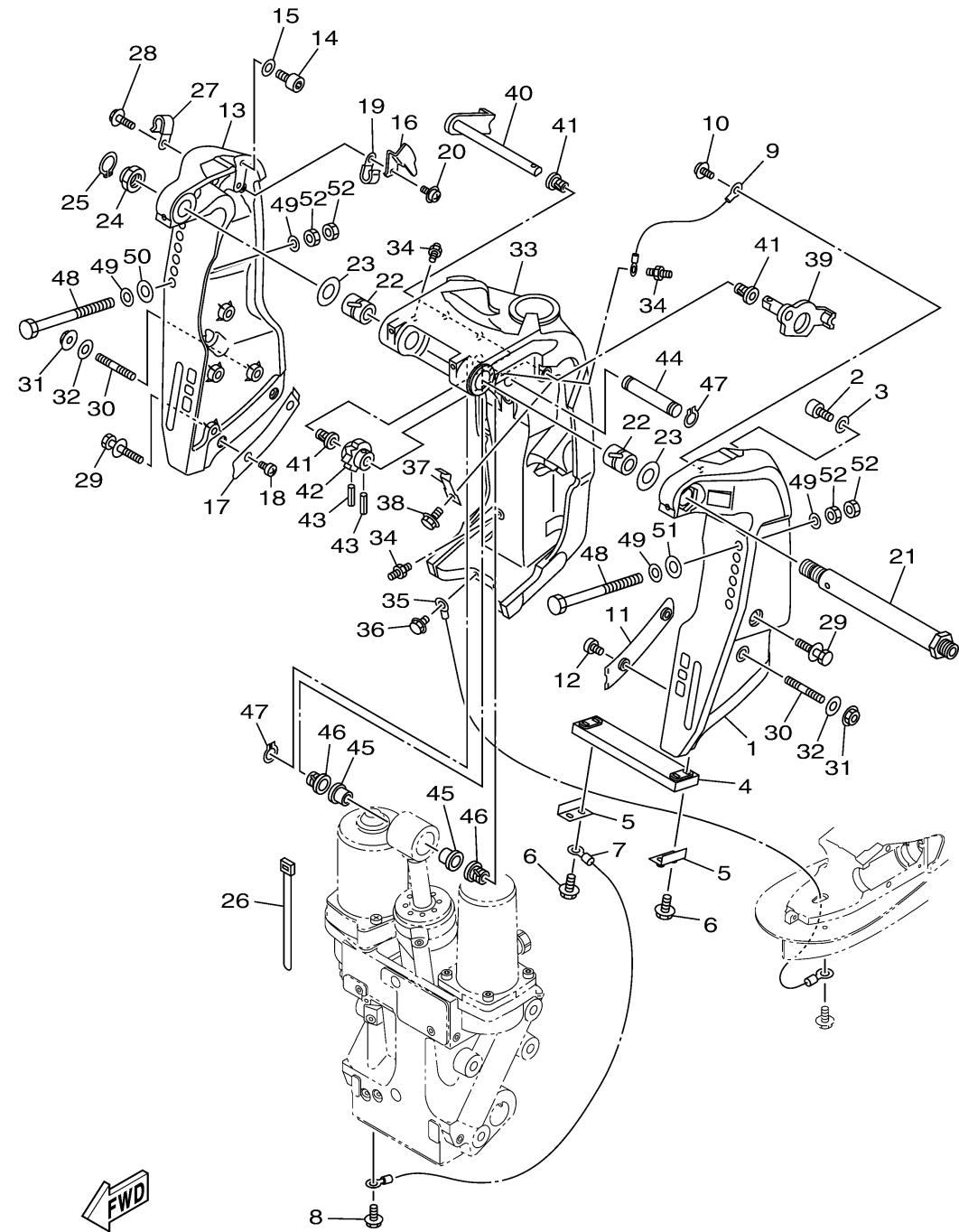


6AWB100-R290

BRACKET 1

Ref No.	Part Number	Description	Qty	Remarks
19	90465-08M83-00	CLAMP	1	
20	97985-06212-00	SCREW, WITH WASHER	1	
21	6R3-43131-10-00	BOLT, CLAMP BRACKET	1	
22	90386-25003-00	BUSH	2	
23	90201-26014-00	WASHER, PLATE	2	
24	90185-22007-00	NUT, SELF-LOCKING	1	
25	93410-21089-00	CIRCLIP	1	
26	90465-11M10-00	CLAMP	3	
27	90465-08M83-00	CLAMP	1	
28	97E95-06514-00	BOLT, HEXAGON W/W DEEP RECESS	1	
29	90119-10039-00	BOLT, WITH WASHER	6	
30	90116-10047-00	BOLT, STUD	2	
31	95780-10300-00	NUT, FLANGE	2	
32	90201-10048-00	WASHER, PLATE	2	
33	6AW-43311-00-8D	BRACKET, SWIVEL 1	1	
33	6AW-43311-00-CE	BRACKET, SWIVEL 1	0	WHITE
34	93700-06002-00	NIPPLE, GREASE	3	
35	6E5-82147-00-00	WIRE, LEAD 5	1	
36	97E95-06510-00	BOLT, HEXAGON W/W DEEP RECESS	1	
37	6AW-44116-00-00	SPRING	1	

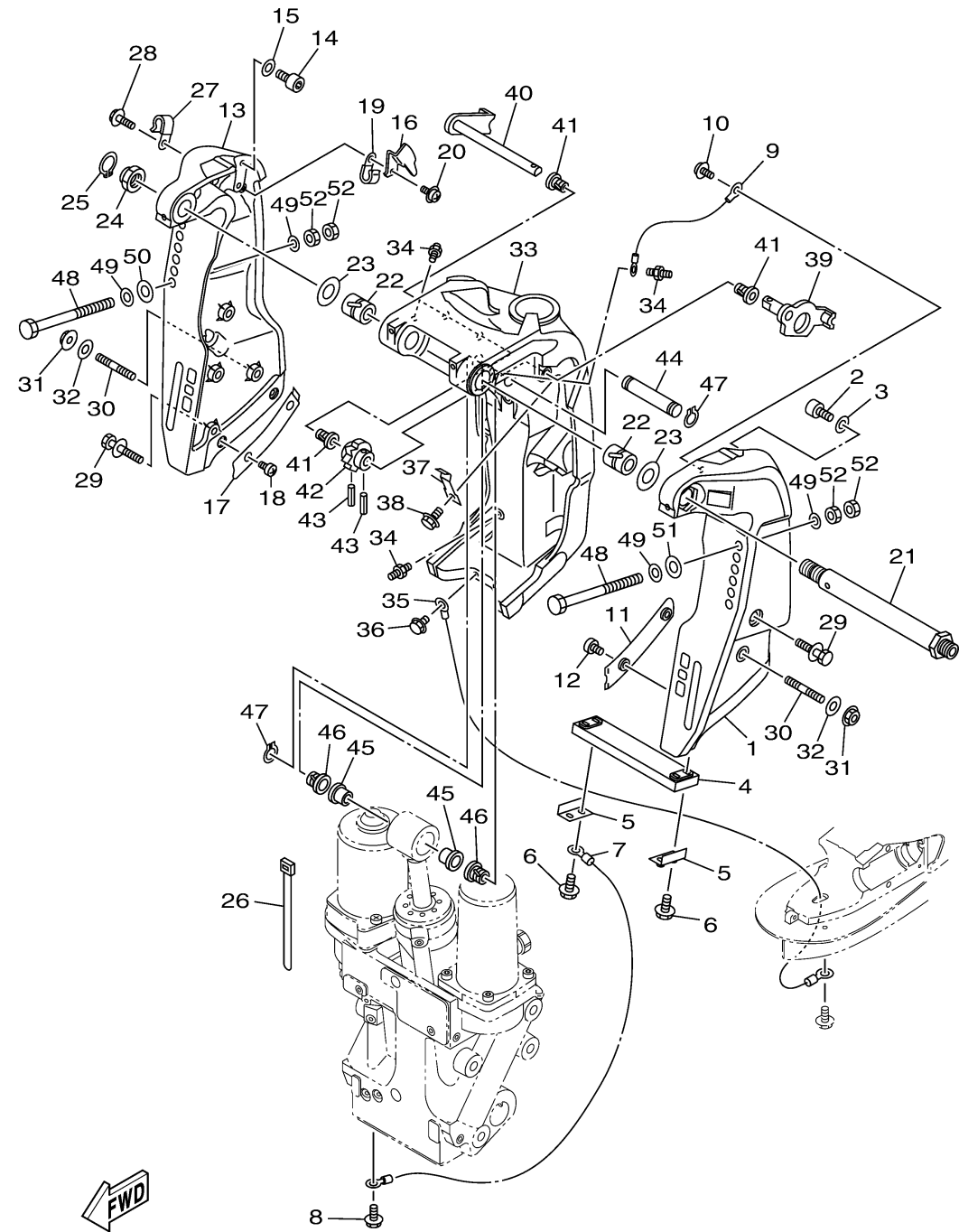
CONTINUED ON NEXT FRAME >



6AWB100-R290

BRACKET 1

Ref No.	Part Number	Description	Qty	Remarks
38	97E95-06510-00	BOLT, HEXAGON W/W DEEP RECESS	1	
39	6AW-43181-01-00	LEVER, TILT STOP 1	1	
40	6AW-43185-01-00	LEVER, TILT STOP 2	1	
41	90386-10M16-00	BUSH	3	
42	6AW-43148-00-00	COLLAR, DISTANCE	1	
43	91690-30020-00	PIN, SPRING	2	
44	6AW-43126-01-00	PIN, UPPER SHOCK MOUNT	1	
45	90386-18M63-00	BUSH	2	
46	90386-18M14-00	BUSH	2	
47	93410-18M05-00	CIRCLIP	2	
48	90101-12054-00	BOLT (180MM)	2	AP
48	90101-12055-00	BOLT (200MM)	2	AP
48	90101-12051-00	BOLT (85MM)	2	AP
48	90101-12036-00	BOLT (170MM)	2	AP
48	90101-12031-00	BOLT (150MM)	6	
49	90201-12060-00	WASHER, PLATE	12	
50	90201-12426-00	WASHER, PLATE	2	
51	90201-13M19-00	WASHER, PLATE	4	
52	95380-12600-00	NUT	12	



6AWB100-R290