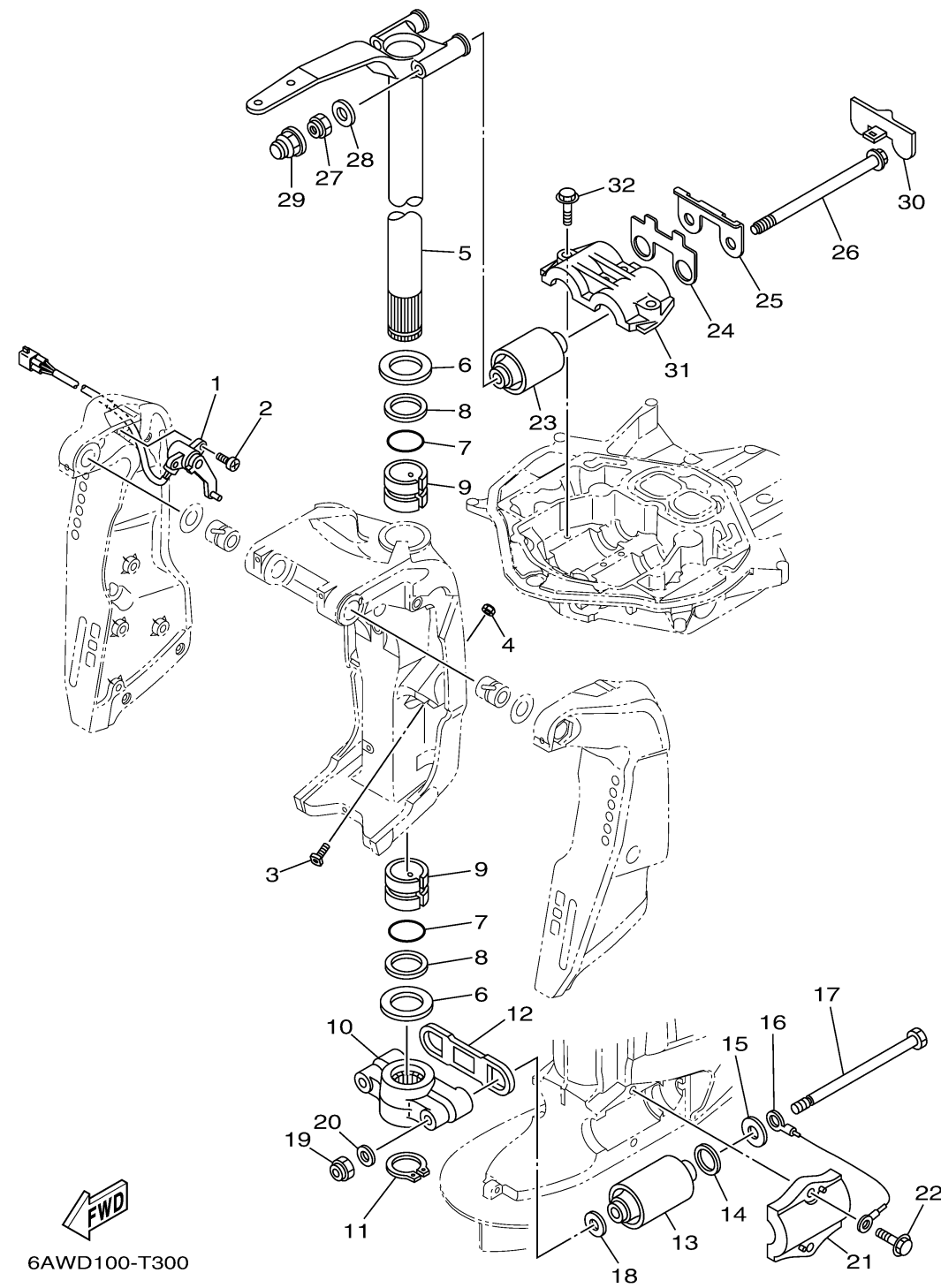


## BRACKET 2

Ref No.	Part Number	Description	Qty	Remarks
1	6AW-83672-00-00	TRIM SENDER	1	
2	97885-06016-00	SCREW, PAN HEAD	2	
3	6AW-43376-00-00	BOLT, THRUST RECEIVER	2	
4	95780-10300-00	NUT, FLANGE	2	
5	6AW-42510-01-8D	STEERING BRACKET ASSY	1	
5	6AW-42510-01-CE	STEERING BRACKET ASSY	0	WHITE
6	90201-46008-00	WASHER, PLATE	2	
7	93210-43001-00	O-RING	2	
8	90202-45001-00	WASHER, PLATE	2	
9	90386-45002-00	BUSH	2	
10	6AW-44551-00-CA	HOUSING, LOWER MOUNT RUBBER 1	1	
11	93410-44087-00	CIRCLIP	1	
12	6AW-44575-00-00	DAMPER, LOWER MOUNT RUBBER	1	
13	6AW-44555-00-00	MOUNT DAMPER, LOWER SIDE	2	
14	90202-32M19-00	WASHER, PLATE	2	
15	90201-16016-00	WASHER, PLATE	2	
16	6AW-82149-00-00	WIRE, LEAD 3	1	
17	90101-14004-00	BOLT	2	
18	90201-15M58-00	WASHER, PLATE	2	
19	90185-14M00-00	NUT, SELF-LOCKING	2	

CONTINUED ON NEXT FRAME >



## BRACKET 2

Ref No.	Part Number	Description	Qty	Remarks
20	92995-14600-00	WASHER	2	
21	6AW-44552-00-CA	HOUSING, LOWER MOUNT RUBBER 2	2	
22	90119-10024-00	BOLT, WITH WASHER	4	
23	6AW-44514-01-00	MOUNT DAMPER, UPPER SIDE	2	
24	6AW-44532-00-00	STOPPER, UPPER MOUNT	1	
25	6AW-44526-00-00	PLATE	1	
26	90105-16003-00	BOLT, FLANGE	2	
27	90185-16008-00	NUT, SELF-LOCKING	2	
28	90201-16030-00	WASHER, PLATE	2	
29	6AW-44194-00-00	CAP	2	
30	6AW-44533-00-00	DAMPER, UPPER MOUNT RUBBER	1	
31	6AW-44511-01-CA	COVER, UPPER MOUNT	1	
32	90119-10024-00	BOLT, WITH WASHER	4	