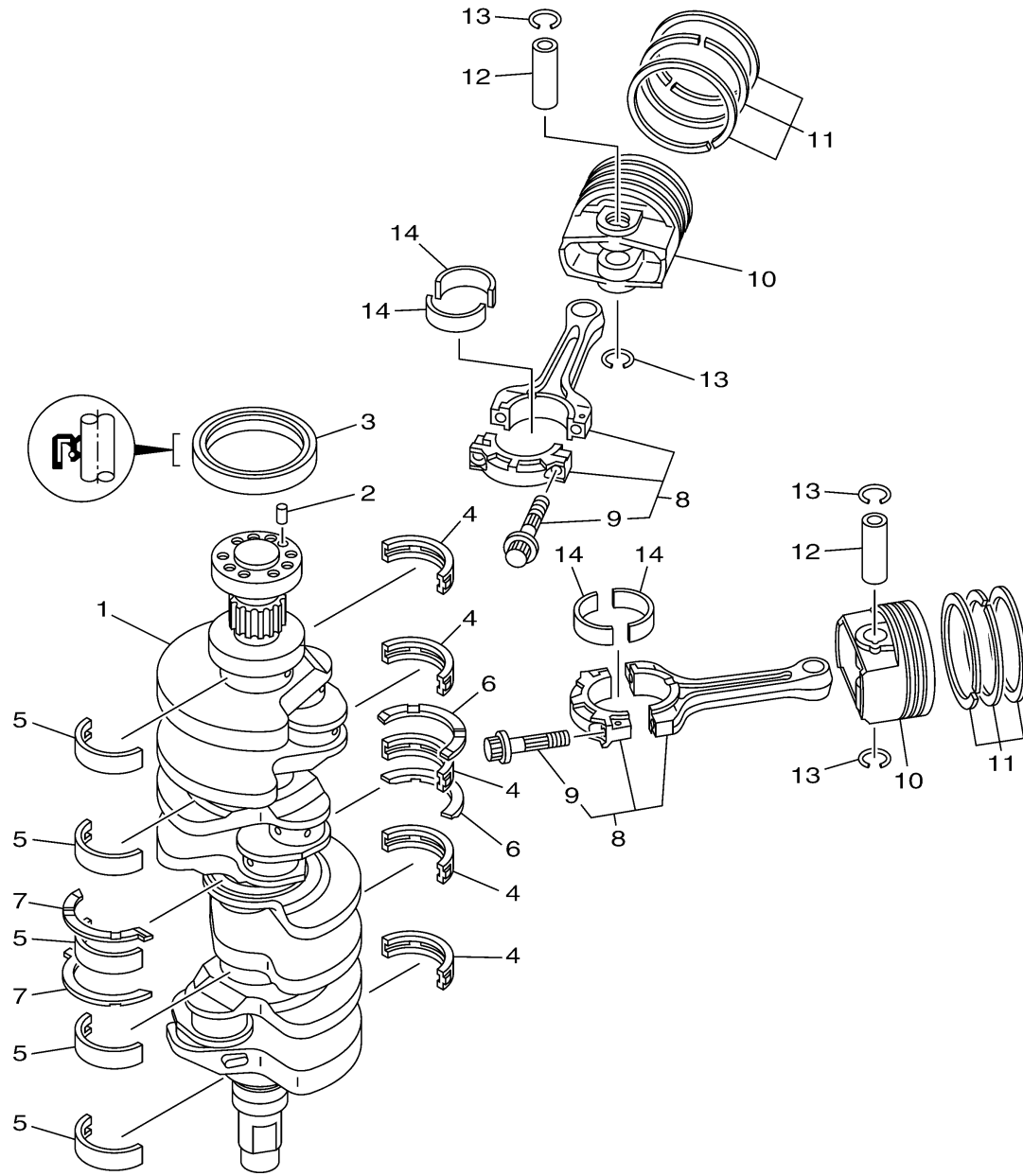


CRANKSHAFT PISTON



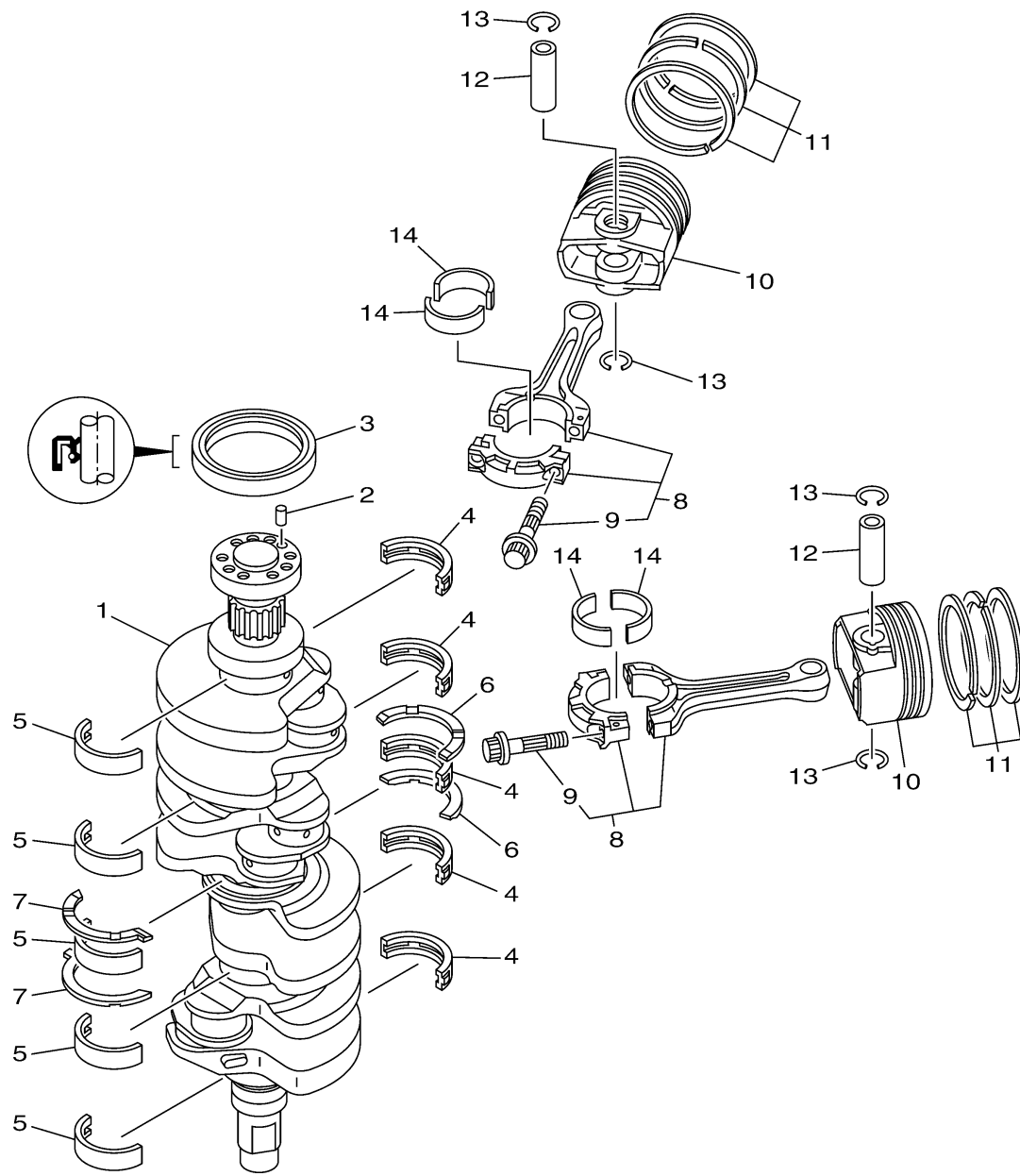
FWD
6AW6100-L030

Ref No.	Part Number	Description	Qty	Remarks
1	6AW-11411-10-00	CRANKSHAFT	1	
2	93606-12019-00	PIN, DOWEL	1	
3	93102-85004-00	.OIL SEAL	1	
4	6AW-11416-00-00	PLANE BEARING, CRANKSHAFT 1	5	UR YELLOW
4	6AW-11416-40-00	PLANE BEARING, CRANKSHAFT 1	5	UR BLUE
4	6AW-11416-20-00	PLANE BEARING, CRANKSHAFT 1	5	UR BROWN
4	6AW-11416-10-00	PLANE BEARING, CRANKSHAFT 1	5	UR GREEN
4	6AW-11416-30-00	PLANE BEARING, CRANKSHAFT 1	5	UR BLACK
5	6AW-11417-10-00	PLANE BEARING, CRANKSHAFT 2	5	UR GREEN
5	6AW-11417-20-00	PLANE BEARING, CRANKSHAFT 2	5	UR BROWN
5	6AW-11417-30-00	PLANE BEARING, CRANKSHAFT 2	5	UR BLACK
5	6AW-11417-40-00	PLANE BEARING, CRANKSHAFT 2	5	UR BLUE
5	6AW-11417-00-00	PLANE BEARING, CRANKSHAFT 2	5	UR YELLOW
6	6AW-11426-01-00	BEARING, THRUST 1	2	
7	6AW-11427-01-00	BEARING, THRUST 2	2	
8	6AW-W1165-00-00	CONNECTING ROD ASSY	8	
9	63P-11654-10-00	. .BOLT, CONNECTING ROD	2	
10	6AW-11631-10-93	PISTON (STD)	8	
11	6AW-11603-00-00	PISTON RING SET (STD)	8	
12	63P-11633-10-00	PIN, PISTON	8	

CONTINUED ON NEXT FRAME >

CRANKSHAFT PISTON

Ref No.	Part Number	Description	Qty	Remarks
13	63P-11634-00-00	CLIP, PISTON PIN	16	
14	6AW-11656-30-00	PLANE BEARING, CONNECTING ROD	16	UR PURPLE
14	6AW-11656-00-00	PLANE BEARING, CONNECTING ROD	16	UR GREEN
14	6AW-11656-10-00	PLANE BEARING, CONNECTING ROD	16	UR BLUE
14	6AW-11656-20-00	PLANE BEARING, CONNECTING ROD	16	UR RED



FWD
6AW6100-L030