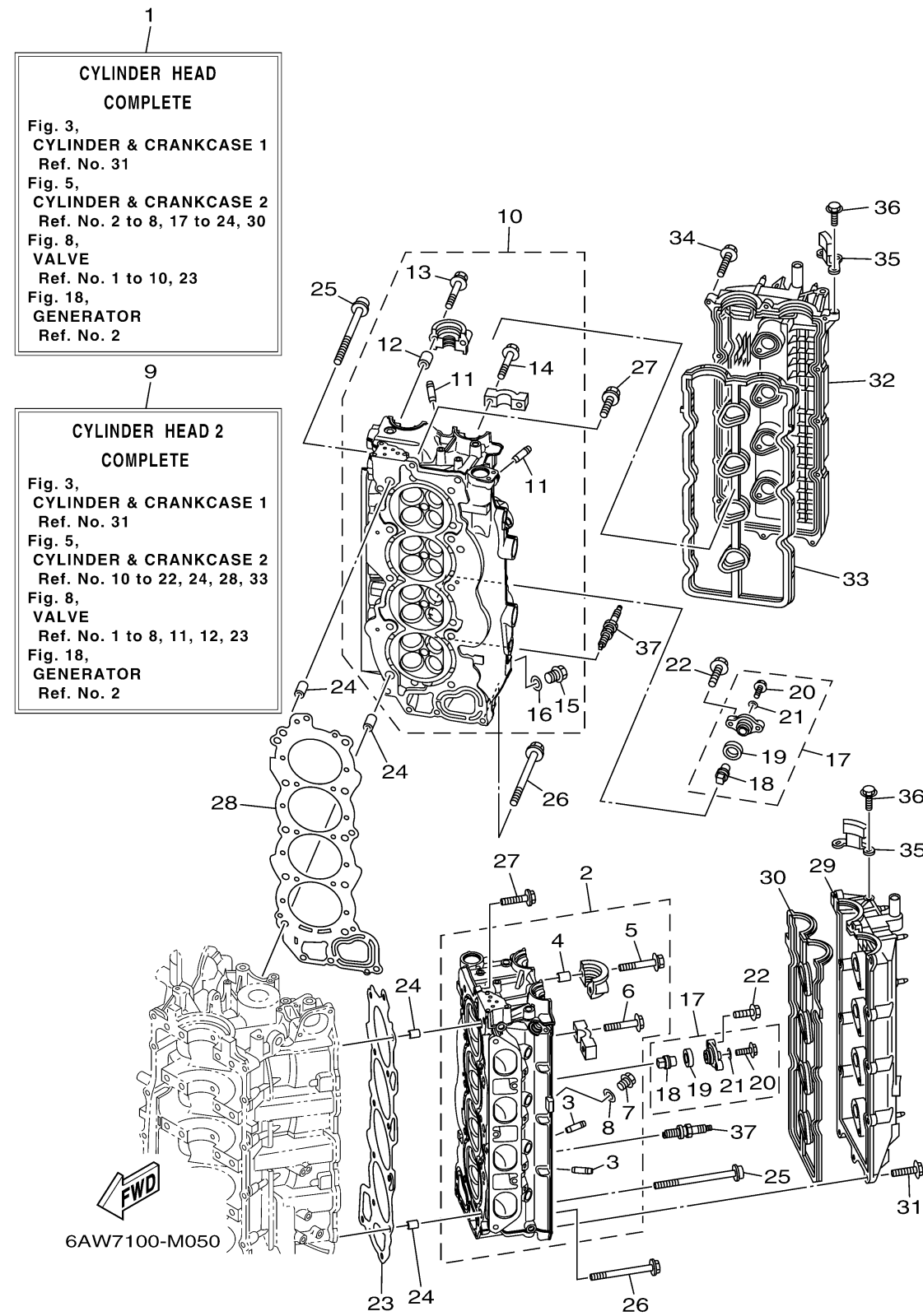
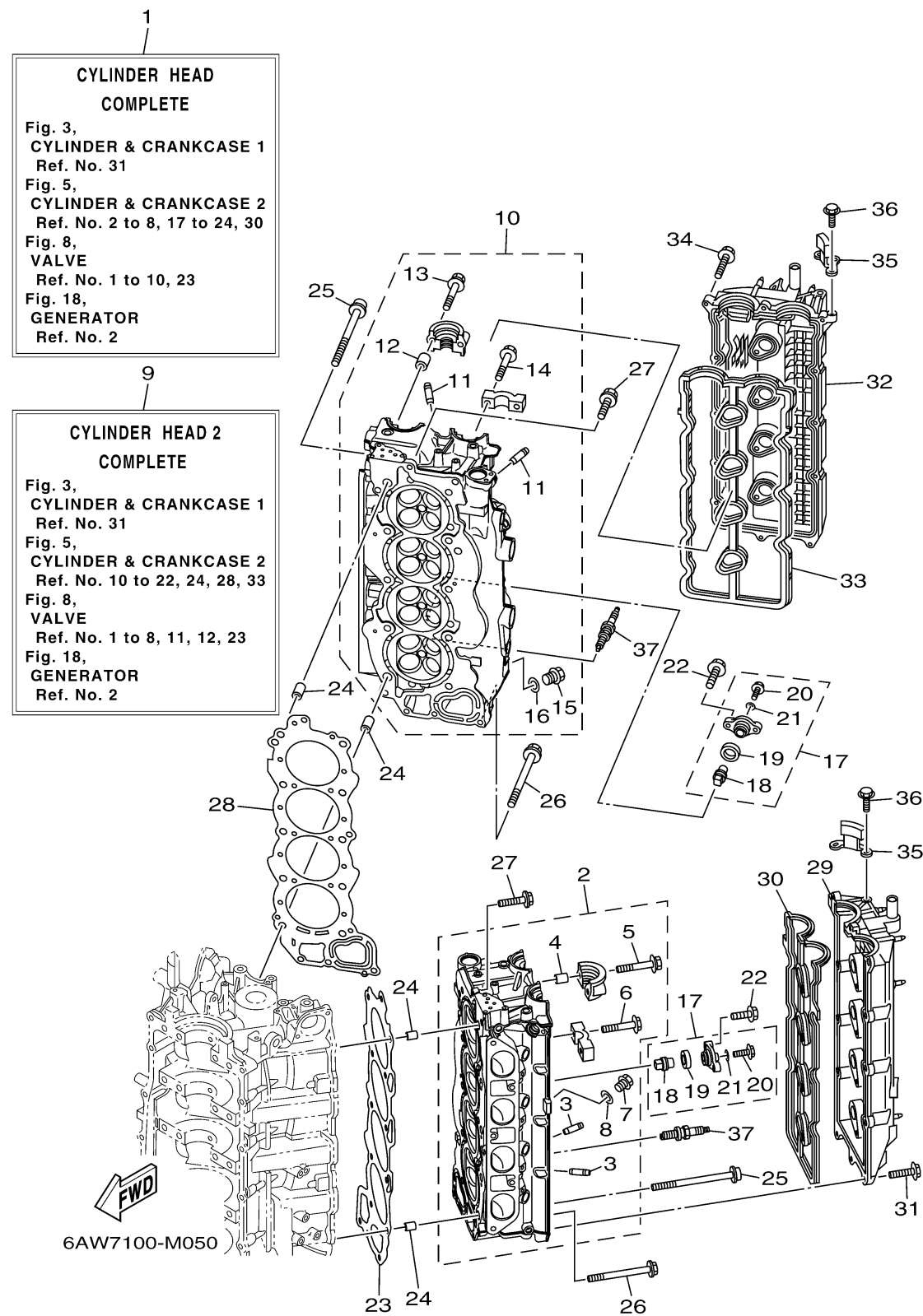


# CYLINDER CRANKCASE 2



Ref No.	Part Number	Description	Qty	Remarks
1	6AW-W009A-02-9S	CYLINDER HEAD COMPLETE	1	
2	6AW-11110-10-00	CYLINDER HEAD ASSY	1	
3	6S5-11133-10-00	. .GUIDE, VALVE 1	16	
4	91809-08006-00	. .PIN, DOWEL	4	
5	90119-07001-00	. .BOLT, WITH WASHER	4	
6	90119-07234-00	. .BOLT, WITH WASHER	16	
7	90340-18M09-00	. .PLUG, STRAIGHT SCREW	1	
8	90201-186F1-00	. .WASHER, PLATE	1	
9	6AW-W009C-02-9S	CYLINDER HEAD 2 COMPLETE	1	
10	6AW-11120-10-00	CYLINDER HEAD ASSY 2	1	
11	6S5-11133-10-00	. .GUIDE, VALVE 1	16	
12	91809-08006-00	. .PIN, DOWEL	4	
13	90119-07001-00	. .BOLT, WITH WASHER	4	
14	90119-07234-00	. .BOLT, WITH WASHER	16	
15	90340-18M09-00	. .PLUG, STRAIGHT SCREW	1	
16	90201-186F1-00	. .WASHER, PLATE	1	
17	67F-11301-00-00	ANODE COVER ASSY	10	
18	67F-11325-01-00	. .ANODE	1	
19	67F-11328-00-00	. .GROMMET, ANODE	1	
20	90105-06M07-00	. .BOLT, FLANGE	1	

CONTINUED ON NEXT FRAME >



## CYLINDER CRANKCASE 2

Ref No.	Part Number	Description	Qty	Remarks
21	90430-06M03-00	.GASKET	1	
22	95D95-08025-00	BOLT, FLANGE DEEP RECESS	20	
23	6AW-11181-00-00	.GASKET, CYLINDER HEAD 1	1	
24	90387-11005-00	COLLAR	4	
25	90149-11001-00	SCREW	20	
26	90105-08220-00	BOLT, FLANGE	6	
27	90119-08115-00	BOLT, WITH WASHER	2	
28	6AW-11182-00-00	.GASKET, CYLINDER HEAD 2	1	
29	6AW-11191-10-00	COVER, CYLINDER HEAD 1	1	
30	6AW-11193-10-00	.GASKET, HEAD COVER 1	1	
31	95D95-06030-00	BOLT, FLANGE DEEP RECESS	16	
32	6AW-11192-10-00	COVER, CYLINDER HEAD 2	1	
33	6AW-11194-10-00	.GASKET, HEAD COVER 2	1	
34	95D95-06030-00	BOLT, FLANGE DEEP RECESS	16	
35	6AW-15142-00-00	GUIDE 1	2	
36	95D95-06014-00	BOLT, FLANGE DEEP RECESS	4	
37	LFR-6A110-00-00	PLUG, SPARK (NGK LFR6A-11)	8	