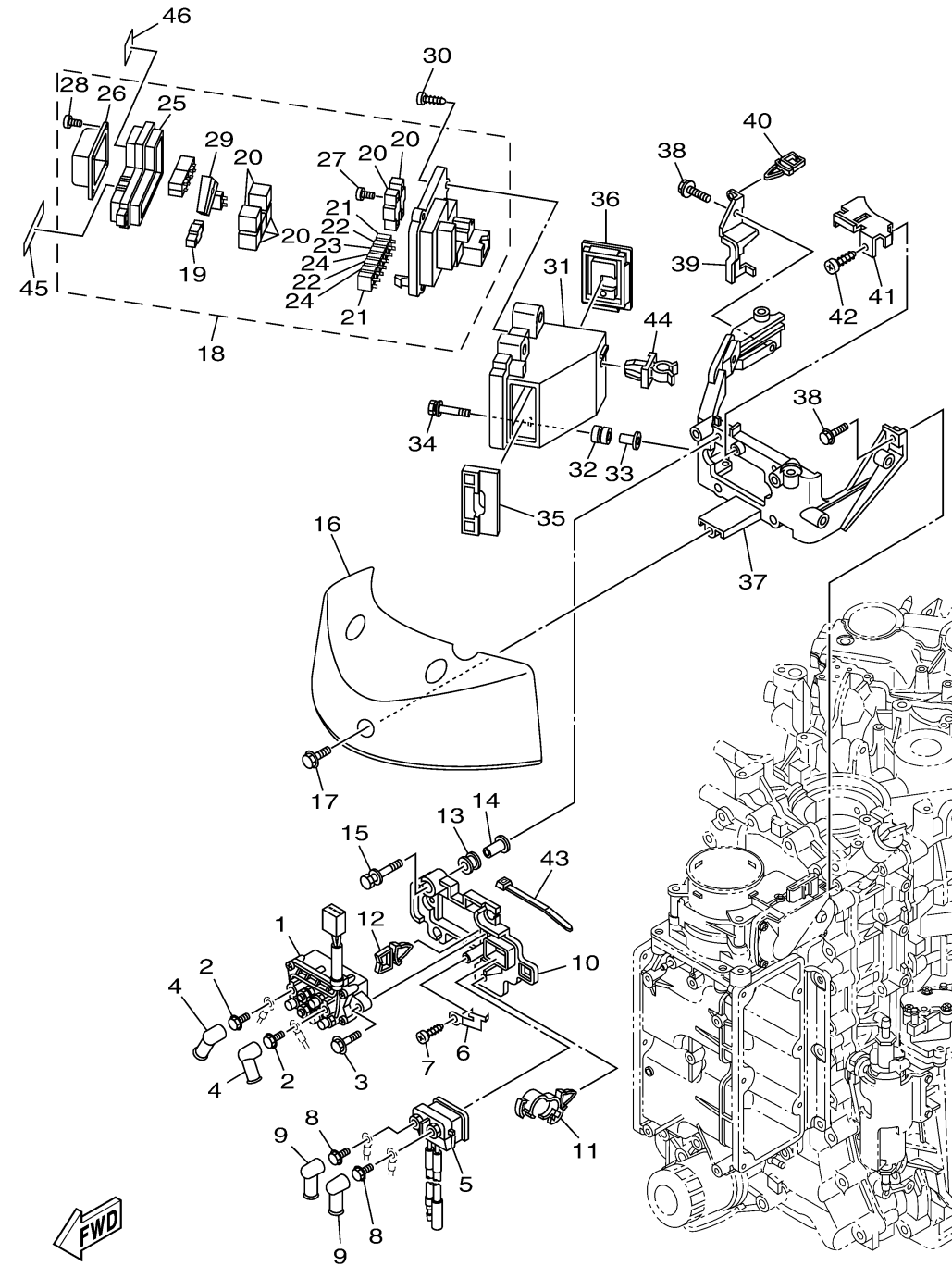


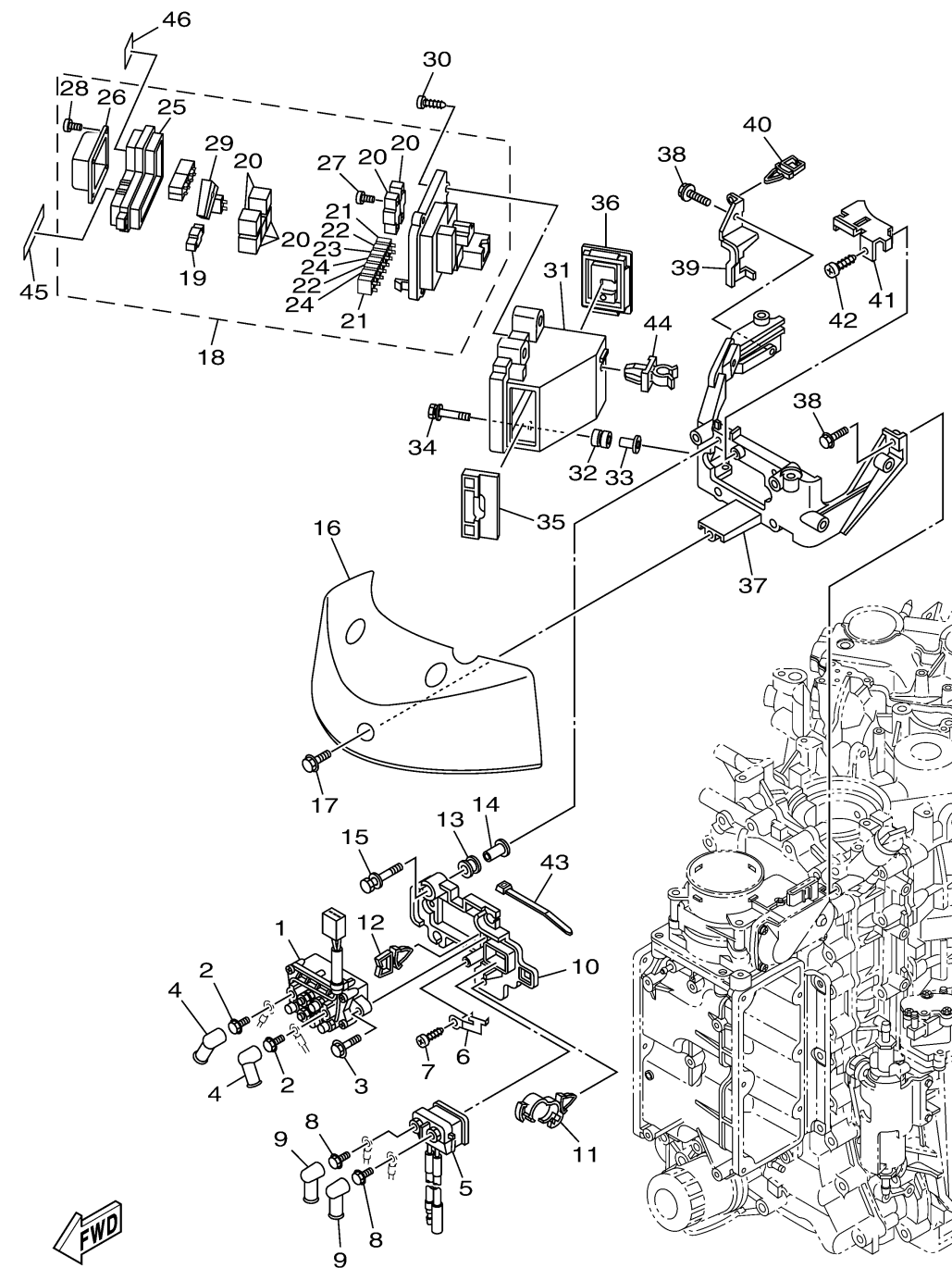
# ELECTRICAL 2



6AWB100-R200

Ref No.	Part Number	Description	Qty	Remarks
1	6AW-81950-00-00	RELAY ASSY	1	
2	97E95-06610-00	BOLT, HEXAGON W/W DEEP RECESS	2	
3	97513-06520-00	BOLT, WITH WASHER	2	
4	6G5-82119-10-00	COVER, LEAD WIRE	2	
5	6AW-8194A-00-00	RELAY	1	
6	68V-81953-00-00	STAY, RELAY	1	
7	97780-60620-00	SCREW, TAPPING	1	
8	97E95-06610-00	BOLT, HEXAGON W/W DEEP RECESS	2	
9	6G5-82119-00-00	COVER, LEAD WIRE	2	
10	6AW-81952-00-00	HOLDER, RELAY	1	
11	90464-12183-00	CLAMP	1	
12	90464-11121-00	CLAMP	1	
13	6A0-82317-00-00	DAMPER, IGNITION COIL	4	
14	90387-06119-00	COLLAR	4	
15	90119-06M59-00	BOLT, WITH WASHER	4	
16	6AW-81942-00-00	COVER	1	
17	95D95-06016-00	BOLT, FLANGE DEEP RECESS	3	
18	6AW-82170-03-00	FUSE BOX ASSY	1	
19	6P2-82151-00-00	..FUSE (60A)	3	
20	6AW-8195A-00-00	..RELAY ASSY	5	

CONTINUED ON NEXT FRAME >

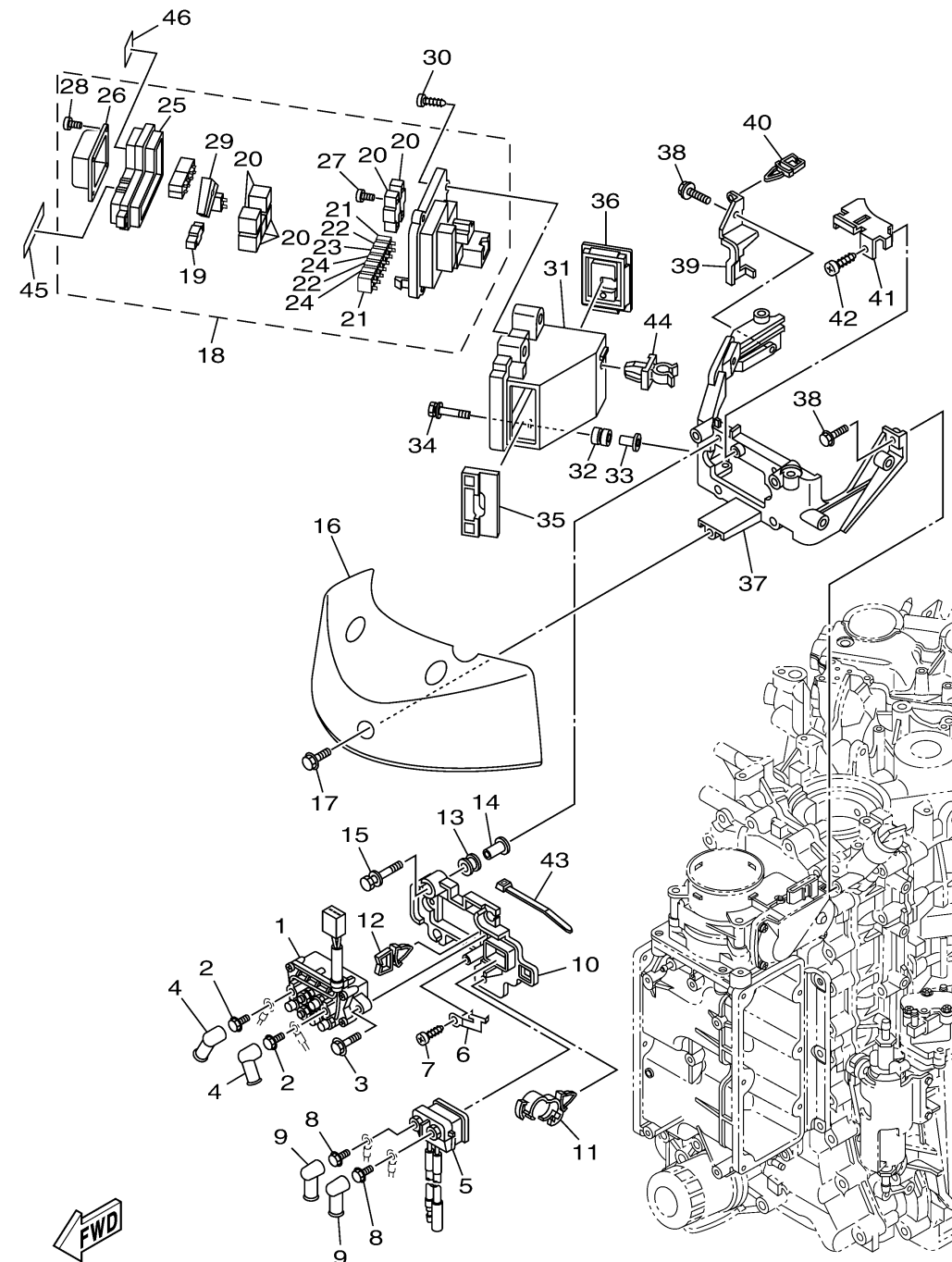


6AWB100-R200

## ELECTRICAL 2

Ref No.	Part Number	Description	Qty	Remarks
21	67F-82151-40-00	..FUSE (10A)	3	
22	67F-82151-50-00	..FUSE (15A)	3	
23	67F-82151-00-00	..FUSE (20A)	2	
24	67F-82151-10-00	..FUSE (30A)	3	
25	6P2-85544-00-00	..CASE	1	
26	6P2-81639-10-00	..COVER	1	
27	68F-82846-00-00	..SCREW, PAN HEAD (M5)	4	
28	6P2-82113-00-00	..SCREW (M3)	4	
29	67F-2812A-00-00	..PULLER, FUSE	1	
30	97780-50620-00	SCREW, TAPPING	4	
31	6AW-82171-00-00	STAY, FUSE BOX	1	
32	6A0-82317-00-00	DAMPER, IGNITION COIL	3	
33	90387-06119-00	COLLAR	3	
34	90119-06M59-00	BOLT, WITH WASHER	3	
35	6AW-82572-00-00	GROMMET 1	1	
36	6AW-82573-00-00	GROMMET 2	1	
37	6AW-81948-00-00	BRACKET	1	
38	95D95-06020-00	BOLT, FLANGE DEEP RECESS	4	
39	6AW-81678-00-00	CLAMP 2	1	
40	90464-11121-00	CLAMP	1	

CONTINUED ON NEXT FRAME >



6AWB100-R200

## ELECTRICAL 2

Ref No.	Part Number	Description	Qty	Remarks
41	6AW-81443-00-00	CLAMP, LEAD 1	1	
42	97780-50514-00	SCREW, TAPPING	1	
43	90465-11M10-00	CLAMP	2	
44	90464-09008-00	CLAMP	1	
45	6AW-81919-20-00	GRAPHIC, REGULATOR	1	
46	6AW-81919-31-00	GRAPHIC, REGULATOR	1	