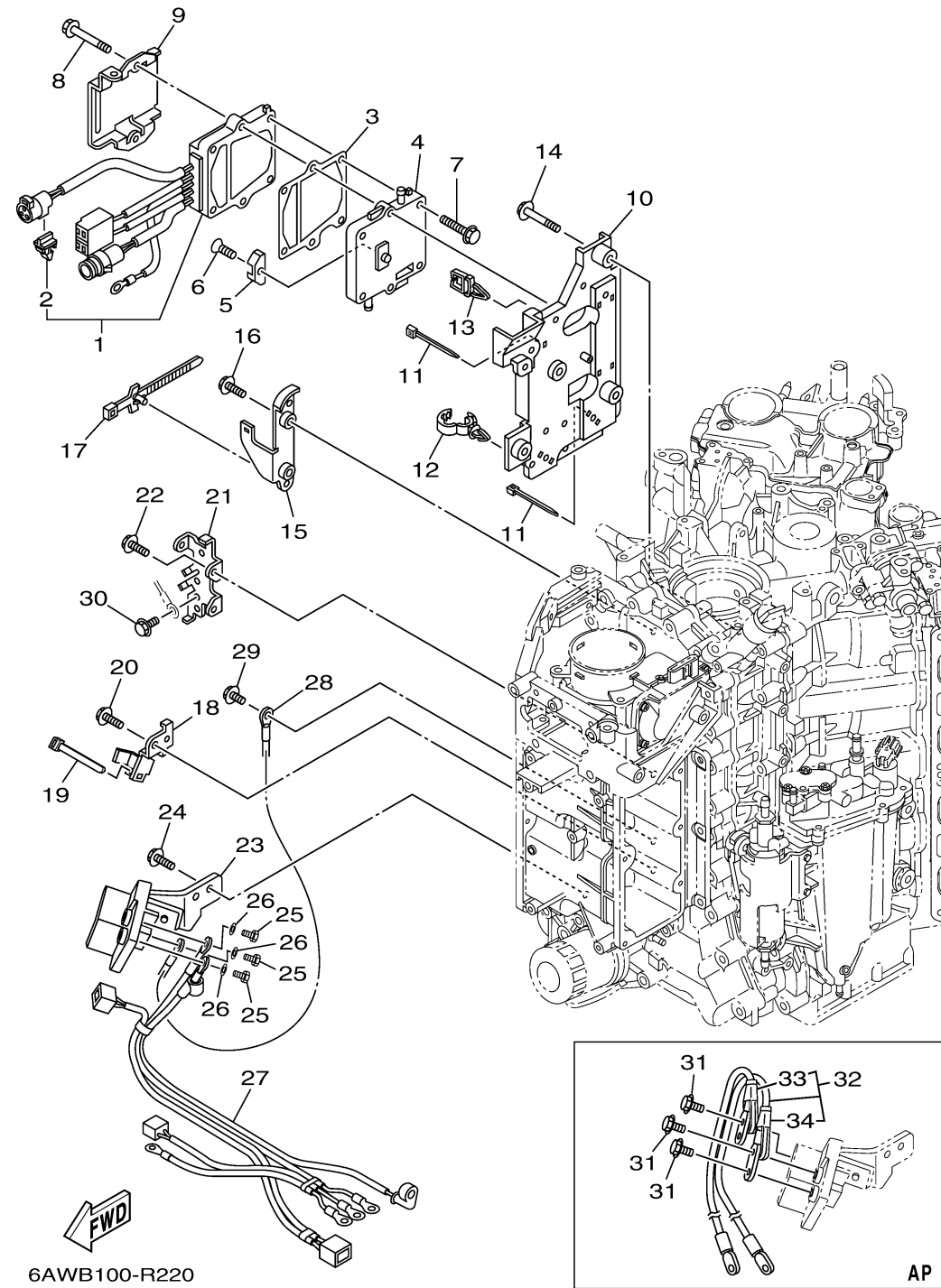
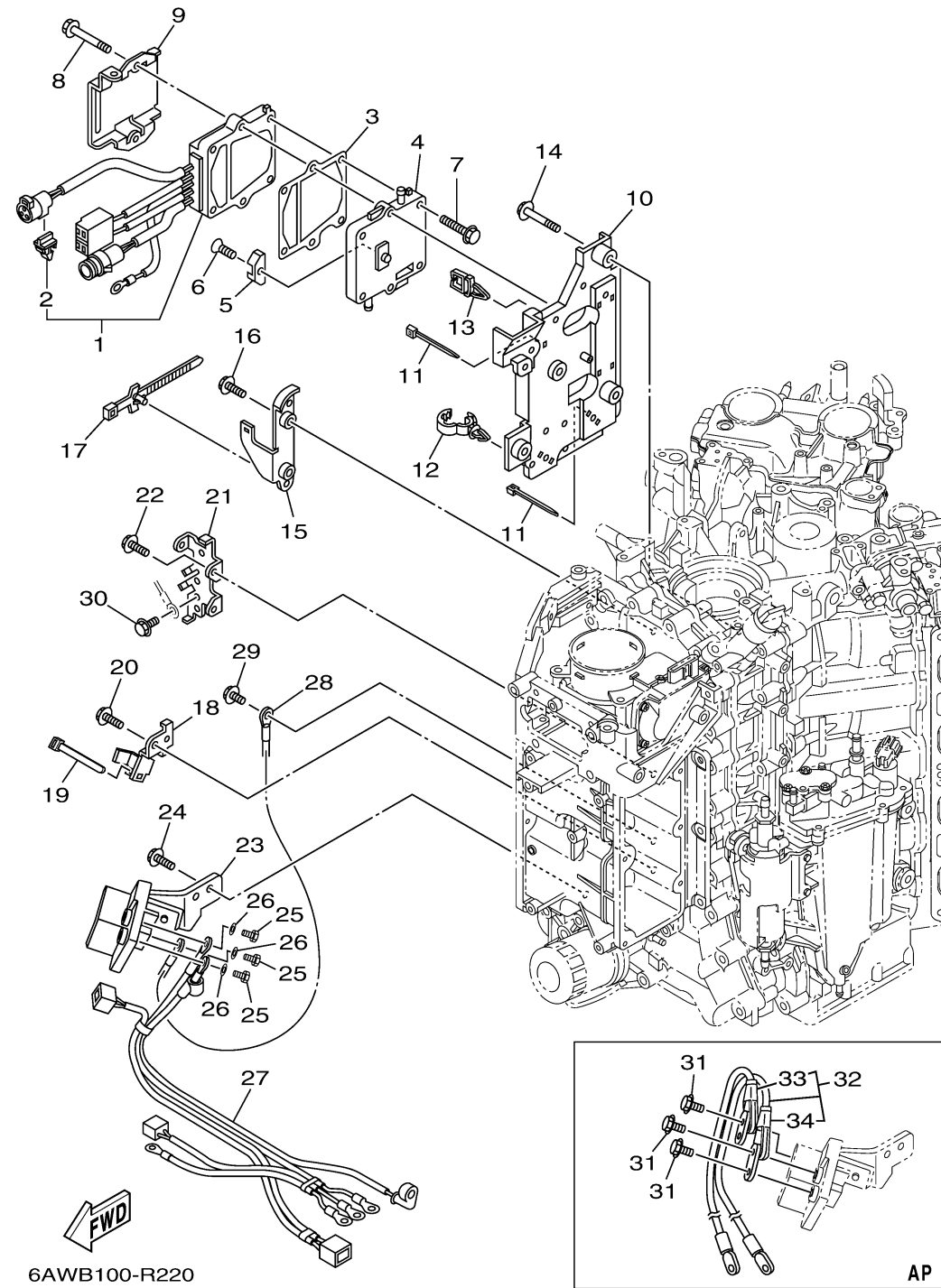


# ELECTRICAL 4



Ref No.	Part Number	Description	Qty	Remarks
1	6AW-81960-02-00	RECTIFIER & REGULATOR ASSY	1	
2	90464-12002-00	.CLAMP	1	
3	6AW-81975-00-00	PLATE, RECTIFIER FITTING	1	
4	6AW-81972-00-9S	COVER, RECTIFIER	1	
5	6E5-11325-00-00	ANODE	1	
6	98780-04015-00	SCREW, FLAT HEAD	1	
7	90119-06MA3-00	BOLT, WITH WASHER	4	
8	90119-06MA5-00	BOLT, WITH WASHER	2	
9	6AW-82581-00-00	STAY, CORD CLAMP	1	
10	6AW-8235A-00-00	CASE 1	1	
11	90465-14M66-00	CLAMP	5	
12	90464-13249-00	.CLAMP	1	
13	90464-11121-00	CLAMP	1	
14	97E95-06516-00	BOLT, HEXAGON W/W DEEP RECESS	4	
15	6AW-83614-01-00	BRACKET	1	
16	97E95-06514-00	BOLT, HEXAGON W/W DEEP RECESS	2	
17	90464-44002-00	CLAMP	2	
18	6AW-81328-00-00	CLAMP	1	
19	90465-14M66-00	CLAMP	1	
20	97E95-06516-00	BOLT, HEXAGON W/W DEEP RECESS	1	

CONTINUED ON NEXT FRAME >



## ELECTRICAL 4

Ref No.	Part Number	Description	Qty	Remarks
21	6AW-81218-00-00	TERMINAL	1	
22	97E95-06516-00	BOLT, HEXAGON W/W DEEP RECESS	2	
23	6AW-81925-01-00	TERMINAL	1	
24	97E95-08520-00	BOLT, HEXAGON WW DEEP RECESS	2	
25	90101-08022-00	BOLT	3	
26	92990-08600-00	WASHER, PLATE	3	
27	6AW-8259M-00-00	WIRE HARNESS ASSY 2	1	
28	6AW-82117-01-00	WIRE, LEAD	1	
29	97E95-06616-00	BOLT, HEXAGON W/W DEEP RECESS	1	
30	97E95-06510-00	BOLT, HEXAGON W/W DEEP RECESS	4	
31	97E95-08516-00	BOLT, HEXAGON W/W DEEP RECESS	3	AP
32	6AW-82105-01-00	BATTERY CABLE	1	AP
33	6AW-82119-00-00	..COVER, LEAD WIRE	1	
34	6AW-82119-20-00	..COVER, LEAD WIRE	1	