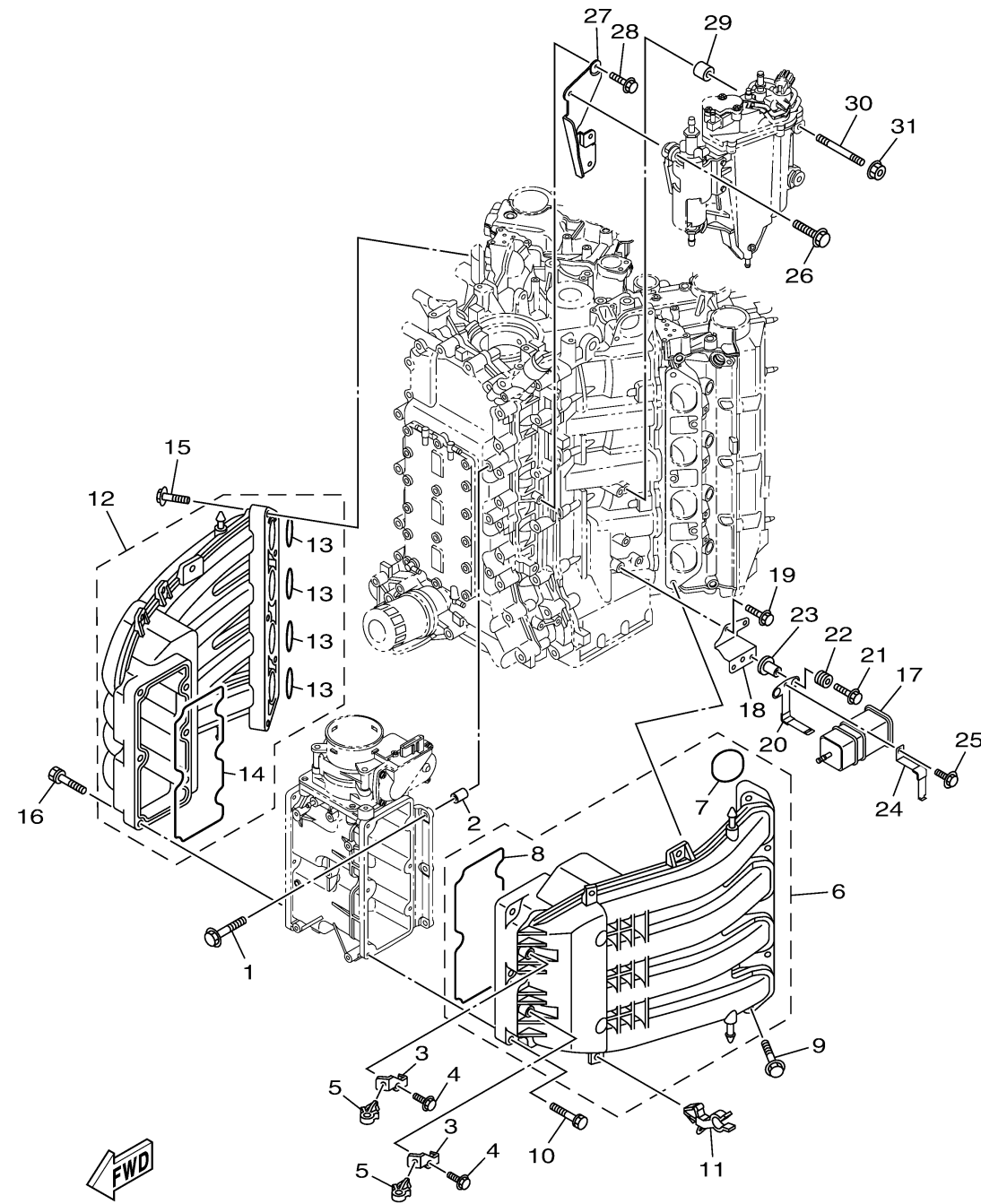


6AWB100-R090

INTAKE 1

Ref No.	Part Number	Description	Qty	Remarks
1	95D75-08035-00	BOLT, FLANGE DEEP RECESS	6	
2	99530-10114-00	PIN, DOWEL	2	
3	6AW-13782-00-00	STAY	2	
4	97E95-06512-00	BOLT, HEXAGON W/W DEEP RECESS	2	
5	90464-09023-00	CLAMP	2	
6	6AW-13641-10-00	MANIFOLD, INTAKE 1	1	
7	6AW-13645-00-00	..GASKET, MANIFOLD 1	4	
8	6AW-13646-00-00	..GASKET, MANIFOLD 2	1	
9	90119-08022-00	BOLT, WITH WASHER	5	
10	90119-06MA6-00	BOLT, WITH WASHER	5	
11	90464-17006-00	CLAMP	2	
12	6AW-13641-10-00	MANIFOLD, INTAKE 1	1	
13	6AW-13645-00-00	..GASKET, MANIFOLD 1	4	
14	6AW-13646-00-00	..GASKET, MANIFOLD 2	1	
15	90119-08022-00	BOLT, WITH WASHER	5	
16	90119-06MA6-00	BOLT, WITH WASHER	5	
17	6P2-24170-00-00	CANISTER ASSY	1	
18	6AW-2134X-10-00	BRACKET, CANISTER	1	
19	95D95-06016-00	BOLT, FLANGE DEEP RECESS	2	
20	69J-2134X-00-00	BRACKET, CANISTER	1	

CONTINUED ON NEXT FRAME >



6AWB100-R090

INTAKE 1

Ref No.	Part Number	Description	Qty	Remarks
21	90119-06M17-00	BOLT, WITH WASHER	2	
22	90480-10M23-00	GROMMET	2	
23	90387-06289-00	COLLAR	2	
24	69J-2419A-01-00	HOLDER	1	
25	97E95-06516-00	BOLT, HEXAGON W/W DEEP RECESS	1	
26	90119-06269-00	BOLT, WITH WASHER	2	
27	6AW-24419-00-00	BRKT., SEPARATOR	1	
28	95D95-06016-00	BOLT, FLANGE DEEP RECESS	2	
29	90387-06276-00	COLLAR	2	
30	90116-06046-00	BOLT, STUD	2	
31	90179-06M28-00	NUT	2	