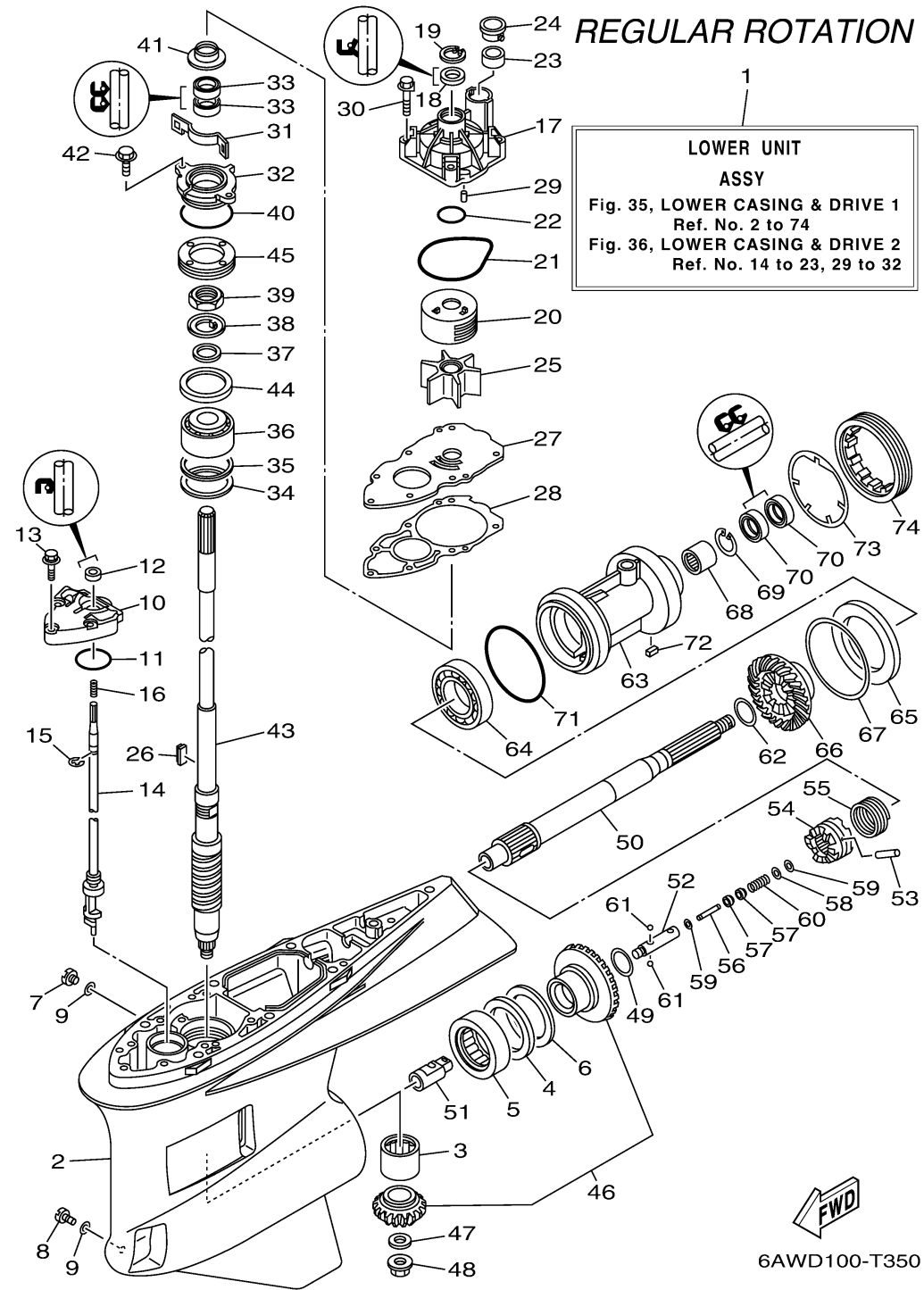


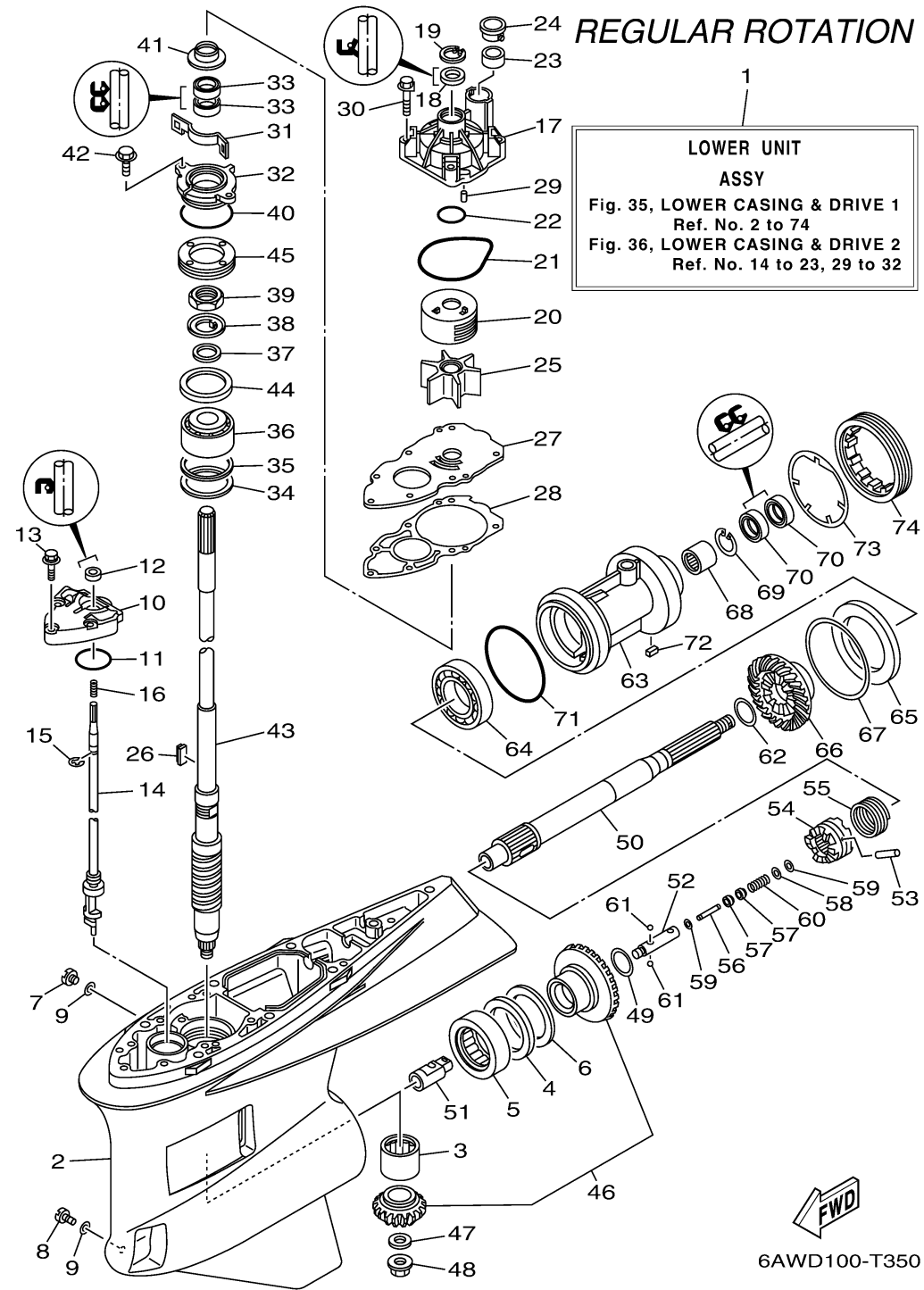
LOWER CASING DRIVE 1



Ref No.	Part Number	Description	Qty	Remarks
1	6AW-45300-21-8D	LOWER UNIT ASSY	1	X(25.1"), RH
1	6AW-45300-32-8D	LOWER UNIT ASSY	0	U(30.1"), RH
2	6AW-45311-01-8D	CASING, LOWER	1	
3	93311-93590-00	BEARING	1	
4	93340-67011-00	BEARING	1	
5	93390-00031-00	BEARING	1	
6	6AW-45567-00-00	SHIM (T:2.00MM)	1	UR
6	6AW-45567-50-00	SHIM (T:2.15MM)	1	UR
6	6AW-45567-10-00	SHIM (T:2.03MM)	1	UR
6	6AW-45567-20-00	SHIM (T:2.06MM)	1	UR
6	6AW-45567-30-00	SHIM (T:2.09MM)	1	UR
6	6AW-45567-40-00	SHIM (T:2.15MM)	1	UR
7	90340-08002-00	PLUG, STRAIGHT SCREW	1	
8	688-45341-10-00	PLUG, DRAIN	1	
9	90430-08003-00	GASKET	2	
10	6AW-45321-00-00	PLATE	1	
11	93210-48214-00	O-RING	1	
12	93101-12M70-00	OIL SEAL	1	
13	90119-08M26-00	BOLT, WITH WASHER	3	
14	6AW-44150-00-00	SHIFT CAM ASSY	1	X(25.1"), RH

CONTINUED ON NEXT FRAME >

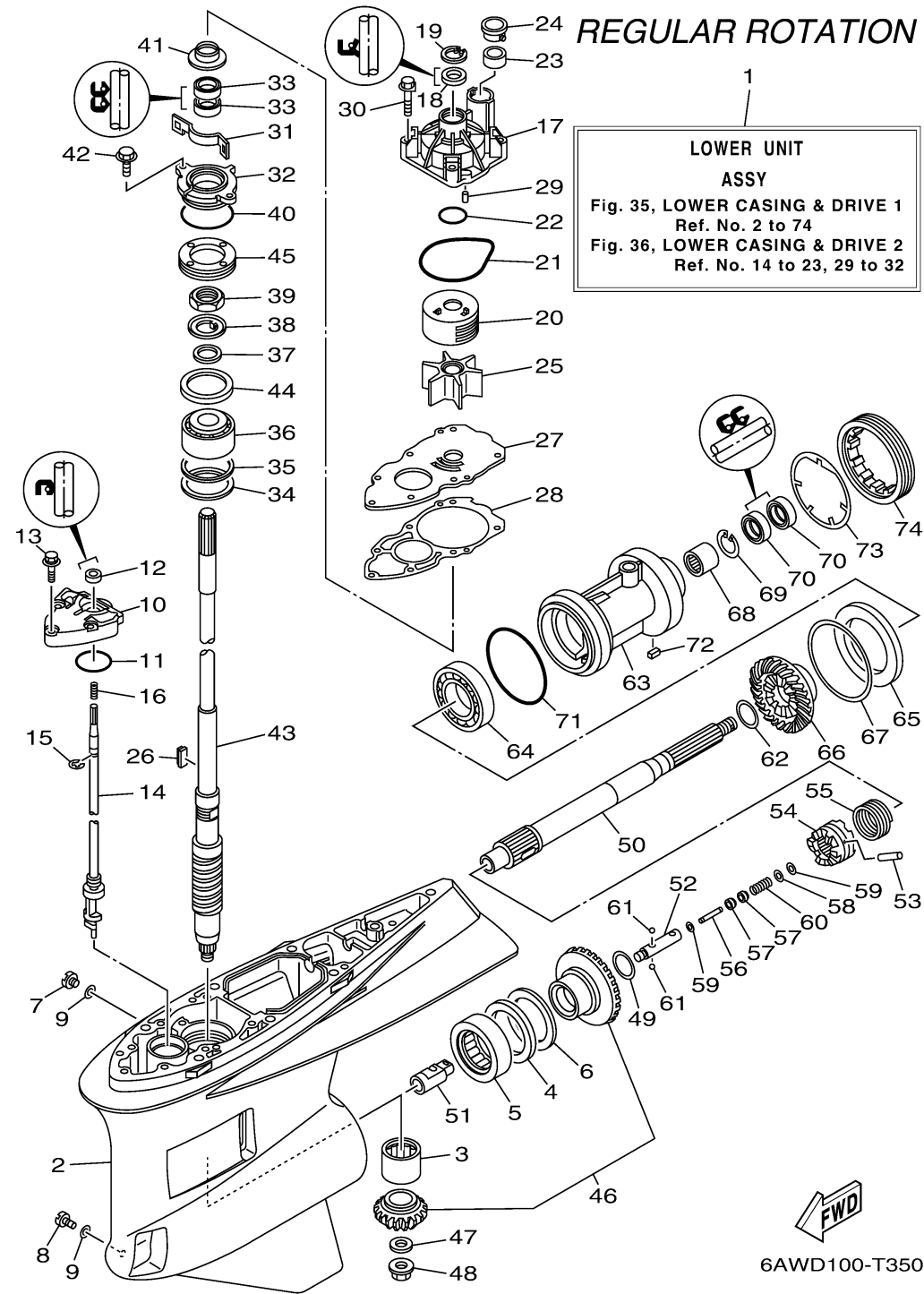
LOWER CASING DRIVE 1



Ref No.	Part Number	Description	Qty	Remarks
14	6AW-44150-10-00	SHIFT CAM ASSY	0	U(30.1"), RH
15	99002-10600-00	CIRCLIP	1	
16	90501-127J4-00	SPRING, COMPRESSION	1	
17	6AW-44311-01-00	HOUSING, WATER PUMP	1	
18	93109-24001-00	OIL SEAL	1	
19	93420-35085-00	CIRCLIP	1	
20	6AW-44322-00-00	INSERT, CARTRIDGE	1	
21	93210-94003-00	O-RING	1	
22	93210-37160-00	O-RING	1	
23	6AW-44365-00-00	DAMPER, WATER SEAL 1	1	
24	6AW-44312-00-00	COVER, WATER PUMP HOUSING	1	
25	6AW-44352-00-00	IMPELLER	1	
26	6AW-44336-00-00	KEY	1	
27	6AW-44323-00-00	OUTER PLATE, CARTRIDGE	1	
28	6AW-44315-00-00	GASKET, WATER PUMP	1	
29	93606-12019-00	PIN, DOWEL	2	
30	90119-08M14-00	BOLT. WITH WASHER	4	
31	6AW-45723-00-00	PLATE, SEAL	1	
32	6AW-45335-00-CA	HOUSING, OIL SEAL	1	
33	93101-28018-00	OIL SEAL	2	

CONTINUED ON NEXT FRAME >

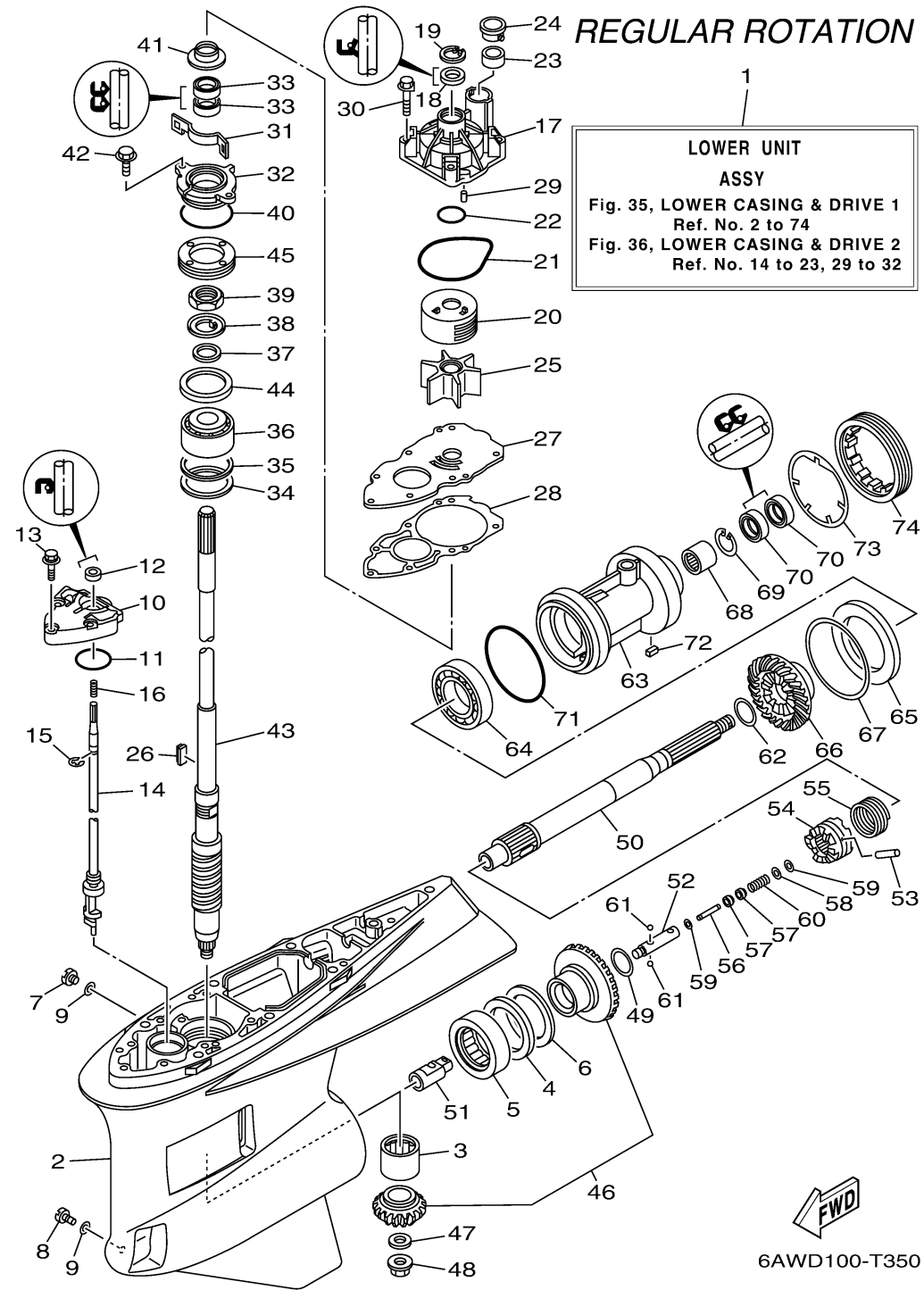
LOWER CASING DRIVE 1



Ref No.	Part Number	Description	Qty	Remarks
34	90201-68008-00	WASHER, PLATE	1	
35	6AW-45587-00-00	SHIM (T:0.10MM)	1	UR
35	6AW-45587-10-00	SHIM (T:0.12MM)	1	UR
35	6AW-45587-20-00	SHIM (T:0.15MM)	1	UR
35	6AW-45587-30-00	SHIM (T:0.18MM)	1	UR
35	6AW-45587-40-00	SHIM (T:0.30MM)	1	UR
35	6AW-45587-50-00	SHIM (T:0.40MM)	1	UR
35	6AW-45587-60-00	SHIM (T:0.50MM)	1	UR
36	93399-99962-00	BEARING	1	
37	90201-301U7-00	WASHER, PLATE	1	
38	90214-30003-00	WASHER, CLAW	1	
39	90170-30M18-00	NUT	1	
40	93210-69MG6-00	O-RING	1	
41	6AW-45344-00-00	COVER, OIL SEAL	1	
42	97E95-08520-00	BOLT, HEXAGON WW DEEP RECESS	2	
43	6AW-45501-00-00	DRIVE SHAFT COMP.	1	X(25.1")
43	6AW-45501-10-00	DRIVE SHAFT COMP.	0	U(30.1")
44	6T5-45539-00-00	SPACER 2	1	
45	6AW-45244-00-00	NUT	1	
46	6AW-45550-00-00	GEAR SET	1	

CONTINUED ON NEXT FRAME >

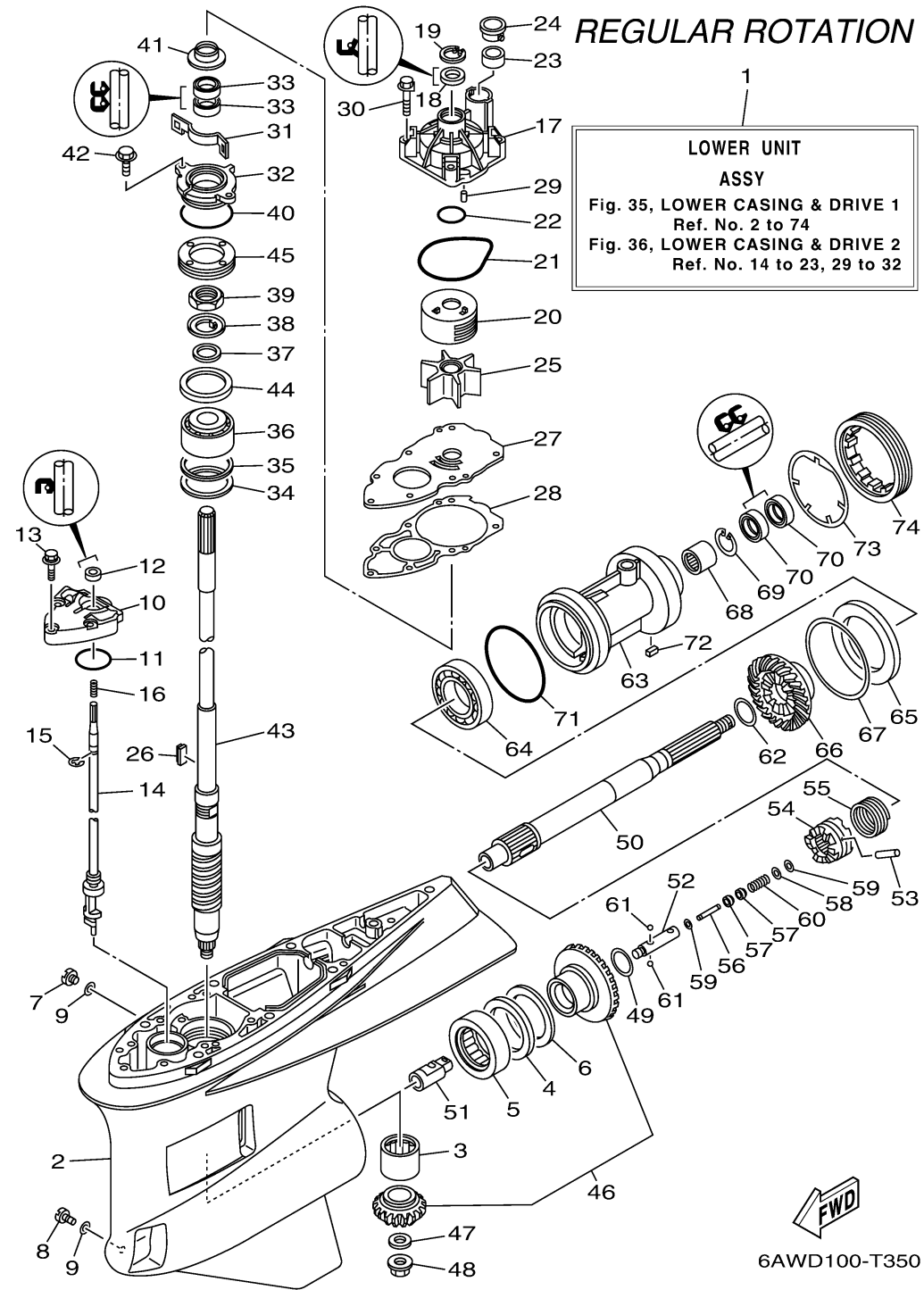
LOWER CASING DRIVE 1



Ref No.	Part Number	Description	Qty	Remarks
47	90201-18023-00	WASHER, PLATE	1	
48	90179-18009-00	NUT	1	
49	90201-35015-00	WASHER, PLATE	1	
50	6AW-45611-00-00	SHAFT, PROPELLER	1	
51	6AW-45641-00-00	SHIFTER	1	
52	61A-45634-01-00	SLIDE, SHIFT	1	
53	6AW-45632-00-00	PIN, CROSS	1	
54	6AW-45631-00-00	CLUTCH, DOG	1	
55	6AW-45633-00-00	RING, CROSS PIN	1	
56	6H1-45668-00-00	SHAFT, FREE 1	1	
57	61A-45635-00-00	PLUNGER, SHIFT	2	
58	90201-02M00-00	WASHER, PLATE	1	
59	90183-02M03-00	NUT, SPRING	2	
60	90501-10M77-00	SPRING, COMPRESSION	1	
61	93501-04011-00	BALL	2	
62	6AW-45612-00-00	WASHER, THRUST	1	
63	6AW-45332-00-00	HOUSING, BEARING	1	
64	93306-21101-00	BEARING	1	
65	6AW-45576-00-00	WASHER, THRUST 2	1	
66	6AW-45571-00-00	GEAR 2 (26T)	1	

CONTINUED ON NEXT FRAME >

LOWER CASING DRIVE 1



Ref No.	Part Number	Description	Qty	Remarks
67	6AW-45577-00-00	SHIM (T:0.10MM)	1	UR
67	6AW-45577-10-00	SHIM (T:0.12MM)	1	UR
67	6AW-45577-20-00	SHIM (T:0.15MM)	1	UR
67	6AW-45577-30-00	SHIM (T:0.18MM)	1	UR
67	6AW-45577-40-00	SHIM (T:0.30MM)	1	UR
67	6AW-45577-50-00	SHIM (T:0.40MM)	1	UR
67	6AW-45577-60-00	SHIM (T:0.50MM)	1	UR
68	93311-63591-00	BEARING	1	
69	99009-47500-00	CIRCLIP	1	
70	93101-35018-00	OIL SEAL	2	
71	93211-10232-00	O-RING	1	
72	90282-05008-00	KEY, STRAIGHT	1	
73	6AW-45383-00-00	WASHER, CLAW	1	
74	6AW-45384-00-00	NUT	1	