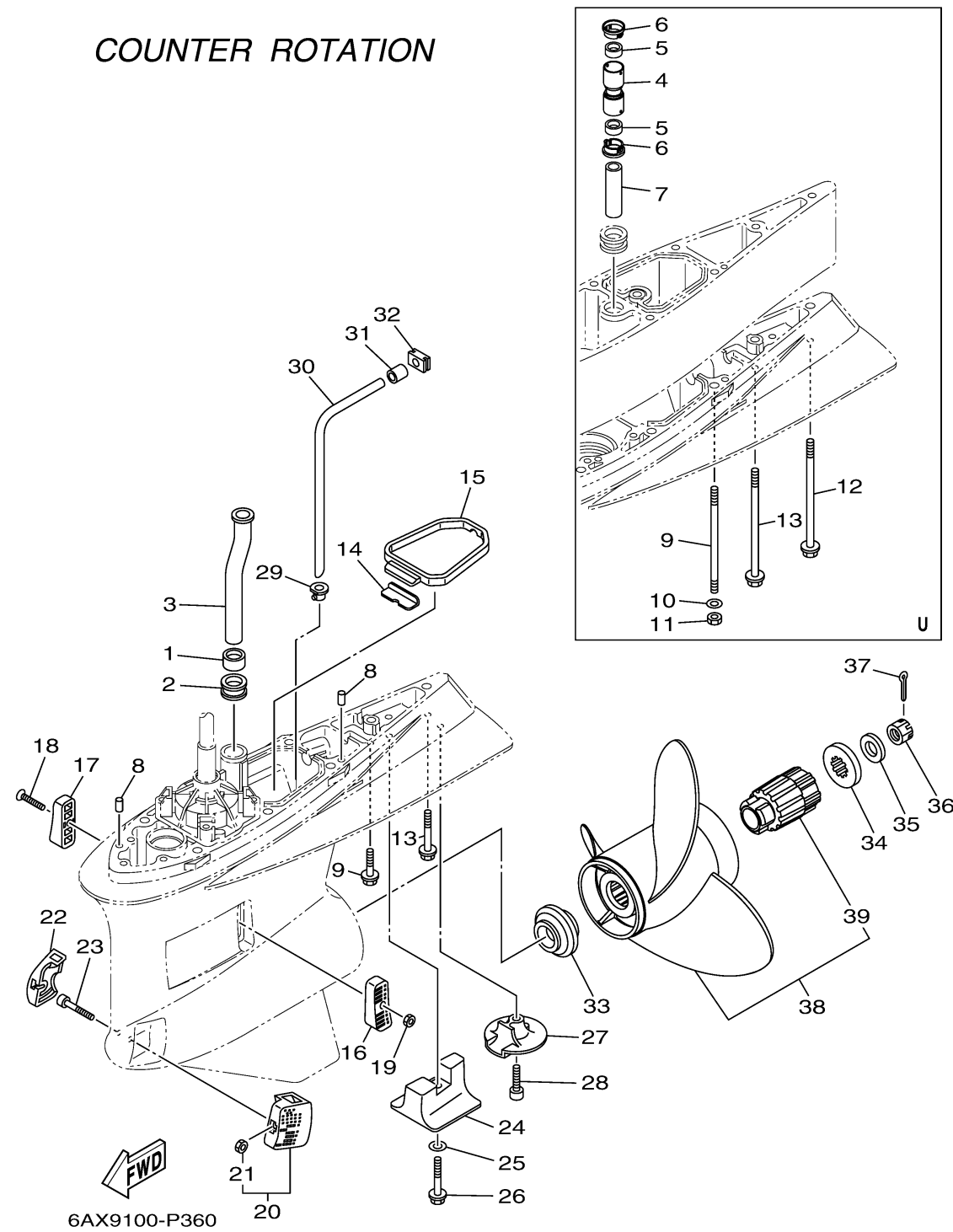


COUNTER ROTATION

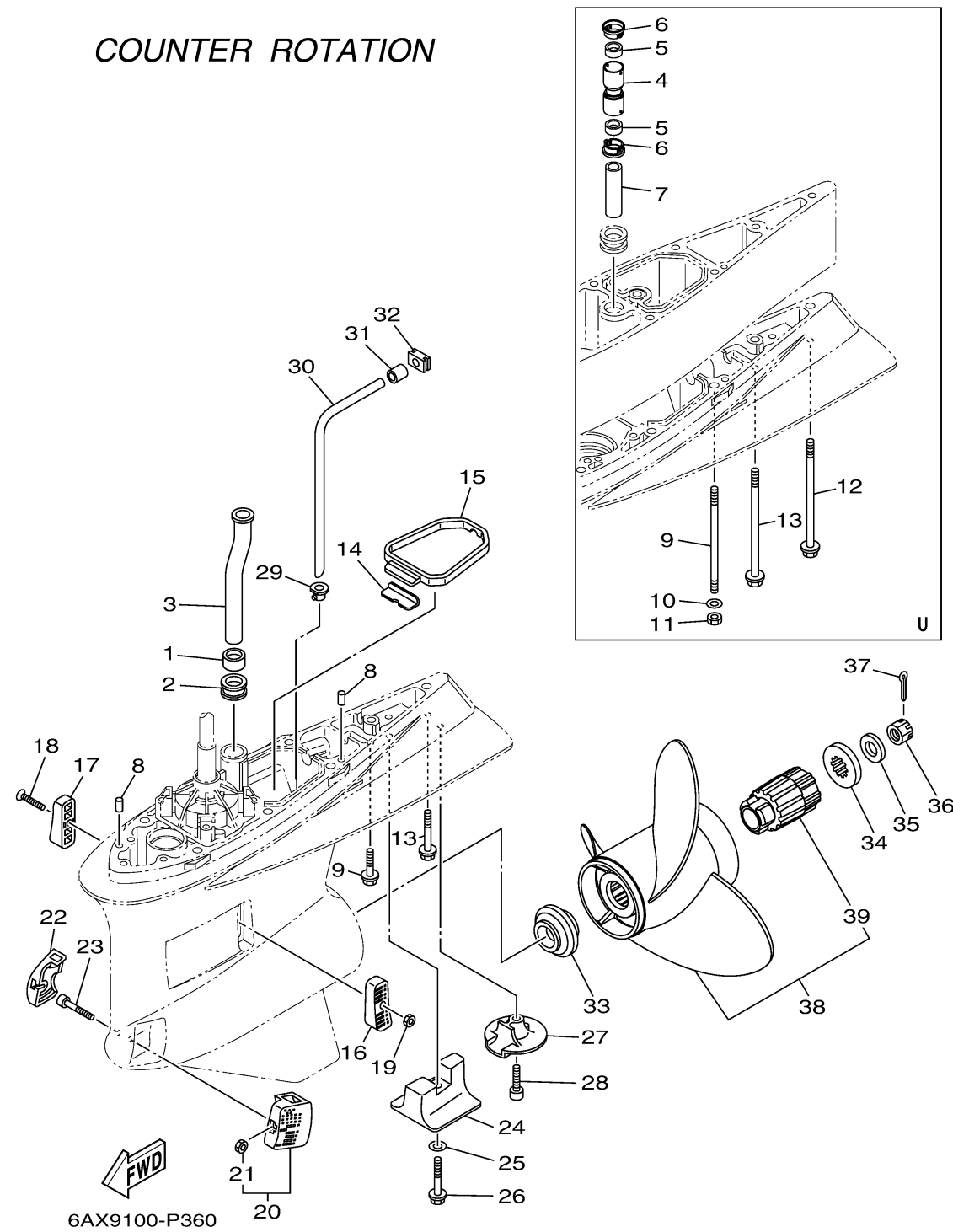


## LOWER CASING DRIVE 4

Ref No.	Part Number	Description	Qty	Remarks
1	6AW-44365-00-00	. DAMPER, WATER SEAL 1	0	
2	6AW-44366-00-00	. DAMPER, WATER SEAL 2	0	
3	6AW-44361-00-00	TUBE, WATER 1	0	
4	6CE-44362-00-00	TUBE, WATER 2	0	U(30.1")
5	6AW-44365-00-00	. DAMPER, WATER SEAL 1	0	U(30.1")
6	6AW-44312-00-00	COVER, WATER PUMP HOUSING	0	U(30.1")
7	6AW-44363-00-00	TUBE, WATER 3	0	U(30.1")
8	93608-12M05-00	PIN, DOWEL	0	
9	90119-10038-00	BOLT, WITH WASHER	0	X(25.1")
9	90116-10041-00	BOLT, STUD	0	U(30.1")
10	90201-10048-00	WASHER, PLATE	0	U(30.1")
11	90170-10009-00	NUT	0	U(30.1")
12	90119-10008-00	BOLT, WITH WASHER	0	U(30.1")
13	90119-10009-00	BOLT, WITH WASHER	0	U(30.1")
13	97E75-10570-00	BOLT, HEXAGON WW DEEP RECESS	0	X(25.1")
14	61A-45376-00-00	GUIDE, SEAL DAMPER	0	
15	6AW-45375-00-00	DAMPER, SEAL	0	
16	6AW-45214-00-00	COVER, WATER INLET 1	0	
17	6AW-45215-00-00	COVER, WATER INLET 2	0	
18	90152-05003-00	SCREW, COUNTERSUNK	0	

CONTINUED ON NEXT FRAME >

COUNTER ROTATION



## LOWER CASING DRIVE 4

Ref No.	Part Number	Description	Qty	Remarks
19	90185-05002-00	. NUT,NYLON	0	
20	6AW-45224-00-00	COVER, WATER INLET 3	0	
21	90185-05002-00	. . NUT,NYLON	0	
22	6AW-45225-00-00	COVER, WATER INLET 4	0	
23	90110-05050-00	BOLT, HEXAGON SOCKET HEAD	0	
24	6AW-45373-00-00	ANODE	0	
25	92990-10300-00	WASHER	0	
26	90105-10257-00	BOLT, FLANGE	0	
27	6AW-45619-00-00	CAP	0	
28	90110-10018-00	BOLT, HEXAGON SOCKET HEAD	0	
29	6AW-44367-00-00	DAMPER, WATER SEAL 3	0	
30	6AW-44362-00-00	TUBE, WATER 2	0	
31	6AW-44375-00-00	GROMMET, WATER TUBE 1	0	
32	6AW-44376-00-00	GROMMET, WATER TUBE 2	0	
33	6AW-45987-00-00	SPACER 1	0	
34	6AW-45997-00-00	SPACER 2	0	
35	90201-19M01-00	WASHER, PLATE	0	
36	90171-18M04-00	NUT, CASTLE	0	
37	91490-40030-00	PIN. COTTER	0	
38	6AX-45978-20-00	PROPELLER (3X15-.25"X23"-XL)	0	UR SDS PROP.

CONTINUED ON NEXT FRAME >

