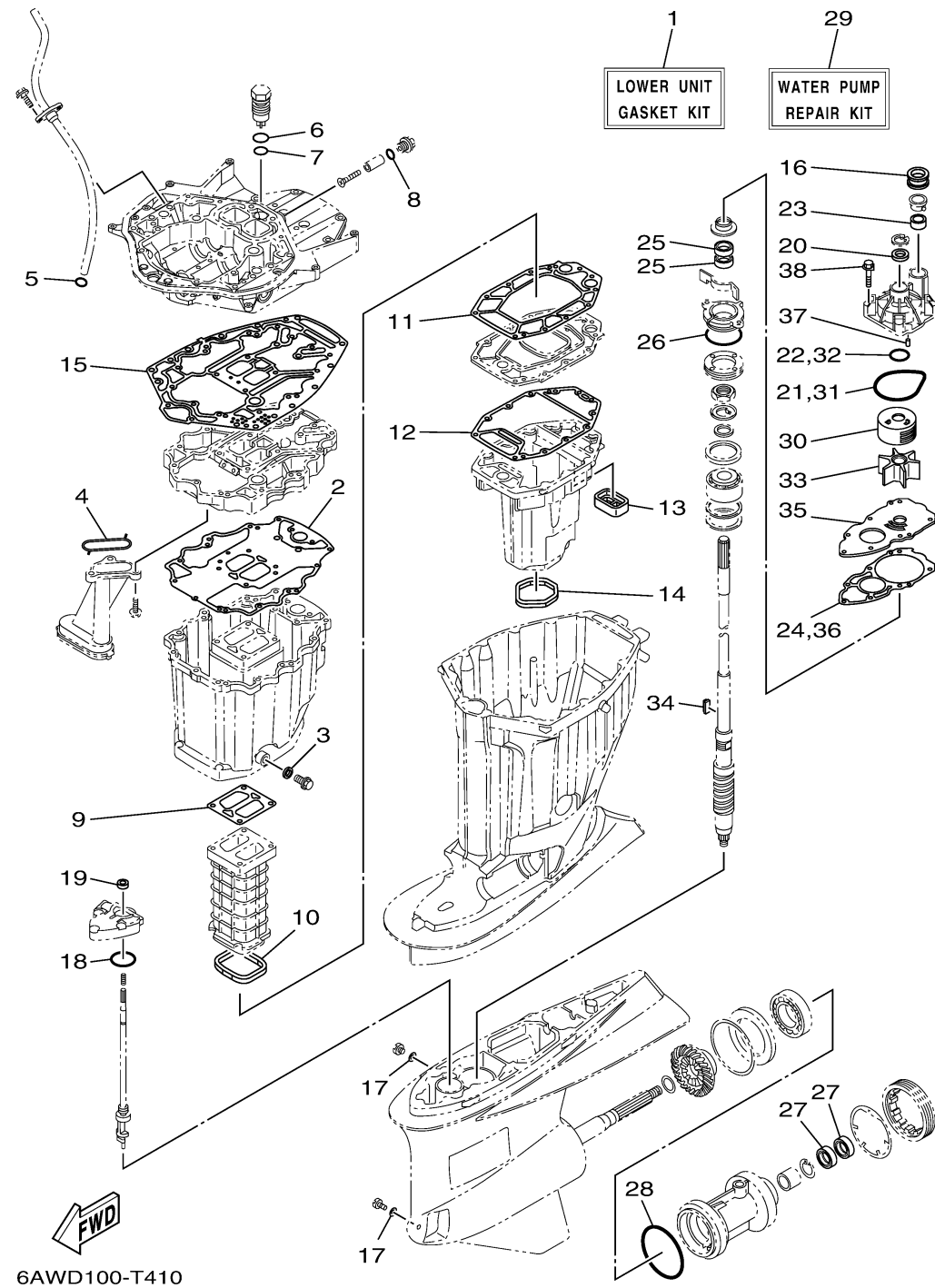


REPAIR KIT 2

Ref No.	Part Number	Description	Qty	Remarks
1	6AW-W0001-21-00	LOWER UNIT GASKET KIT	1	
2	6AW-15312-00-00	..GASKET, OIL PAN	1	
3	90430-14M09-00	..GASKET	1	
4	6AW-13415-00-00	..SEAL, OIL STRAINER	1	
5	93210-19MJ3-00	..O-RING	1	
6	93210-347A1-00	..O-RING	1	
7	93210-28543-00	..O-RING	1	
8	93210-19758-00	..O-RING	1	
9	6AW-41134-02-00	..GASKET, EXHAUST MANIFOLD	1	
10	6AW-41138-00-00	..SEAL, EXT. 1	1	
11	6AW-41135-00-00	..GASKET, EXHAUST MANIFOLD	1	
12	6AW-41136-00-00	..GASKET, EXHAUST MANIFOLD 4	1	
13	6AW-45127-00-00	..SEAL	1	
14	69J-45123-00-00	..GASKET, MUFFLER	1	
15	6AW-45113-00-00	..GASKET, UPPER CASING	1	
16	6AW-44366-00-00	..DAMPER, WATER SEAL 2	1	
17	90430-08003-00	..GASKET	2	
18	93210-48214-00	..O-RING	1	
19	93101-12M70-00	..OIL SEAL	1	
20	93109-24001-00	..OIL SEAL	1	

CONTINUED ON NEXT FRAME >



REPAIR KIT 2

Ref No.	Part Number	Description	Qty	Remarks
21	93210-94003-00	. O-RING	1	
22	93210-37160-00	. O-RING	1	
23	6AW-44365-00-00	. DAMPER, WATER SEAL 1	1	
24	6AW-44315-00-00	. GASKET, WATER PUMP	1	
25	93101-28018-00	. OIL SEAL	2	
26	93210-69MG6-00	. O-RING	1	
27	93101-35018-00	. OIL SEAL	2	
28	93211-10232-00	. O-RING	1	
29	6AW-W0078-00-00	WATER PUMP REPAIR KIT	1	
30	6AW-44322-00-00	. INSERT, CARTRIDGE	1	
31	93210-94003-00	. O-RING	1	
32	93210-37160-00	. O-RING	1	
33	6AW-44352-00-00	. IMPELLER	1	
34	6AW-44336-00-00	. KEY	1	
35	6AW-44323-00-00	. OUTER PLATE, CARTRIDGE	1	
36	6AW-44315-00-00	. GASKET, WATER PUMP	1	
37	93606-12019-00	. PIN, DOWEL	2	
38	90119-08M14-00	. BOLT. WITH WASHER	4	