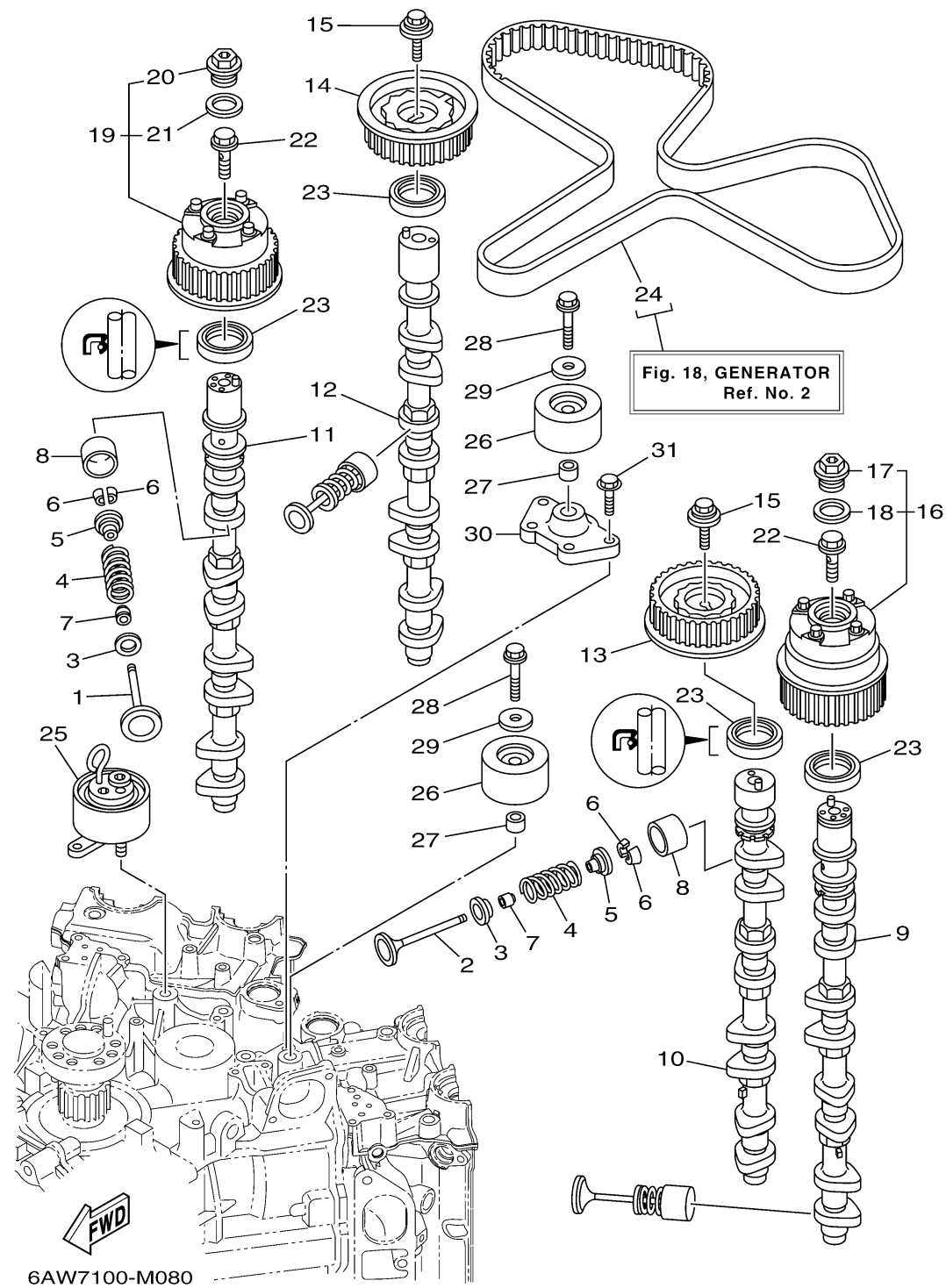


VALVE

Ref No.	Part Number	Description	Qty	Remarks
1	6CB-12111-00-00	VALVE, INTAKE	16	
2	6CB-12121-00-00	VALVE, EXHAUST	16	
3	K0F-A3743-00-00	SEAT, VALVE SPRING	32	
4	6CB-12113-00-00	SPRING, VALVE INNER	32	
5	K0F-A3741-00-00	RETAINER, VALVE SPRING	32	
6	K0F-A3742-00-00	LOCK, VALVE SPRING RETAINER	64	
7	51Y-12119-00-00	SEAL, VALVE STEM	32	
8	K0F-A3751-00-00	LIFTER, VALVE (3.000)	32	UR
8	K0F-A3751-10-00	LIFTER, VALVE (3.025)	32	UR
8	K0F-A3751-20-00	LIFTER, VALVE (3.050)	32	UR
8	K0F-A3751-30-00	LIFTER, VALVE (3.075)	32	UR
8	K0F-A3751-40-00	LIFTER, VALVE (3.100)	32	UR
8	K0F-A3751-50-00	LIFTER, VALVE (3.122)	32	UR
8	K0F-A3751-60-00	LIFTER, VALVE (3.142)	32	UR
8	K0F-A3751-70-00	LIFTER, VALVE (3.162)	32	UR
8	K0F-A3751-80-00	LIFTER, VALVE (3.182)	32	UR
8	K0F-A3751-90-00	LIFTER, VALVE (3.202)	32	UR
8	K0F-A3751-A0-00	LIFTER, VALVE (3.222)	32	UR
8	K0F-A3751-B0-00	LIFTER, VALVE (3.242)	32	UR
8	K0F-A3751-C0-00	LIFTER, VALVE (3.262)	32	UR

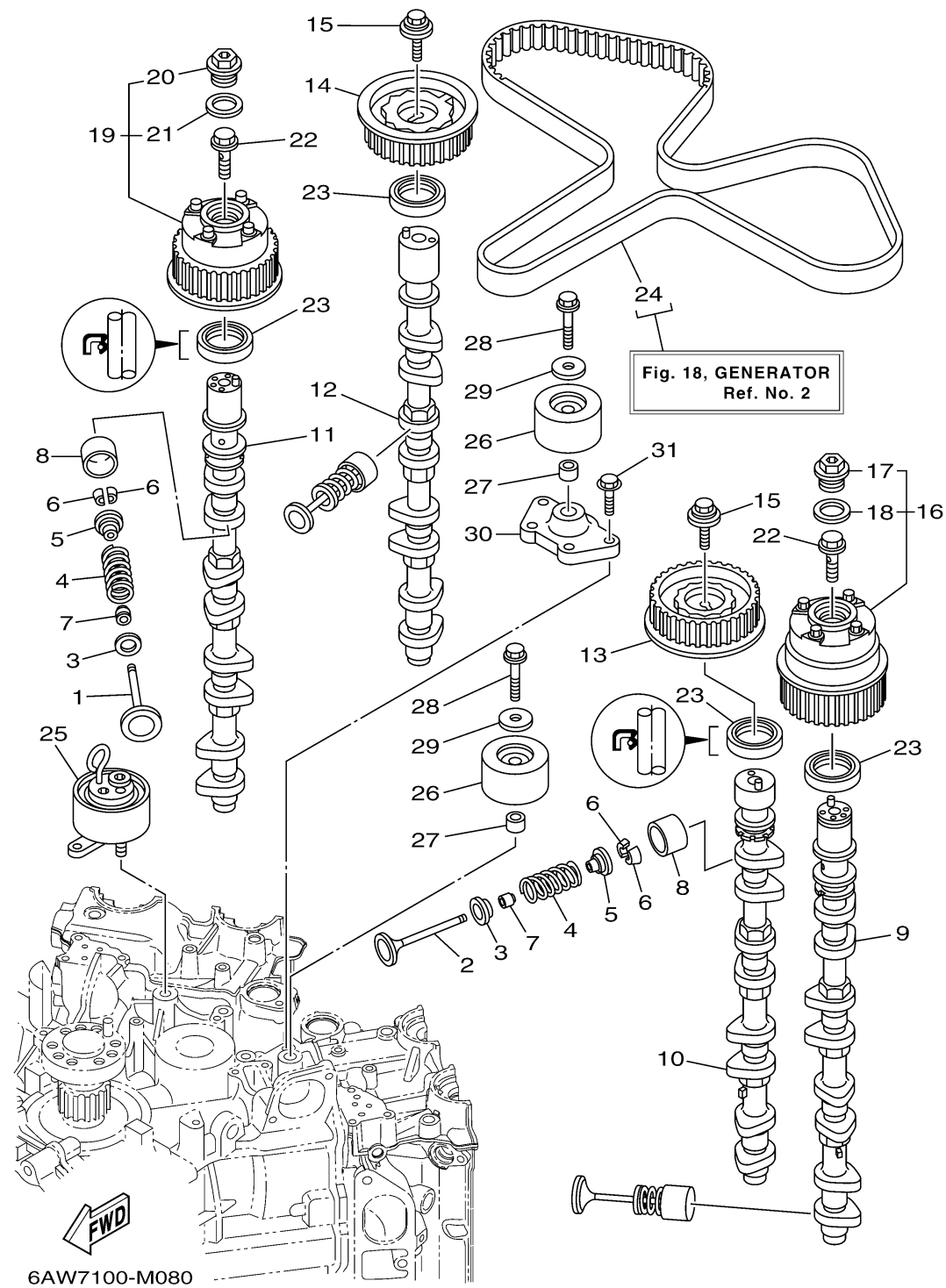
CONTINUED ON NEXT FRAME >



VALVE

Ref No.	Part Number	Description	Qty	Remarks
8	K0F-A3751-D0-00	LIFTER, VALVE (3.282)	32	UR
8	K0F-A3751-E0-00	LIFTER, VALVE (3.302)	32	UR
8	K0F-A3751-F0-00	LIFTER, VALVE (3.322)	32	UR
8	K0F-A3751-G0-00	LIFTER, VALVE (3.342)	32	UR
8	K0F-A3751-H0-00	LIFTER, VALVE (3.362)	32	UR
8	K0F-A3751-J0-00	LIFTER, VALVE (3.382)	32	UR
8	K0F-A3751-K0-00	LIFTER, VALVE (3.402)	32	UR
8	K0F-A3751-L0-00	LIFTER, VALVE (3.422)	32	UR
8	K0F-A3751-M0-00	LIFTER, VALVE (3.442)	32	UR
8	K0F-A3751-N0-00	LIFTER, VALVE (3.462)	32	UR
8	K0F-A3751-P0-00	LIFTER, VALVE (3.482)	32	UR
8	K0F-A3751-R0-00	LIFTER, VALVE (3.502)	32	UR
8	K0F-A3751-S0-00	LIFTER, VALVE (3.522)	32	UR
8	K0F-A3751-T0-00	LIFTER, VALVE (3.542)	32	UR
8	K0F-A3753-00-00	LIFTER, VALVE (3.562)	32	UR
8	K0F-A3753-10-00	LIFTER, VALVE (3.582)	32	UR
8	K0F-A3753-20-00	LIFTER, VALVE (3.602)	32	UR
8	K0F-A3753-30-00	LIFTER, VALVE (3.625)	32	UR
8	K0F-A3753-40-00	LIFTER, VALVE (3.650)	32	UR
8	K0F-A3753-50-00	LIFTER, VALVE (3.675)	32	UR

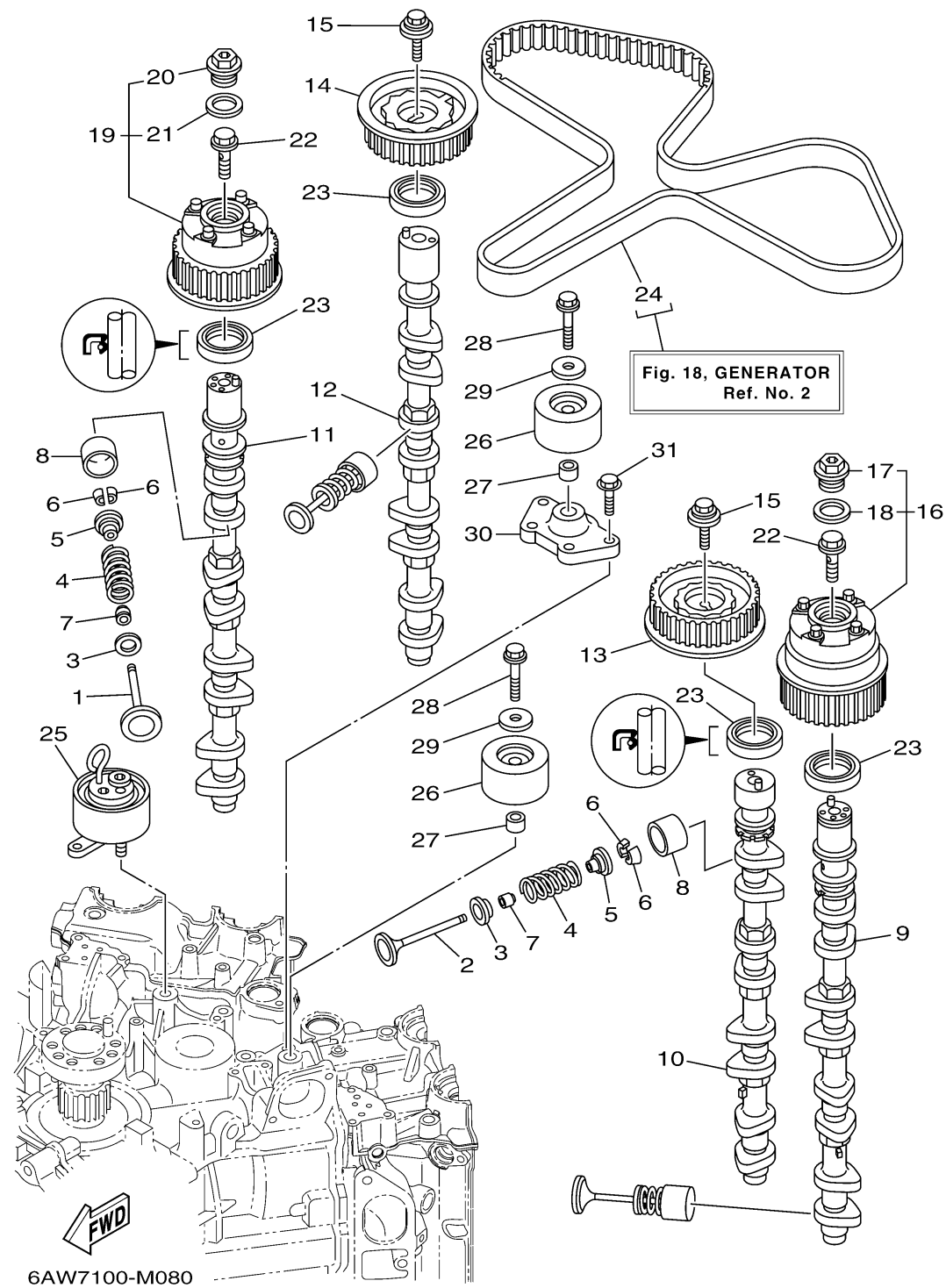
CONTINUED ON NEXT FRAME >



VALVE

Ref No.	Part Number	Description	Qty	Remarks
8	K0F-A3753-60-00	LIFTER, VALVE (3.700)	32	UR
8	K0F-A3753-70-00	LIFTER, VALVE (3.725)	32	UR
9	6AW-12171-10-00	CAMSHAFT 1	1	
10	6AW-12181-10-00	CAMSHAFT 2	1	
11	6AW-12172-10-00	CAMSHAFT 3	1	
12	6AW-12182-10-00	CAMSHAFT 4	1	
13	6AW-11537-00-00	GEAR, DRIVEN	1	
14	6AW-11567-00-00	GEAR, DRIVEN 2	1	
15	90119-10050-00	BOLT, WITH WASHER	2	
16	6AW-12645-00-00	PULLEY ASSY 1	1	
17	6P2-12623-00-00	. .BOLT	1	
18	6P2-12663-00-00	. .GASKET	1	
19	6AW-1264A-00-00	PULLEY ASSY 2	1	
20	6P2-12623-00-00	. .BOLT	1	
21	6P2-12663-00-00	. .GASKET	1	
22	6P2-12615-00-00	BOLT	2	
23	93102-38008-00	.OIL SEAL	4	
24	6AW-W4624-00-00	BELT (WITH ROTOR BOLTS)	1	
25	6P2-11590-01-00	TENSIONER ASSY	1	
26	6P2-15512-00-00	GEAR, IDLER 1	2	

CONTINUED ON NEXT FRAME >



VALVE

Ref No.	Part Number	Description	Qty	Remarks
27	99530-14016-00	PIN, DOWEL	2	
28	90119-10M07-00	BOLT, WITH WASHER	2	
29	90201-10M01-00	WASHER, PLATE	2	
30	6AW-15544-00-00	STAY 1	1	
31	90105-08178-00	BOLT, FLANGE	4	