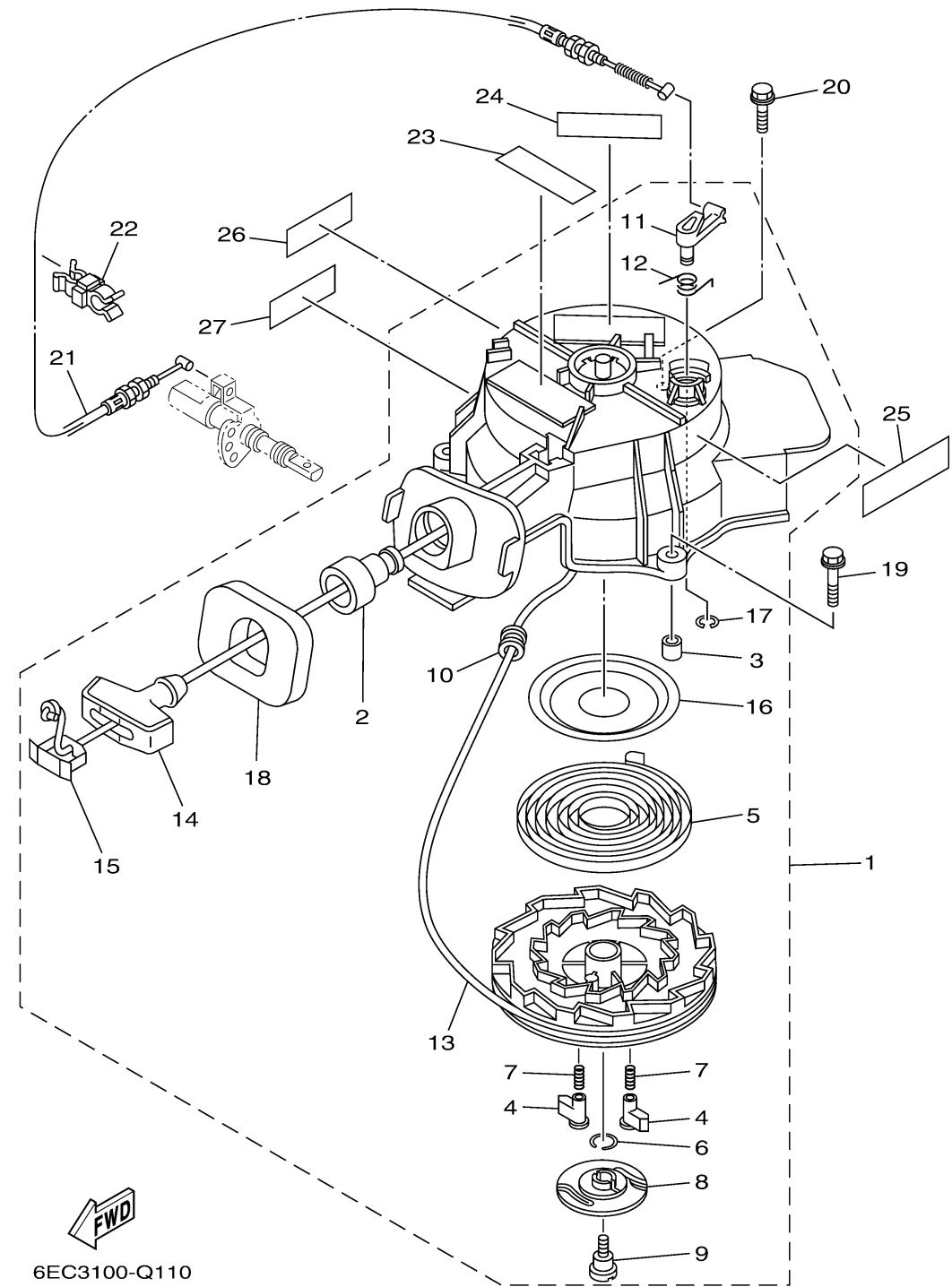


# STARTER



6EC3100-Q110

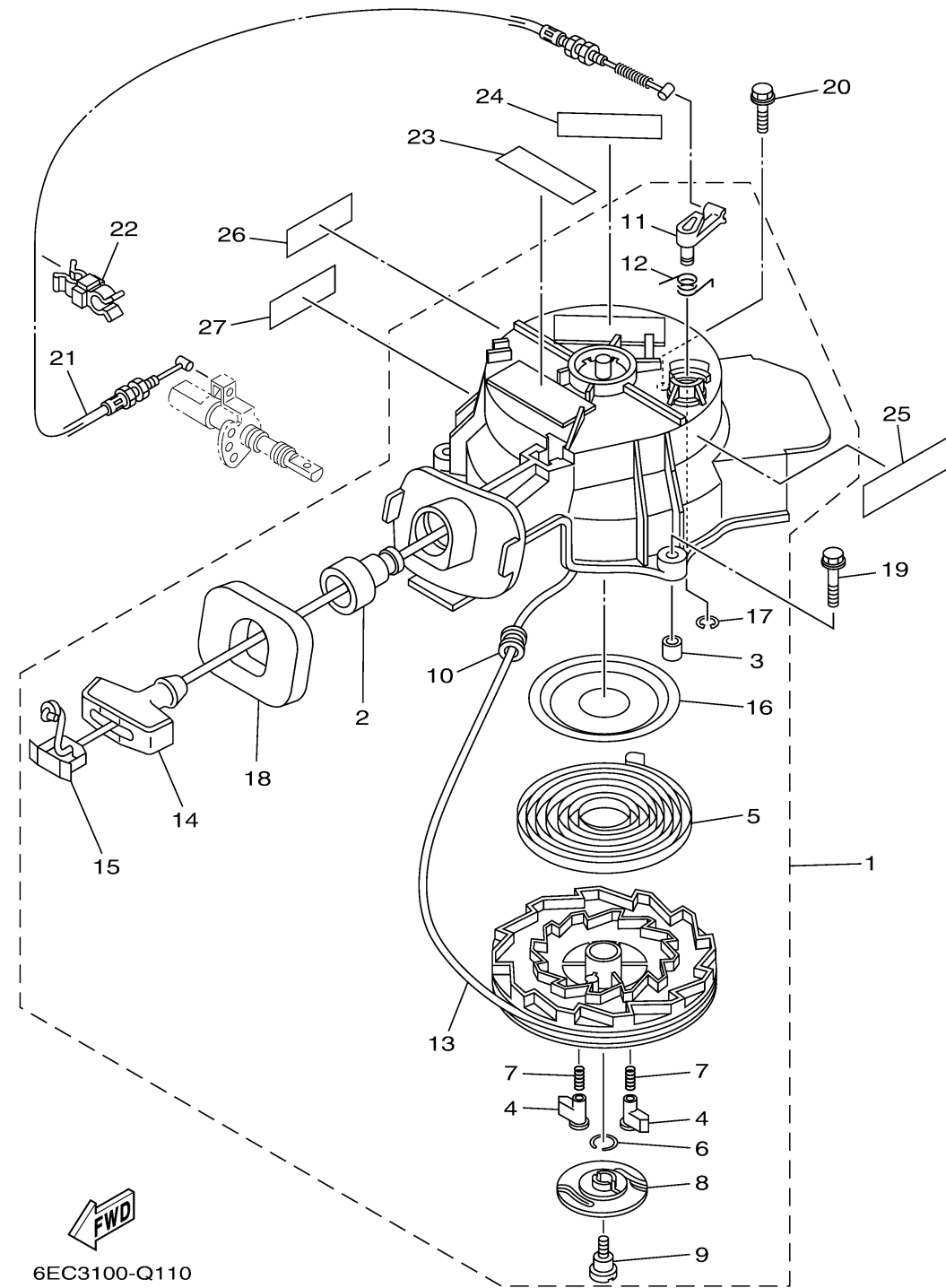
\*1: CUT FROM 50M ROLLS, PART NO. 90790-48192, CUTTING LENGTH 1.8M

Ref No.	Part Number	Description	Qty	Remarks
1	6EE-E5710-00-00	STARTER ASSY	1	
2	63V-15795-01-00	..GUIDE, ROPE	1	
3	67D-15764-00-00	..COLLAR 1	3	
4	67D-15741-00-00	..PAWL, DRIVE	2	
5	67D-15713-00-00	..SPRING, STARTER	1	
6	6BX-15705-00-00	..SPRING, DRIVE PAWL	1	
7	67D-15767-00-00	..SPRING	2	
8	67D-15735-00-00	..GUIDE, CAM	1	
9	67D-15793-00-00	..SCREW	1	
10	68T-15764-00-00	..COLLAR 1	1	
11	67D-15794-01-00	..STOPPER	1	
12	67D-15734-00-00	..SPRING, RETURN	1	
13	90790-48192-00	STARTER, ROPE	1	NOT AVAILABLE-OBTAIN LOCALLY CUT TO 1.8M
14	6G1-15755-00-00	..HANDLE, STARTER	1	
15	6G1-15779-00-00	..COVER	1	
16	67D-15739-00-00	..WASHER, THRUST	1	
17	67D-15744-00-00	..CIRCLIP	1	
18	6BX-15762-00-00	..SEAL, RUBBER 2	1	
19	97E95-06535-00	BOLT, HEXAGON W/W DEEP RECESS	2	
20	97E95-06520-00	BOLT, HEXAGON W/W DEEP RECESS	1	

CONTINUED ON NEXT FRAME >

# STARTER

Ref No.	Part Number	Description	Qty	Remarks
21	6BX-E5770-00-00	CABLE COMP., STARTER STOP	1	
22	90464-07008-00	CLAMP	1	
23	6EE-H1995-40-00	LABEL, WARNING	1	
24	6EE-H1995-50-00	LABEL, WARNING	1	
25	6EE-E4427-60-00	LABEL, INSTRUCTION	1	
26	6EE-H1994-40-00	LABEL, SAFETY	1	
27	6EE-H1994-50-00	LABEL, SAFETY	1	



\*1: CUT FROM 50M ROLLS, PART NO.90790-48192, CUTTING LENGTH 1.8M