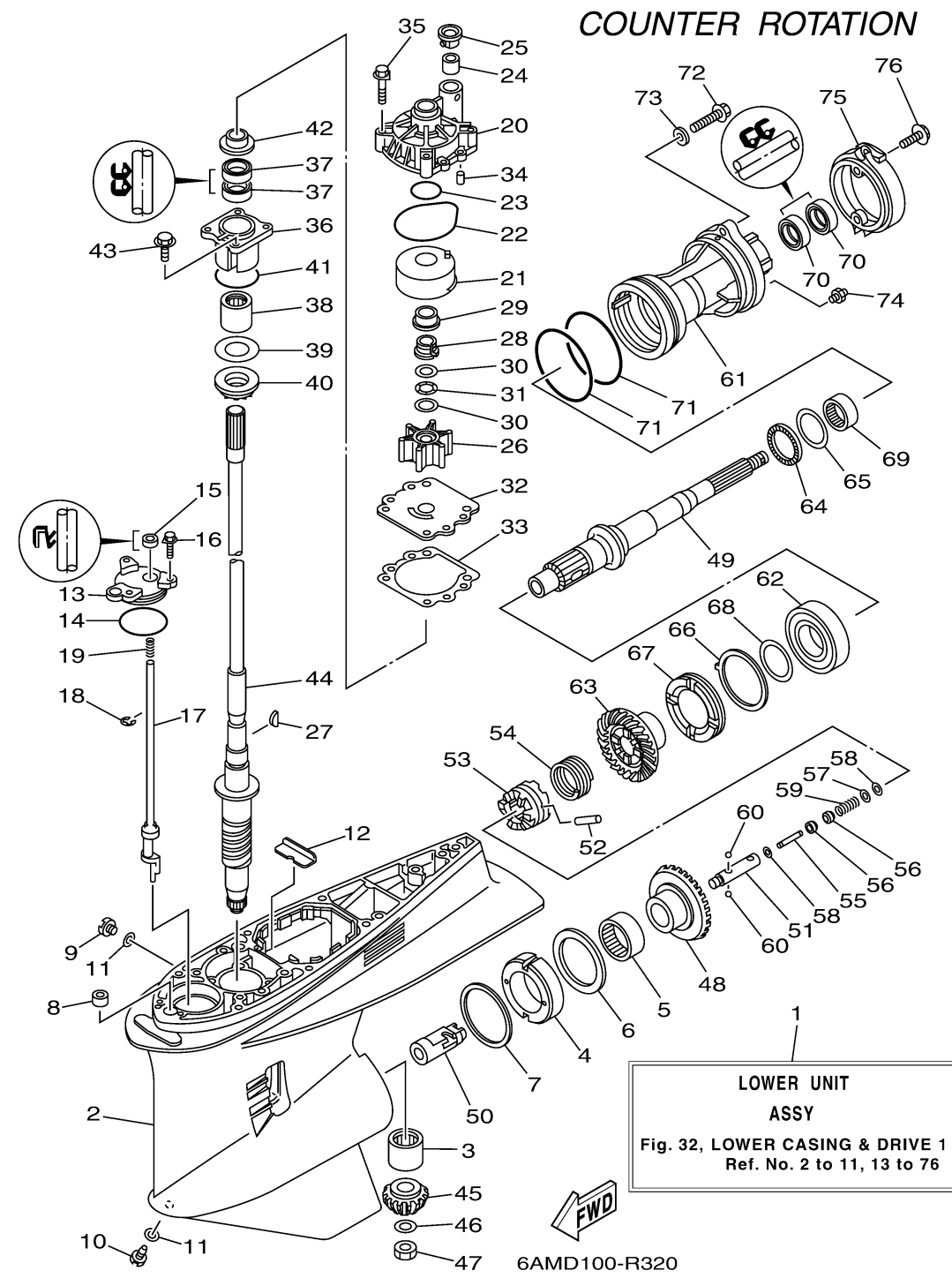


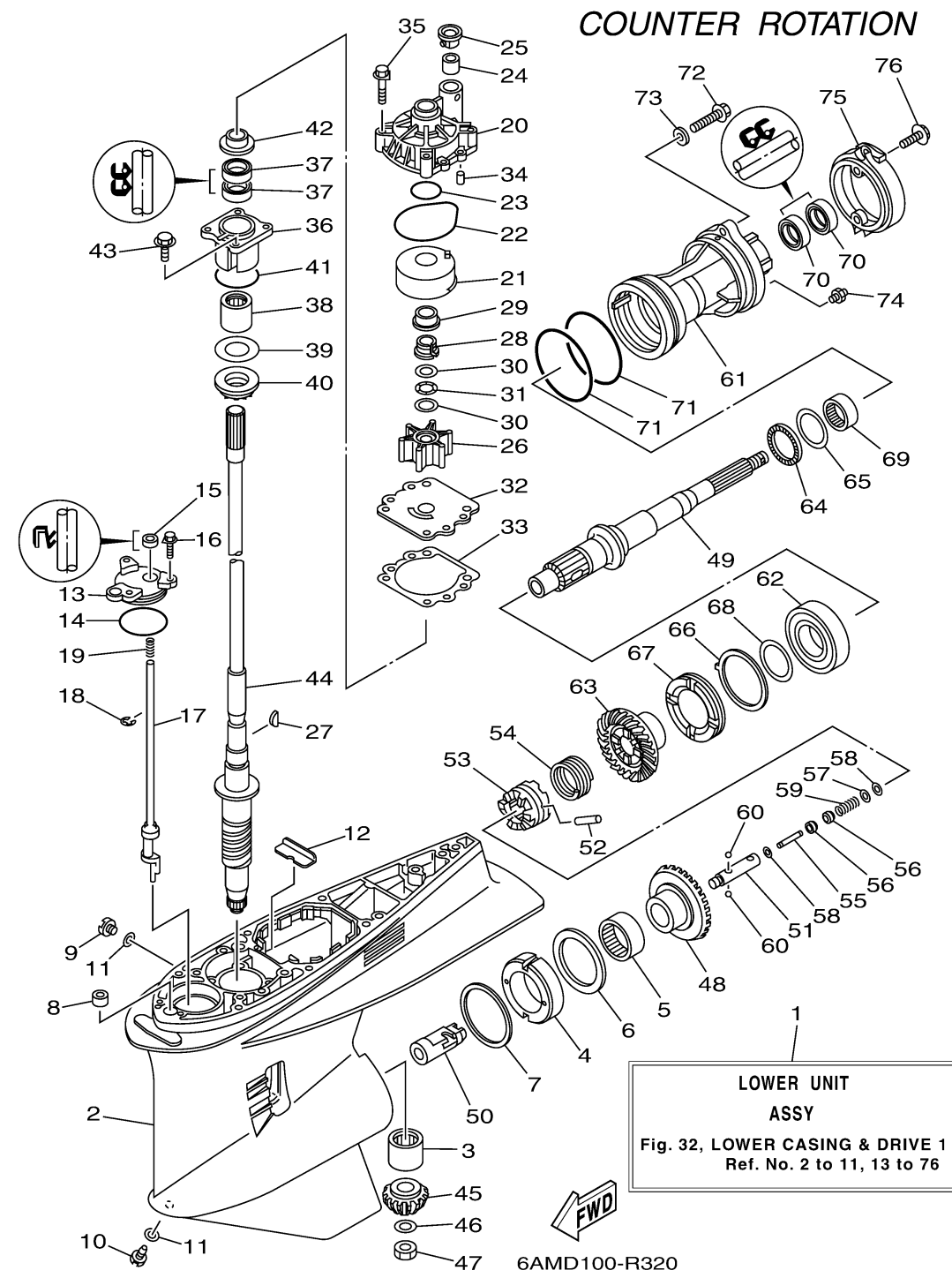
LOWER CASING DRIVE 3



Ref No.	Part Number	Description	Qty	Remarks
1	69K-45300-24-8D	LOWER UNIT ASSY	1	X(25.3"), LH
2	61A-45301-10-8D	CASING, LOWER	1	
3	93311-83280-00	BEARING	1	
4	61B-45538-01-00	SPACER 1	1	
5	93315-660W3-00	BEARING	1	
6	93341-670V0-00	BEARING	1	
7	61A-45567-00-00	SHIM (T:0.10MM)	1	UR
7	61A-45567-10-00	SHIM (T:0.12MM)	1	UR
7	61A-45567-20-00	SHIM (T:0.15MM)	1	UR
7	61A-45567-30-00	SHIM (T:0.18MM)	1	UR
7	61A-45567-40-00	SHIM (T:0.30MM)	1	UR
7	61A-45567-50-00	SHIM (T:0.40MM)	1	UR
7	61A-45567-60-00	SHIM (T:0.50MM)	1	UR
8	663-44366-00-00	DAMPER, WATER SEAL 2	1	
9	90340-08002-00	PLUG, STRAIGHT SCREW	1	
10	688-45341-10-00	PLUG, DRAIN	1	
11	90430-08003-00	.GASKET	2	
12	61A-45376-00-00	GUIDE, SEAL DAMPER	1	
13	61A-45321-01-00	PLATE	1	
14	93210-64488-00	.O-RING	1	

CONTINUED ON NEXT FRAME >

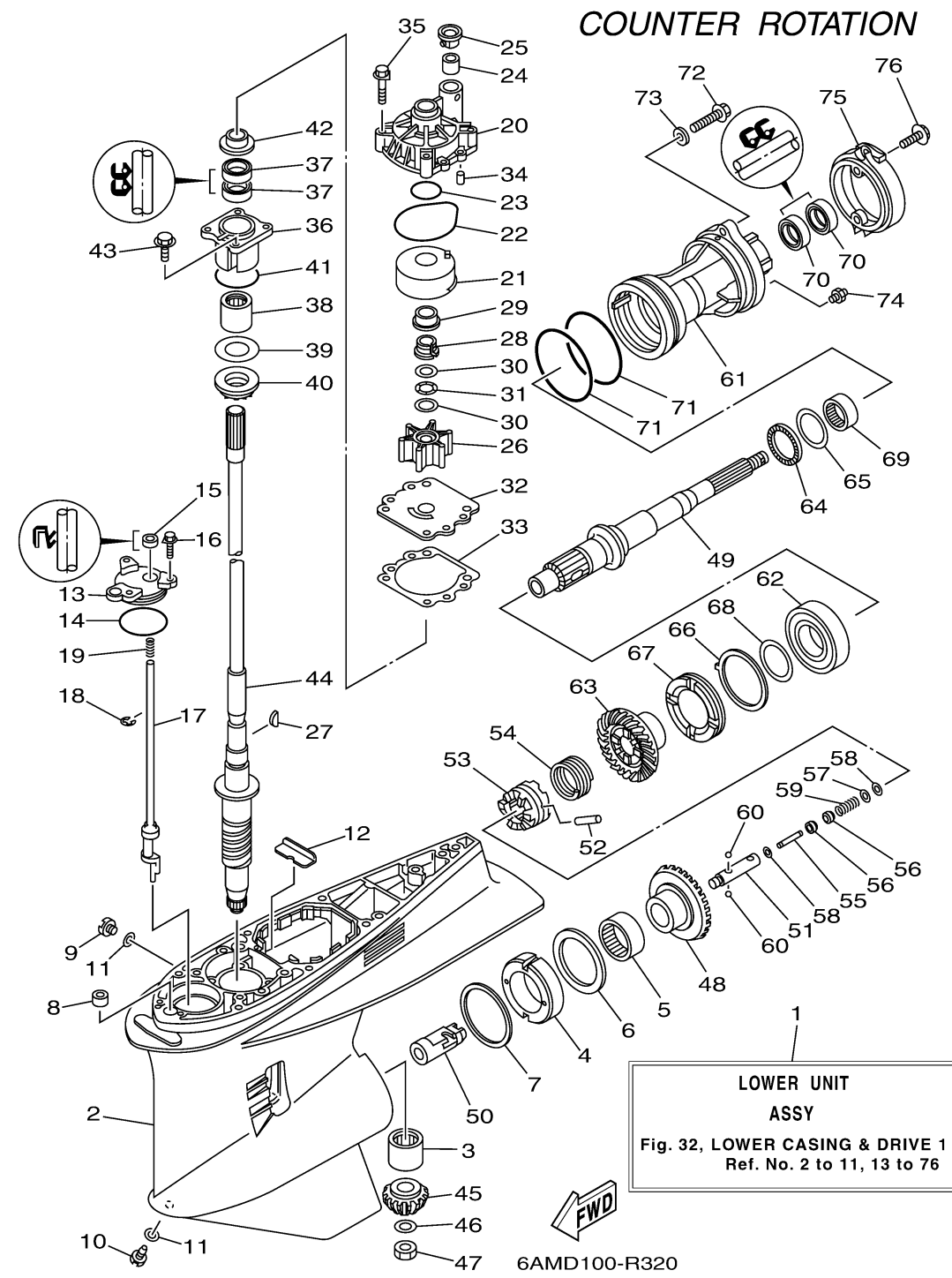
LOWER CASING DRIVE 3



Ref No.	Part Number	Description	Qty	Remarks
15	93106-09014-00	OIL SEAL	1	
16	90119-06M10-00	BOLT, WITH WASHER	3	
17	69K-44150-00-00	SHIFT CAM ASSY	1	
18	99001-08600-00	CIRCLIP	1	
19	90501-11M10-00	SPRING, COMPRESSION	1	
20	61A-44311-01-00	HOUSING, WATER PUMP	1	
21	61A-44322-02-00	INSERT, CARTRIDGE	1	
22	93210-86M38-00	O-RING	1	
23	93210-37160-00	.O-RING	1	
24	6E5-44365-00-00	DAMPER, WATER SEAL 1	1	
25	6E5-44312-00-00	COVER, WATER PUMP HOUSING	1	
26	6E5-44352-01-00	IMPELLER	1	
27	90280-04M05-00	KEY, WOODRUFF	1	
28	61A-45538-00-00	SPACER 1	1	
29	61A-45527-00-00	COLLAR, DRIVE SHAFT	1	
30	90201-22M01-00	WASHER, PLATE	2	
31	90206-22M19-00	WASHER, WAVE	1	
32	6G5-44323-01-00	OUTER PLATE, CARTRIDGE	1	
33	6E5-44315-A0-00	GASKET, WATER PUMP	1	
34	93606-12019-00	PIN, DOWEL	2	

CONTINUED ON NEXT FRAME >

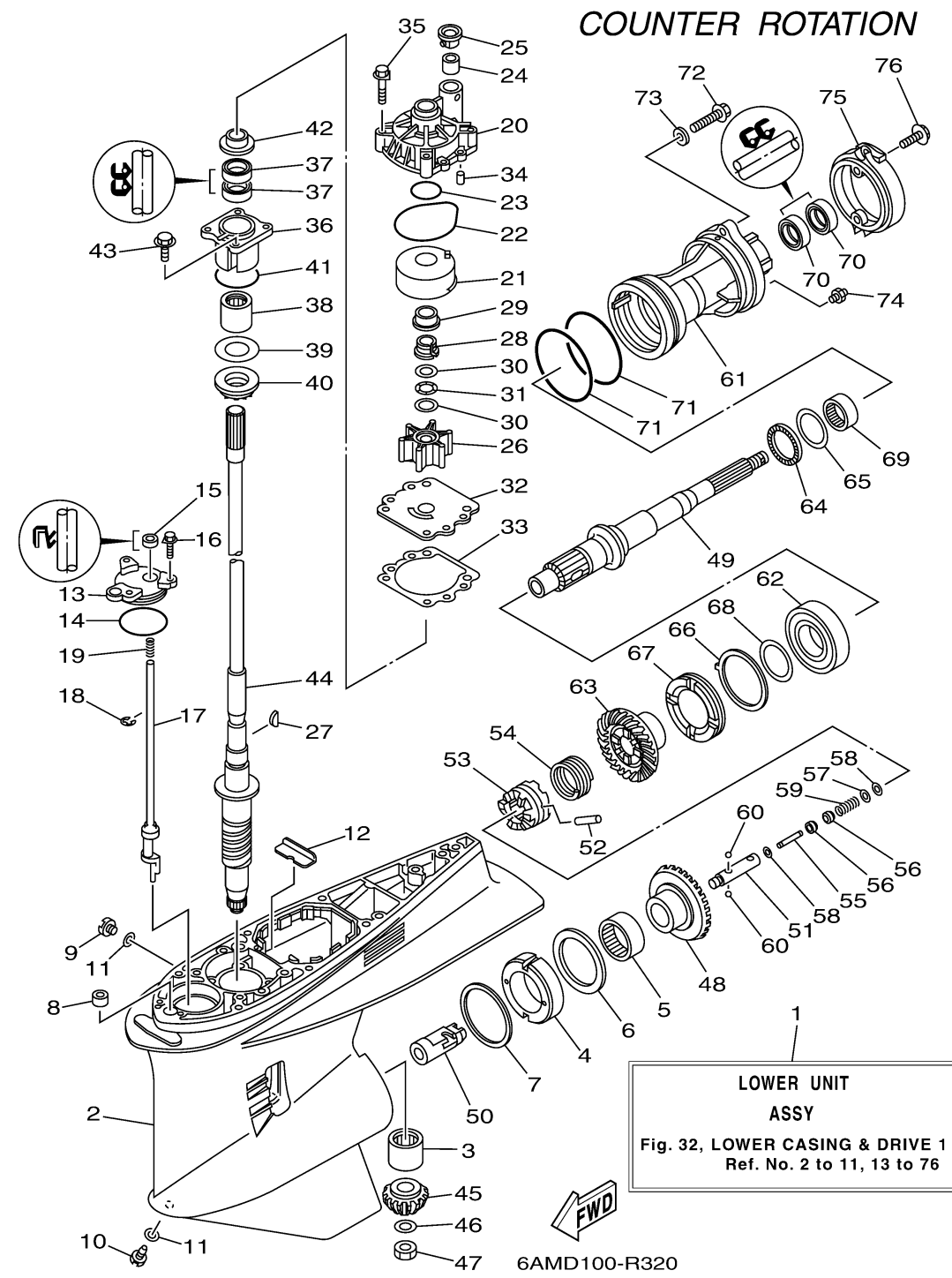
LOWER CASING DRIVE 3



Ref No.	Part Number	Description	Qty	Remarks
35	90119-08M14-00	.BOLT, WITH WASHER	4	
36	61A-45331-00-9S	HOUSING, BEARING	1	
37	93101-28M16-00	OIL SEAL	2	
38	93317-330U2-00	BEARING	1	
39	61A-45587-00-00	SHIM (T:0.10MM)	1	UR
39	61A-45587-10-00	SHIM (T:0.12MM)	1	UR
39	61A-45587-20-00	SHIM (T:0.15MM)	1	UR
39	61A-45587-30-00	SHIM (T:0.18MM)	1	UR
39	61A-45587-40-00	SHIM (T:0.30MM)	1	UR
39	61A-45587-50-00	SHIM (T:0.40MM)	1	UR
39	61A-45587-60-00	SHIM (T:0.50MM)	1	UR
40	93341-93020-00	BEARING	1	
41	93210-55M14-00	O-RING	1	
42	6E5-45344-00-00	COVER, OIL SEAL	1	
43	97E95-08525-00	BOLT, HEXAGON W/W DEEP RECESS	4	
44	69J-45501-00-00	DRIVE SHAFT COMP.	1	X(25.3")
45	6P2-45551-02-00	PINION (15T)	1	
46	90201-16M00-00	WASHER, PLATE	1	
47	90170-16M19-00	NUT	1	
48	6P3-45560-00-00	GEAR 1 (30T)	1	

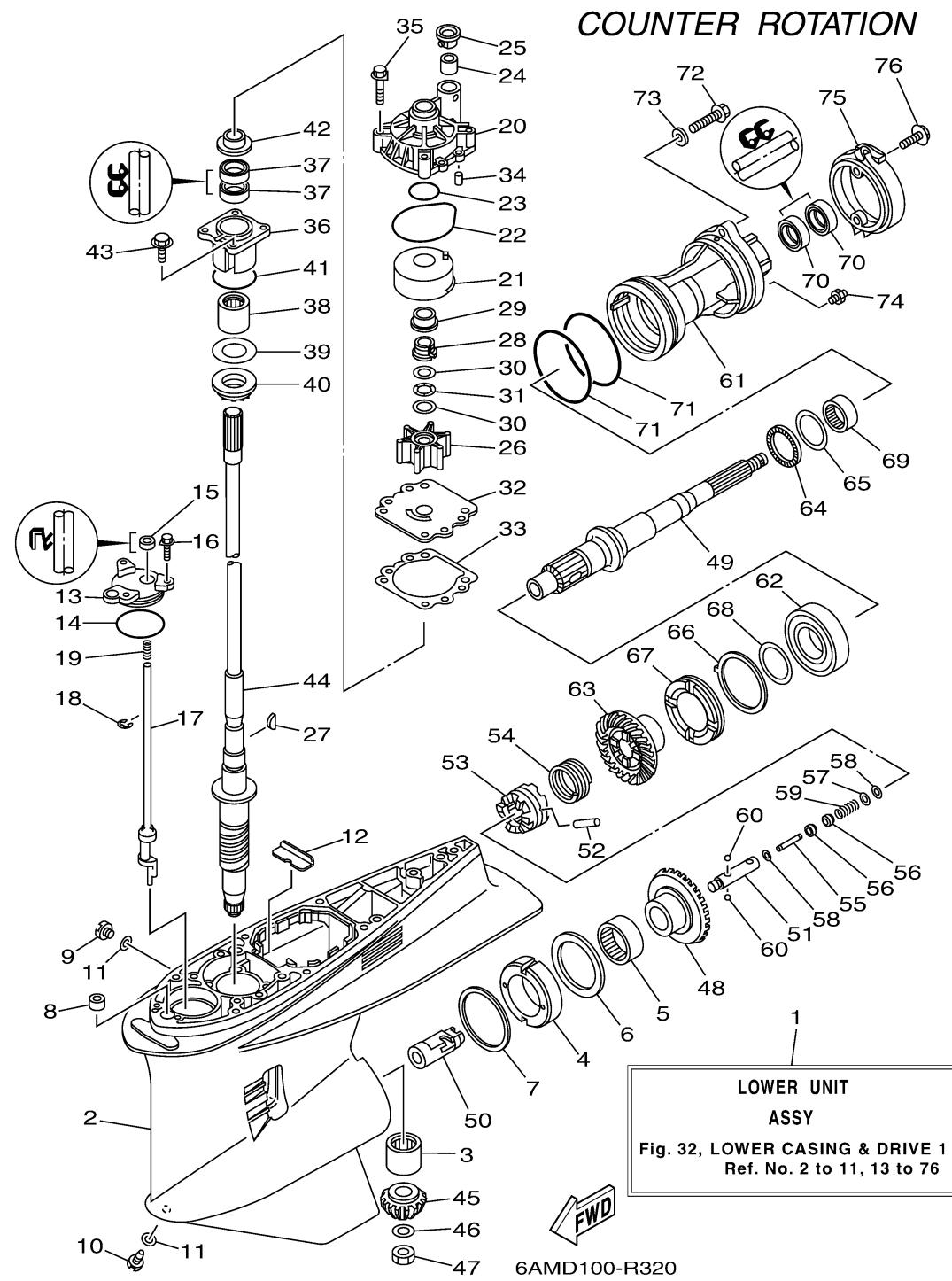
CONTINUED ON NEXT FRAME >

LOWER CASING DRIVE 3



Ref No.	Part Number	Description	Qty	Remarks
49	69K-45611-01-00	SHAFT, PROPELLER	1	
50	61B-45641-01-00	SHIFTER	1	
51	61A-45634-01-00	SLIDE, SHIFT	1	
52	61A-45632-00-00	PIN, CROSS	1	
53	69J-45631-00-00	CLUTCH, DOG	1	
54	61A-45633-00-00	RING, CROSS PIN	1	
55	6H1-45668-00-00	SHAFT, FREE 1	1	
56	61A-45635-00-00	PLUNGER, SHIFT	2	
57	90201-02M00-00	WASHER, PLATE	1	
58	90183-02M03-00	NUT, SPRING	2	
59	90501-10M77-00	SPRING, COMPRESSION	1	
60	93501-04011-00	BALL	2	
61	69K-45332-00-00	HOUSING, BEARING	1	
62	93332-00048-00	BEARING	1	
63	6P3-45571-01-00	GEAR 2 (30T)	1	
64	93341-440U5-00	BEARING	1	
65	6K1-45578-01-00	SHIM (T:0.10MM)	1	UR
65	6K1-45578-10-00	SHIM (T:0.12MM)	1	UR
65	6K1-45578-20-00	SHIM (T:0.15MM)	1	UR
65	6K1-45578-30-00	SHIM (T:0.18MM)	1	UR

CONTINUED ON NEXT FRAME >



LOWER CASING DRIVE 3

Ref No.	Part Number	Description	Qty	Remarks
65	6K1-45578-40-00	SHIM (T:0.30MM)	1	UR
65	6K1-45578-50-00	SHIM (T:0.40MM)	1	UR
65	6K1-45578-60-00	SHIM (T:0.50MM)	1	UR
66	61B-45383-00-00	WASHER, CLAW	1	
67	69K-45384-00-00	NUT	1	
68	69K-45577-00-00	SHIM (T:0.10MM)	1	UR
68	69K-45577-10-00	SHIM (T:0.12MM)	1	UR
68	69K-45577-20-00	SHIM (T:0.15MM)	1	UR
68	69K-45577-30-00	SHIM (T:0.18MM)	1	UR
68	69K-45577-40-00	SHIM (T:0.30MM)	1	UR
68	69K-45577-50-00	SHIM (T:0.40MM)	1	UR
68	69K-45577-60-00	SHIM (T:0.50MM)	1	UR
69	93315-43061-00	BEARING	1	
70	93101-30M17-00	OIL SEAL	2	
71	93211-04384-00	.O-RING	2	
72	90105-08049-00	BOLT, FLANGE	2	
73	90201-08023-00	WASHER, PLATE	2	
74	93700-09M00-00	NIPPLE, GREASE	1	
75	69J-45361-00-8D	CAP, LOWER CASING	1	
76	97E95-08520-00	BOLT, HEXAGON W/W DEEP RECESS	2	