

BOTTOM COWLING 1

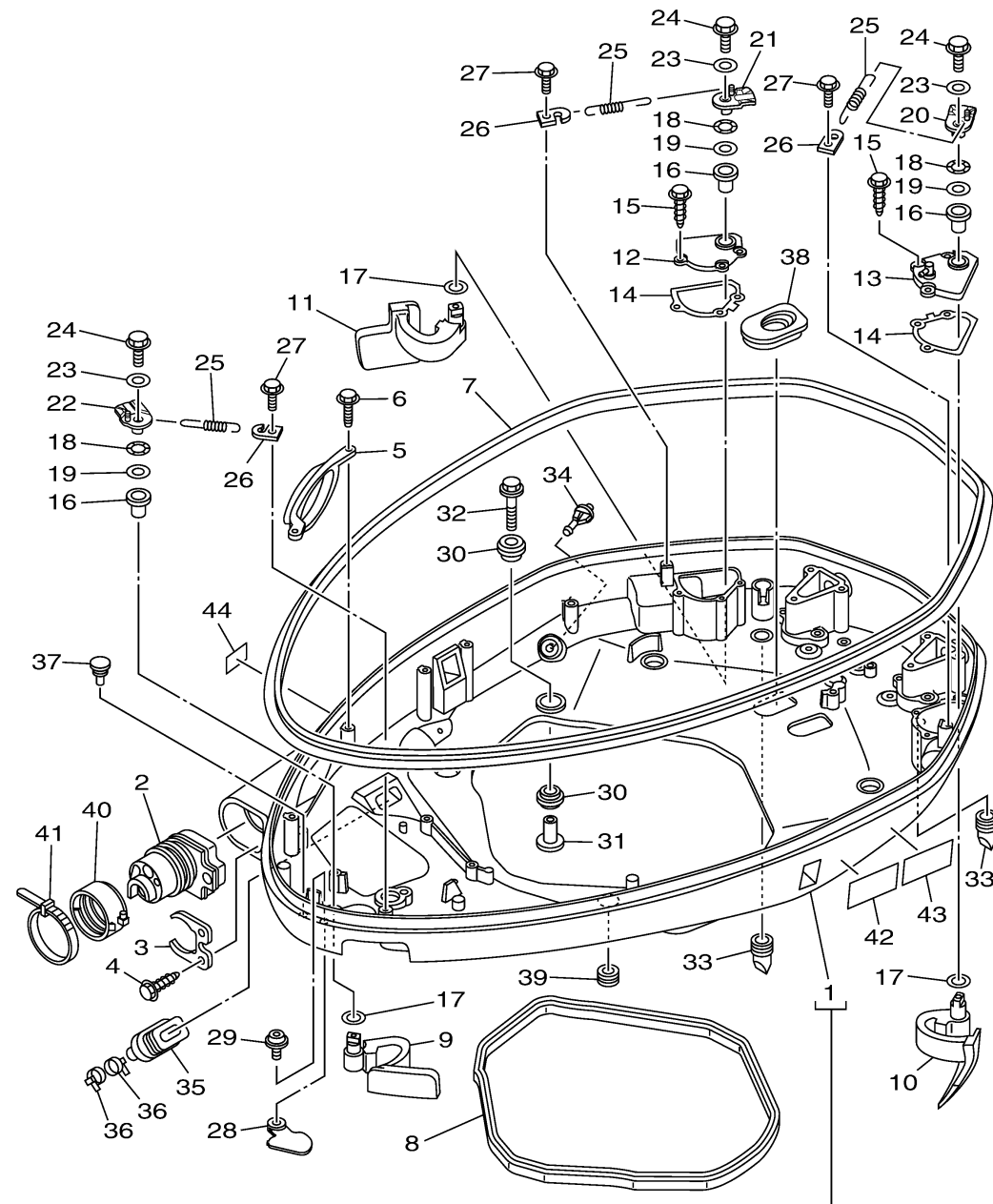


Fig. 7, CYLINDER & CRANKCASE 4
 Ref. No. 11
 Fig. 23, ELECTRICAL 5
 Ref. No. 26, 28, 43
 Fig. 25, BOTTOM COWLING 1
 Ref. No. 4, 6, 15, 27
 Fig. 26, BOTTOM COWLING 2
 Ref. No. 14, 17, 26, 40, 41

FWD
 6AWB100-R250

Ref No.	Part Number	Description	Qty	Remarks
1	6AW-42710-02-8D	BOTTOM COWLING ASSY	1	
2	6AW-42725-01-00	GROMMET	1	
3	6AW-42761-00-00	STOPPER	1	
4	90109-06M86-00	BOLT	2	
5	6AW-42735-00-00	PROTECTOR	1	
6	90109-06M86-00	BOLT	2	
7	6AW-42615-00-00	SEAL	1	
8	63P-42716-00-00	RUBBER SEAL 1	1	
9	6AW-42815-00-8D	LEVER, CLAMP 1	1	
10	6AW-42816-01-8D	LEVER, CLAMP 2	1	
11	6AW-42817-01-8D	LEVER, CLAMP 3	1	
12	6AW-42828-00-9S	PLATE, CLAMP	1	
13	6AW-42829-00-9S	PLATE, CLAMP 2	1	
14	6AW-42722-00-00	GASKET 2	2	
15	90109-06M81-00	BOLT	6	
16	90381-15002-00	BUSH, SOLID	3	
17	90202-15M37-00	WASHER, PLATE	3	
18	90206-15M18-00	WASHER, WAVE	3	
19	90201-156J2-00	WASHER, PLATE	3	
20	6AW-42818-01-00	LEVER, CLAMP 4	1	

CONTINUED ON NEXT FRAME >

BOTTOM COWLING 1

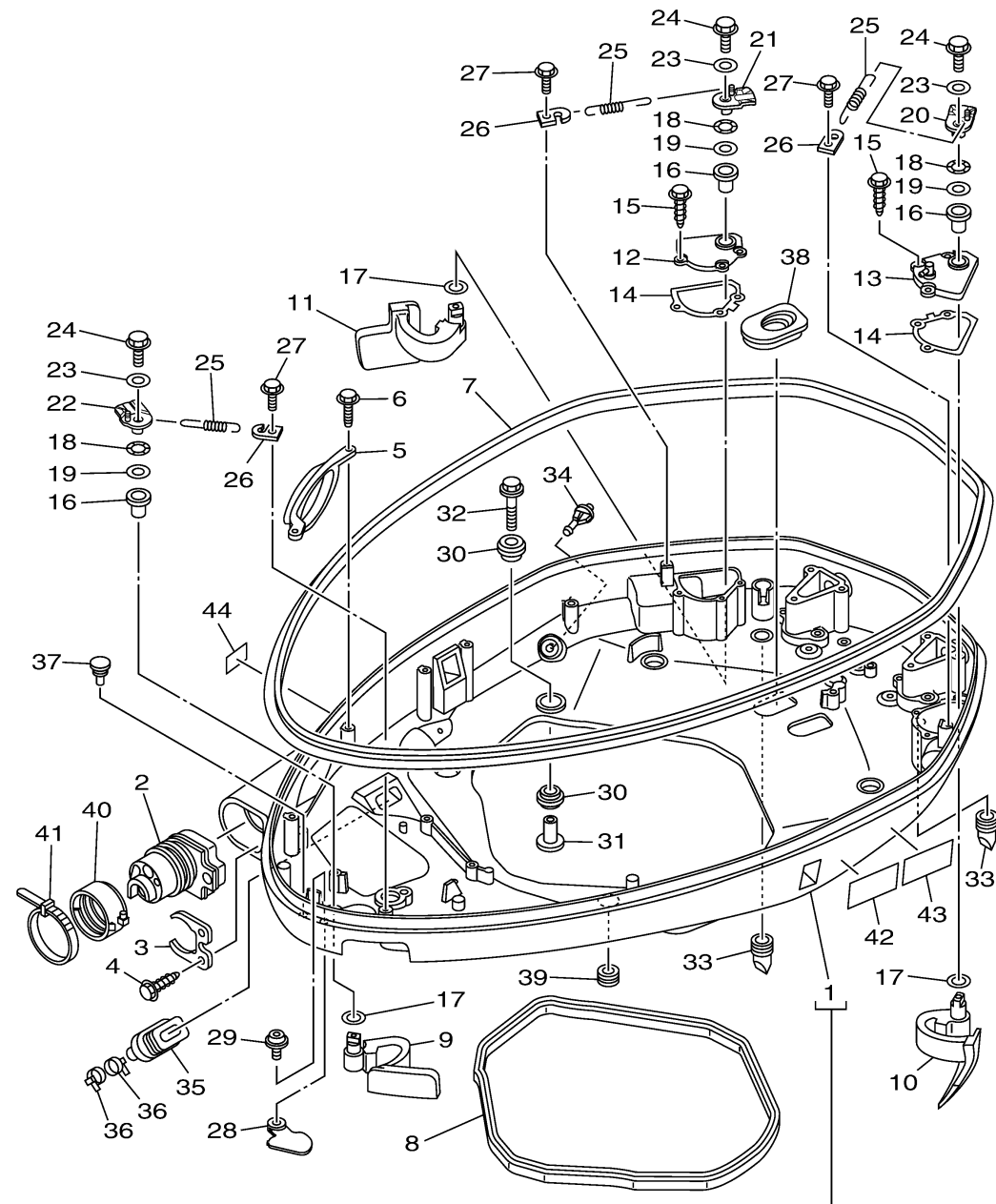


Fig. 7, CYLINDER & CRANKCASE 4
 Ref. No. 11
 Fig. 23, ELECTRICAL 5
 Ref. No. 26, 28, 43
 Fig. 25, BOTTOM COWLING 1
 Ref. No. 4, 6, 15, 27
 Fig. 26, BOTTOM COWLING 2
 Ref. No. 14, 17, 26, 40, 41


 6AWB100-R250

Ref No.	Part Number	Description	Qty	Remarks
21	6AW-42819-01-00	LEVER, CLAMP 5	1	
22	6AW-4281A-01-00	LEVER, CLAMP 6	1	
23	90201-06M30-00	WASHER, PLATE	3	
24	90105-06155-00	BOLT, FLANGE	3	
25	90506-22001-00	SPRING, TENSION	3	
26	66T-43144-00-00	HOOK, SPRING	3	
27	90109-06M86-00	BOLT	3	
28	6AW-42851-00-00	COVER, CLAMP	1	
29	90111-06094-00	BOLT,HEX. SOCKET BUTTON	1	
30	90480-22M81-00	GROMMET	12	
31	90387-08M37-00	.COLLAR	6	
32	90119-08M22-00	BOLT, WITH WASHER	6	
33	61A-42717-00-00	RUBBER, SEAL 2	2	
34	6P2-44391-00-00	NIPPLE, HOSE	1	
35	6H1-42726-21-00	GROMMET	1	
36	90465-11M10-00	CLAMP	2	
37	6H4-42748-00-00	GROMMET	1	
38	6AW-42726-00-00	GROMMET	2	
39	90480-16007-00	GROMMET	1	
40	68F-42753-00-00	FASTNER	1	AP

CONTINUED ON NEXT FRAME >

BOTTOM COWLING 1

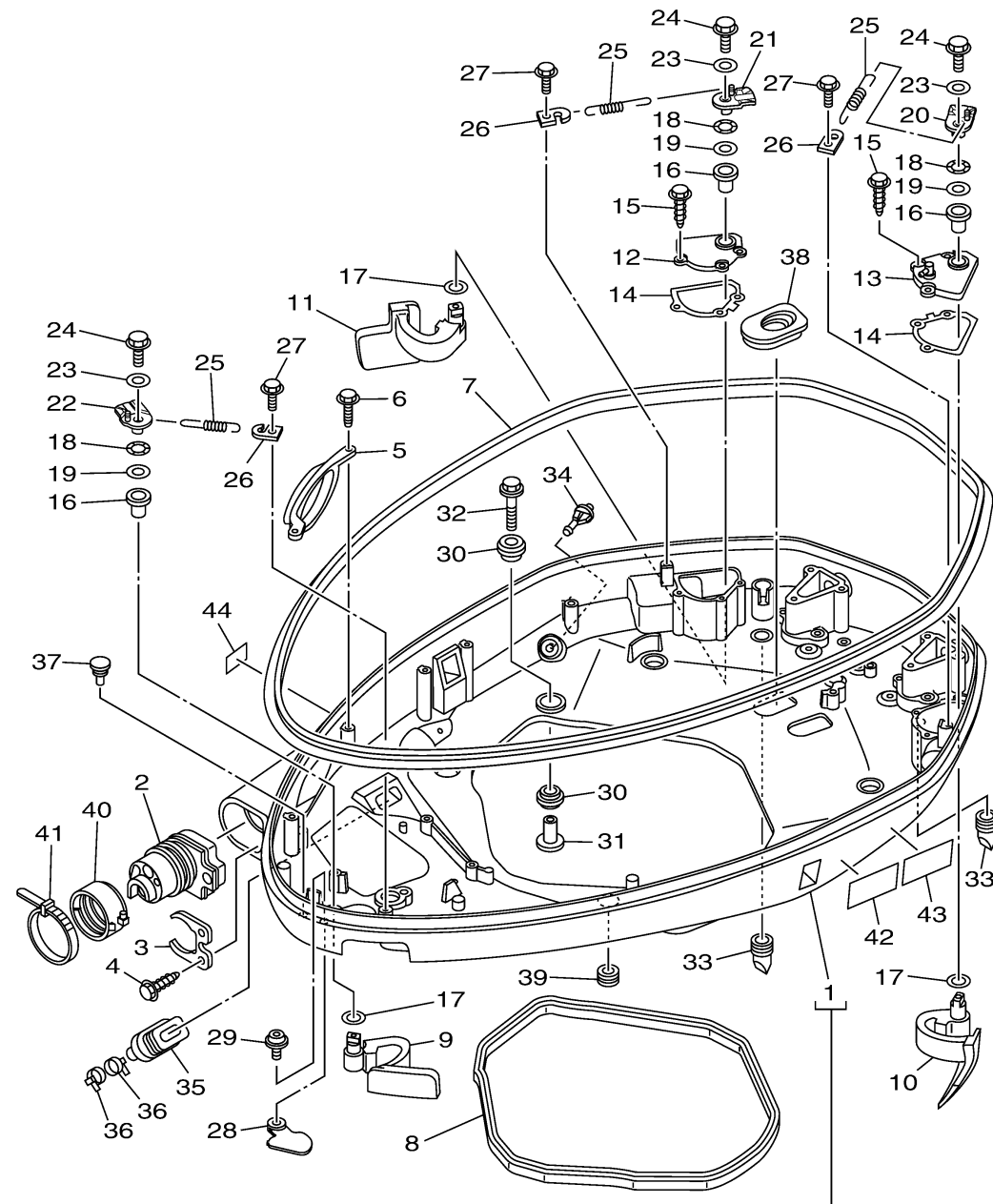


Fig. 7, CYLINDER & CRANKCASE 4
 Ref. No. 11
 Fig. 23, ELECTRICAL 5
 Ref. No. 26, 28, 43
 Fig. 25, BOTTOM COWLING 1
 Ref. No. 4, 6, 15, 27
 Fig. 26, BOTTOM COWLING 2
 Ref. No. 14, 17, 26, 40, 41

Ref No.	Part Number	Description	Qty	Remarks
41	90464-20258-00	CLAMP	1	AP
42	6EE-42794-40-00	LABEL, WARNING (GENERAL)	1	
43	6EE-42794-50-00	LABEL, WARNING (GENERAL)	1	
44	6AH-81996-00-00	MARK	1	


 6AWB100-R250