

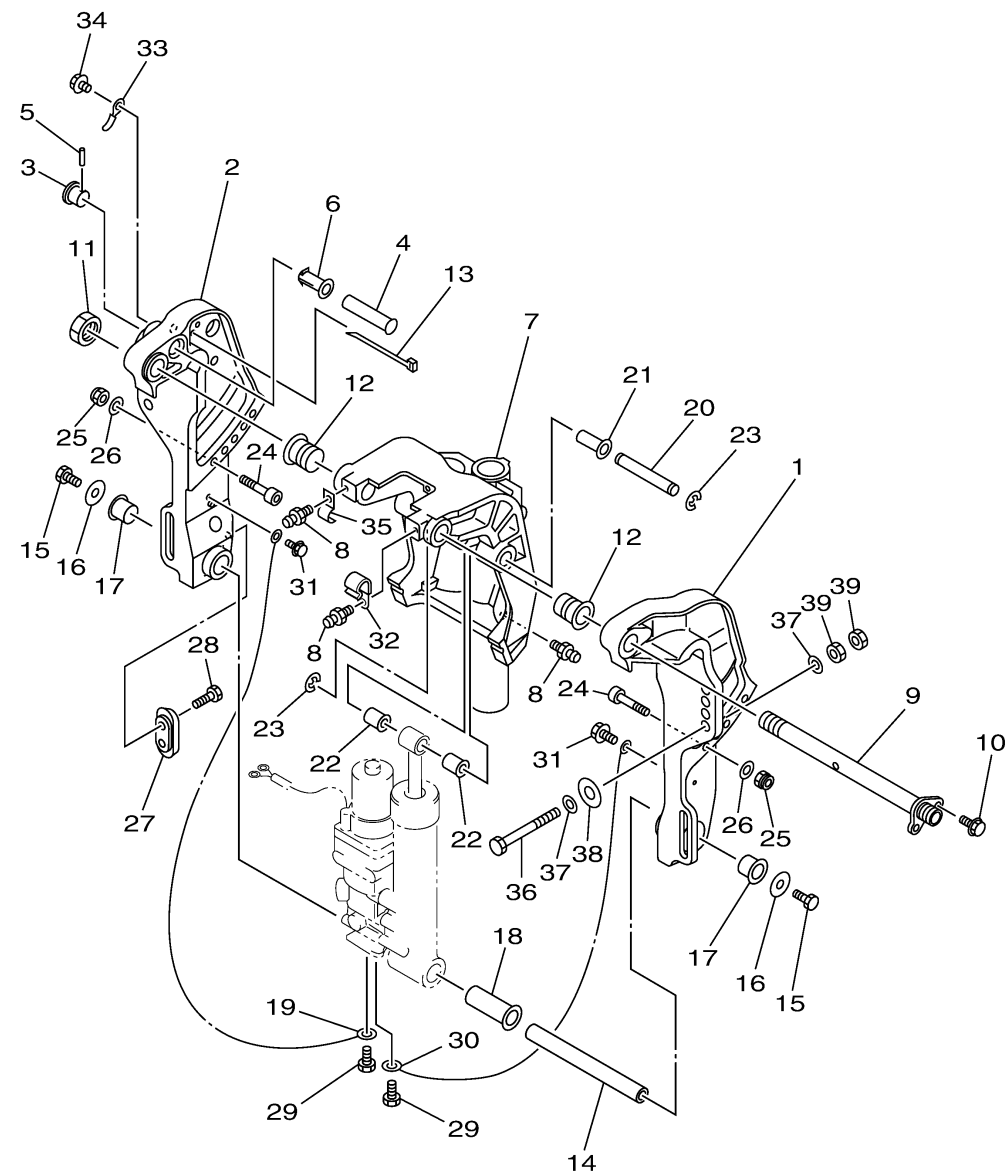
BRACKET 1

| Ref No. | Part Number | Description | Qty | Remarks |
|---------|-----------------|-------------------------------|-----|---------|
| 1 | 6K9-43111-10-8D | BRACKET, CLAMP 1 | 1 | |
| 2 | 6BG-43112-10-8D | BRACKET, CLAMP 2 | 1 | |
| 3 | 65W-43192-00-00 | KNOB, STOPPER | 1 | |
| 4 | 65W-43191-00-00 | SHAFT, STOPPER | 1 | |
| 5 | 91690-30018-00 | PIN, SPRING | 1 | |
| 6 | 90386-14MA1-00 | BUSH | 1 | |
| 7 | 6BG-43311-10-8D | BRACKET, SWIVEL 1 | 1 | |
| 8 | 93700-06M03-00 | NIPPLE, GREASE | 3 | |
| 9 | 6K9-43131-01-00 | BOLT, CLAMP BRACKET | 1 | |
| 10 | 97E95-08520-00 | BOLT, HEXAGON W/W DEEP RECESS | 1 | |
| 11 | 90185-22043-00 | NUT, SELF-LOCKING | 1 | |
| 12 | 90386-22MA4-00 | BUSH | 2 | |
| 13 | 90465-13M11-00 | CLAMP | 2 | |
| 14 | 90249-18M35-00 | PIN | 1 | |
| 15 | 97080-08016-00 | BOLT | 2 | |
| 16 | 90201-08M00-00 | WASHER, PLATE | 2 | |
| 17 | 90386-18M44-00 | BUSH | 2 | |
| 18 | 90386-18MA0-00 | BUSH | 1 | |
| 19 | 6H1-82148-00-00 | WIRE, LEAD 4 | 1 | |
| 20 | 90249-12M38-00 | PIN | 1 | |

CONTINUED ON NEXT FRAME >



6BLB100-S210



6BLB100-S210

BRACKET 1

| Ref No. | Part Number | Description | Qty | Remarks |
|---------|-----------------|-------------------------------|-----|---------|
| 21 | 90381-12M10-00 | BUSH, SOLID | 1 | |
| 22 | 90381-12M11-00 | BUSH, SOLID | 2 | |
| 23 | 99080-10600-00 | CIRCLIP | 2 | |
| 24 | 90110-10M02-00 | BOLT, HEXAGON SOCKET HEAD | 2 | |
| 25 | 90185-10M13-00 | NUT, SELF-LOCKING | 2 | |
| 26 | 92995-10600-00 | WASHER | 2 | |
| 27 | 65W-45251-00-00 | ANODE | 1 | |
| 28 | 90101-06020-00 | BOLT | 2 | |
| 29 | 97085-06010-00 | BOLT | 2 | |
| 30 | 6U0-82127-00-00 | WIRE, LEAD 2 | 1 | |
| 31 | 97E95-06514-00 | BOLT, HEXAGON W/W DEEP RECESS | 2 | |
| 32 | 90465-08M07-00 | CLAMP | 1 | |
| 33 | 90465-10M77-00 | CLAMP | 1 | |
| 34 | 97E95-06514-00 | BOLT, HEXAGON W/W DEEP RECESS | 1 | |
| 35 | 90465-08M63-00 | CLAMP | 1 | |
| 36 | 90101-12M65-00 | BOLT | 4 | |
| 37 | 90201-12062-00 | WASHER, PLATE | 8 | |
| 38 | 90201-12426-00 | WASHER, PLATE | 4 | |
| 39 | 95380-12600-00 | NUT | 8 | |