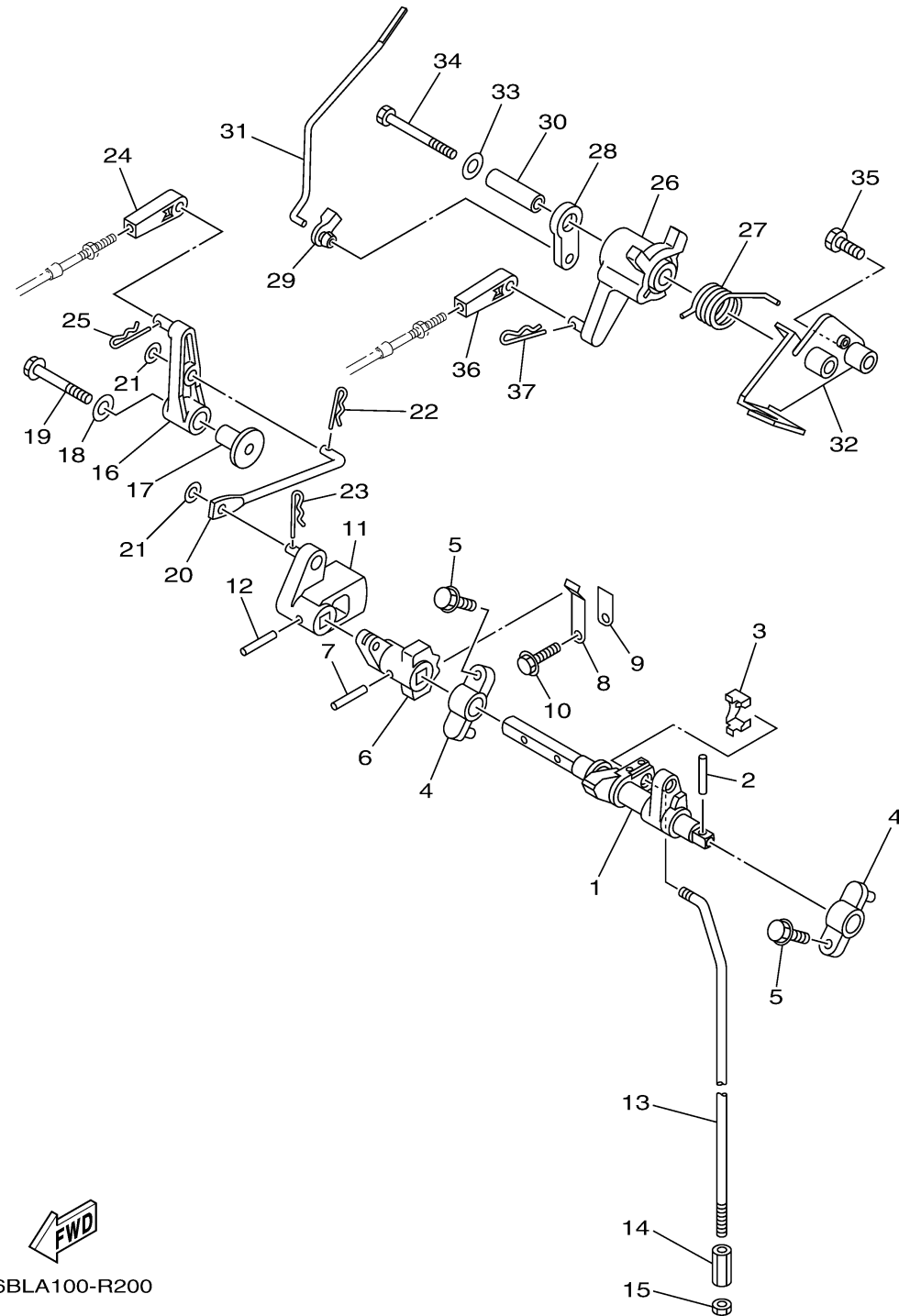


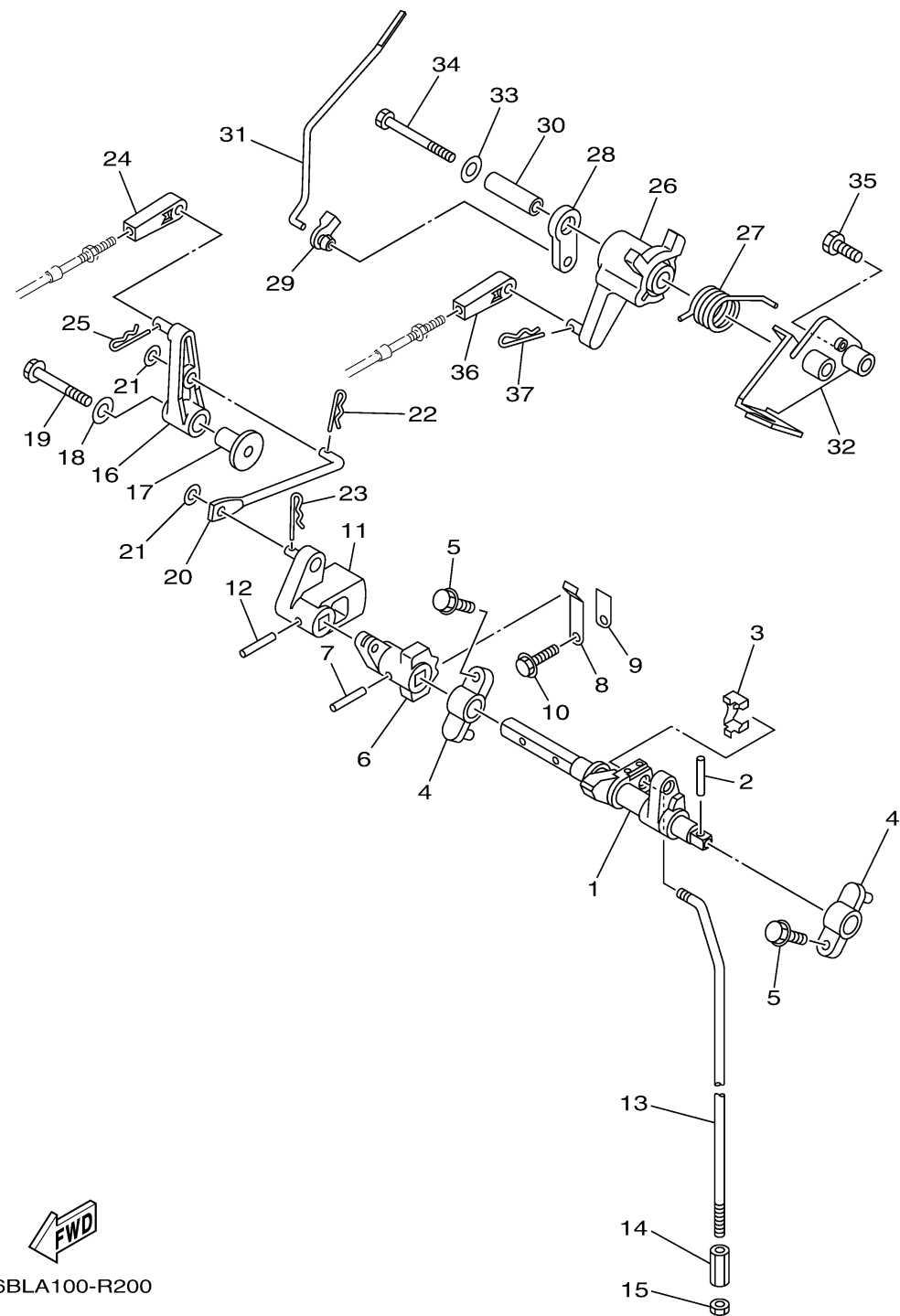
CONTROL

Ref No.	Part Number	Description	Qty	Remarks
1	6BL-44121-01-00	LEVER, SHIFT ROD	1	
2	90254-03M05-00	PIN, SPRING	1	
3	6AH-26364-00-00	END, CABLE 2	1	
4	6G1-41662-01-94	BRACKET 2	2	
5	97E95-06520-00	BOLT, HEXAGON W/W DEEP RECESS	2	
6	6BL-44173-00-00	LEVER, SHIFT CONTROL	1	
7	90254-03M05-00	PIN, SPRING	1	
8	65W-44116-00-00	SPRING	1	
9	66R-44114-00-00	STOPPER	1	
10	95D95-06014-00	BOLT, FLANGE DEEP RECESS	1	
11	6BL-44142-00-00	JOINT	1	
12	90254-03M05-00	PIN, SPRING	1	
13	6BL-44143-00-00	ROD, SHIFT 1	1	
14	67C-44146-00-00	CONNECTOR, SHIFT ROD 2	1	
15	95380-06700-00	NUT	1	
16	6BL-44125-00-00	LEVER, SHIFT ROD	1	
17	90387-06M86-00	COLLAR	1	
18	90201-06M31-00	WASHER, PLATE	1	
19	97E95-06535-00	.BOLT, HEXAGON W/W DEEP RECESS	1	
20	6BL-44192-00-00	LINK, SHIFT ROD	1	

CONTINUED ON NEXT FRAME >



6BLA100-R200



CONTROL

Ref No.	Part Number	Description	Qty	Remarks
21	90201-05M06-00	WASHER, PLATE	2	
22	90468-10005-00	CLIP	1	
23	90468-18001-00	CLIP	1	
24	6FM-48344-00-00	.CABLE END, REMOTE CONTROL	1	
25	90468-18008-00	CLIP	1	
26	6BL-41638-00-00	PULLEY	1	
27	90508-20040-00	SPRING, TORSION	1	
28	65W-41283-00-00	LEVER, FREE ACCEL.	1	
29	6J8-41262-00-00	JOINT, CHOKE LEVER	1	
30	90387-06139-00	COLLAR	1	
31	6BL-41211-00-00	LINK, ACCEL.	1	
32	6BL-14571-10-00	BRACKET, THROTTLE	1	
33	90201-06M31-00	WASHER, PLATE	1	
34	97D95-06065-00	BOLT, HEXAGON DEEP RECESS	1	
35	97D95-06025-00	BOLT, HEXAGON DEEP RECESS	1	
36	6FM-48344-00-00	.CABLE END, REMOTE CONTROL	1	
37	90468-18008-00	CLIP	1	