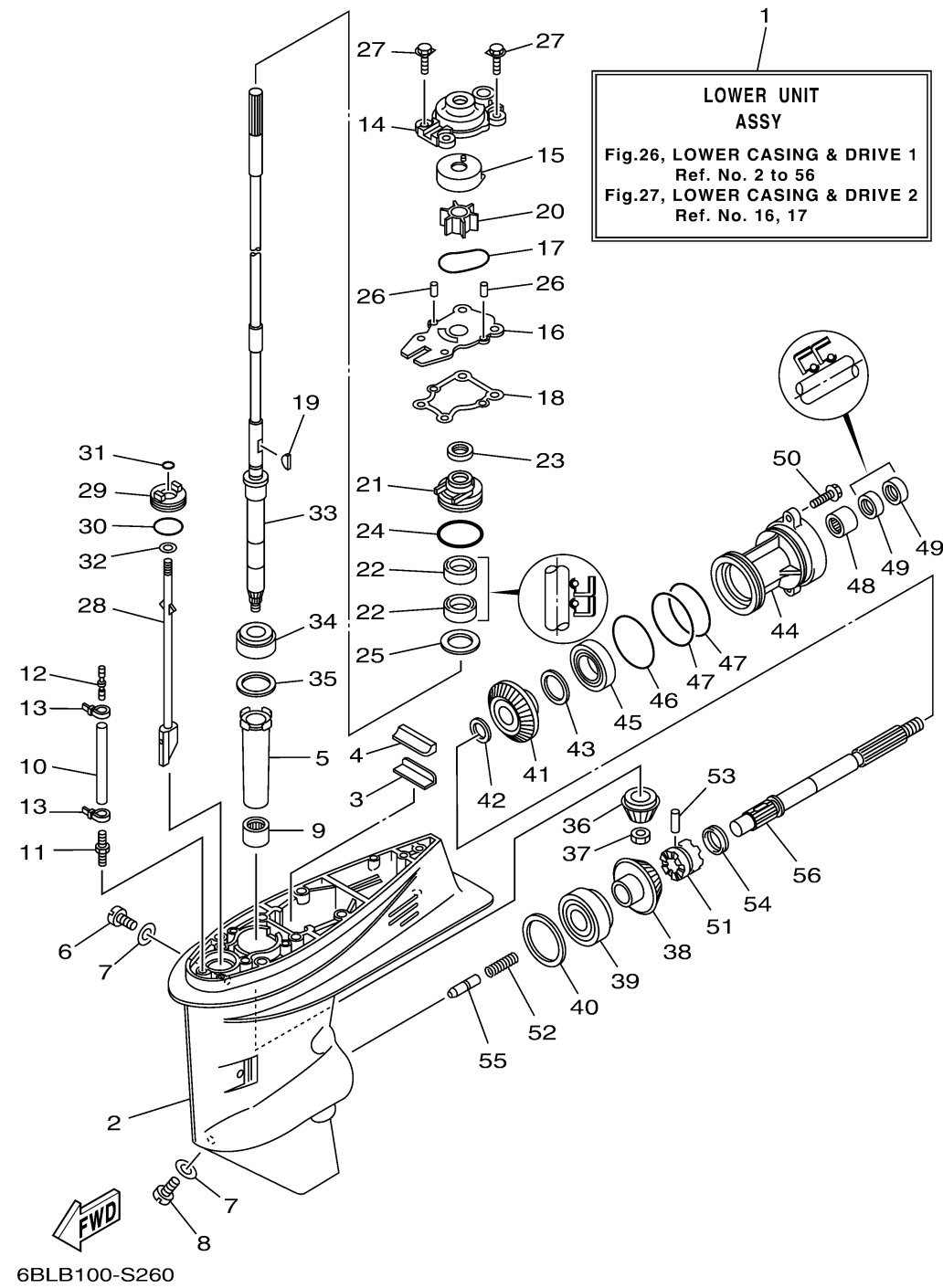


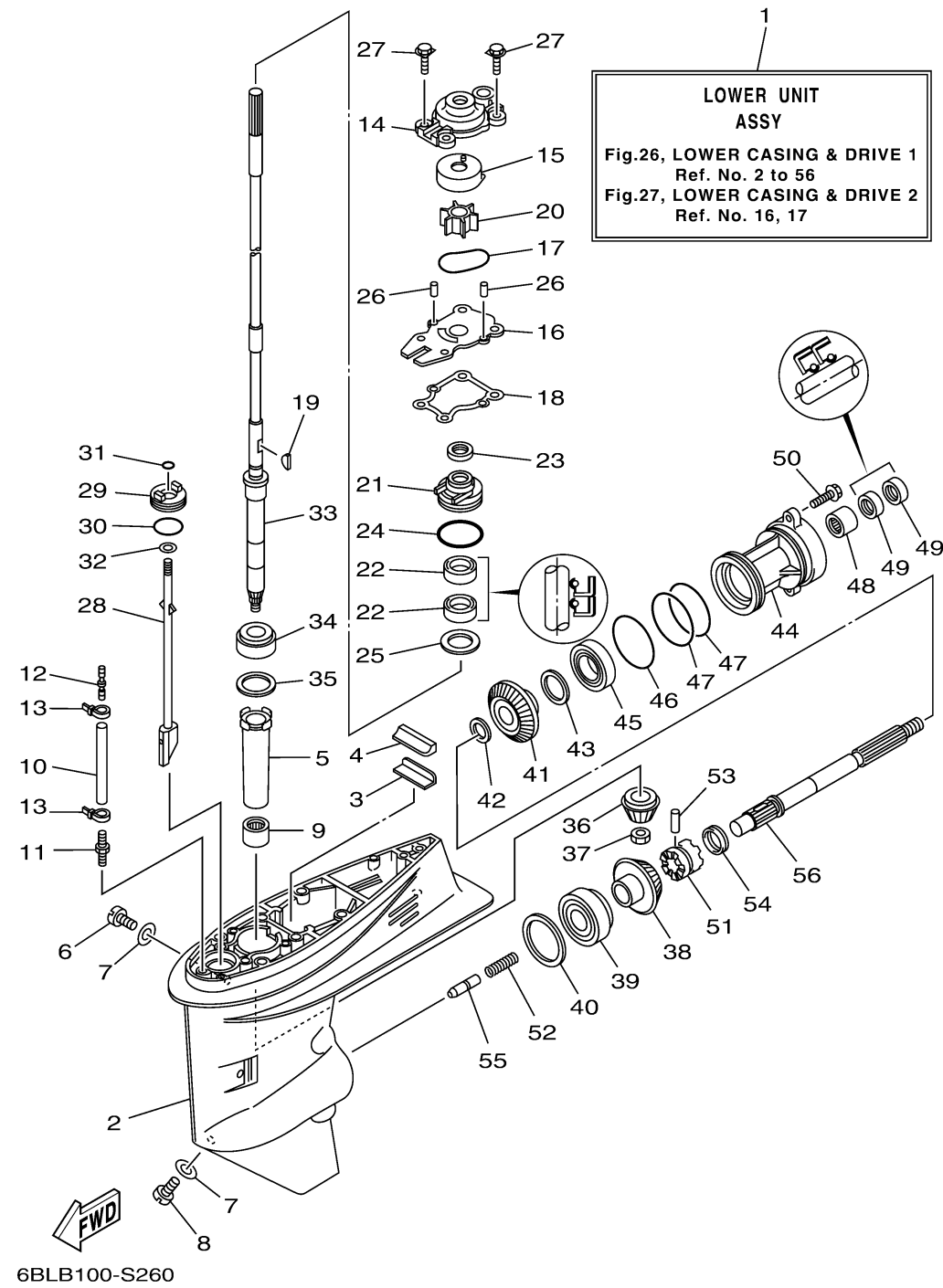
# LOWER CASING DRIVE 1



Ref No.	Part Number	Description	Qty	Remarks
1	6BL-45300-11-8D	LOWER UNIT ASSY	1	L(21.1")
2	67C-45301-00-8D	CASING, LOWER	1	
3	663-45376-00-00	GUIDE, SEAL DAMPER	1	
4	63D-45375-00-00	DAMPER, SEAL	1	
5	6H4-45536-00-00	SLEEVE, DRIVE SHAFT	1	
6	90340-08002-00	PLUG, STRAIGHT SCREW	1	
7	90430-08003-00	GASKET	2	
8	688-45341-10-00	PLUG, DRAIN	1	
9	93315-32224-00	BEARING	1	
10	90445-07ME8-00	HOSE (L80)	1	L(21.1")
11	6E5-45378-00-00	NIPPLE, HOSE	1	
12	6E5-83558-10-00	END, NIPPLE	1	
13	90465-11M10-00	CLAMP	2	
14	6BL-44311-00-00	HOUSING, WATER PUMP	1	
15	63D-44322-00-00	INSERT, CARTRIDGE	1	
16	66T-44323-00-00	.OUTER PLATE, CARTRIDGE	1	
17	93210-59MG7-00	O-RING	1	
18	63D-44316-00-00	GASKET, WATER PUMP	1	
19	90280-03M03-00	KEY, WOODRUFF	1	
20	6H4-44352-02-00	IMPELLER	1	

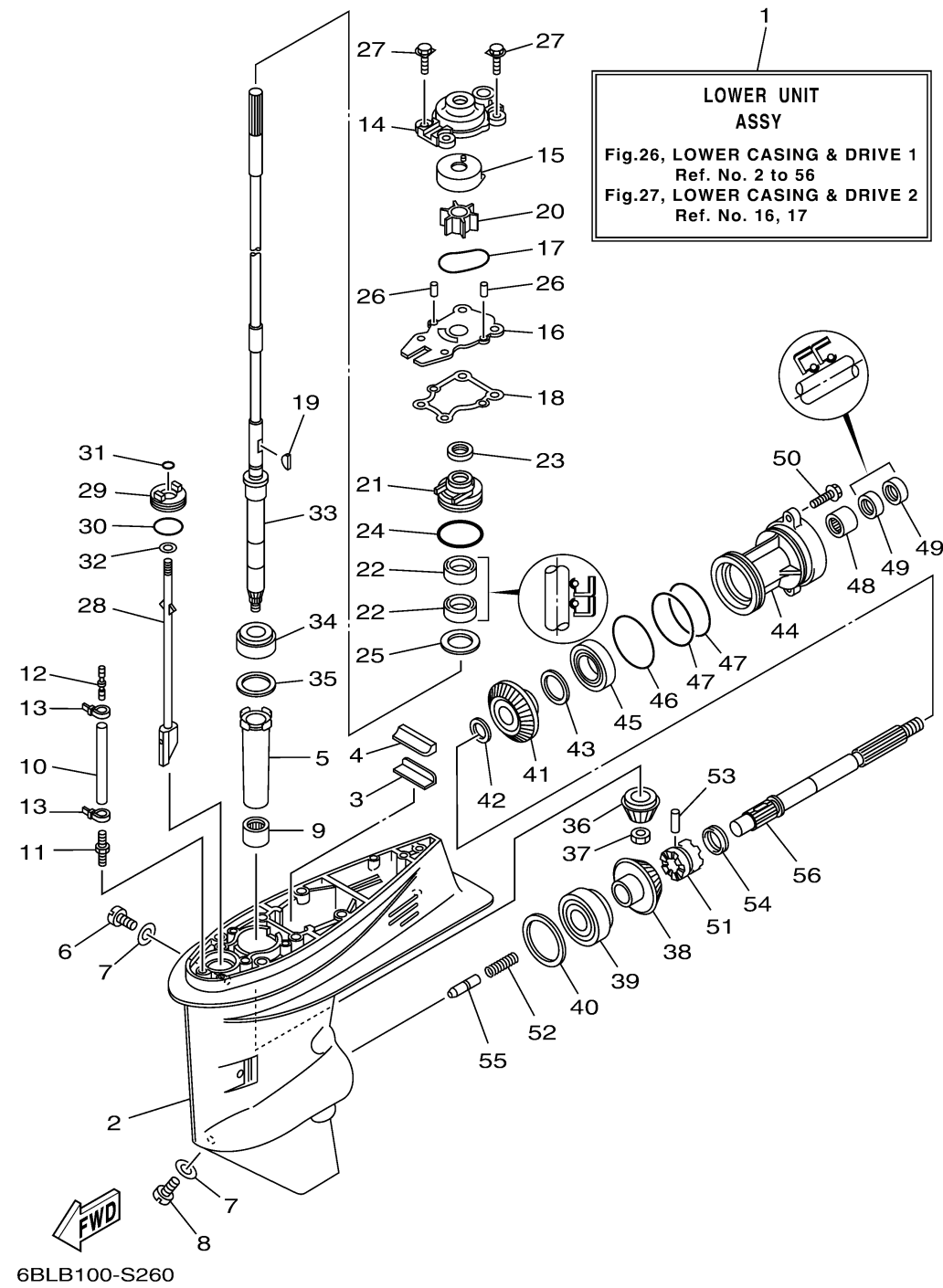
CONTINUED ON NEXT FRAME >

# LOWER CASING DRIVE 1



Ref No.	Part Number	Description	Qty	Remarks
21	6BG-44341-00-00	HOUSING, WATER PUMP	1	
22	93101-22M60-00	OIL SEAL	2	
23	66T-45344-01-00	COVER, OIL SEAL	1	
24	93210-48001-00	O-RING	1	
25	90201-27M00-00	WASHER, PLATE	1	
26	93604-08062-00	PIN, DOWEL	2	
27	90119-08M15-00	BOLT, WITH WASHER	4	
28	67C-44150-10-00	SHIFT CAM ASSY	1	L(21.1")
29	68U-45321-00-00	PLATE	1	
30	93210-33MG4-00	O-RING	1	
31	93210-06ME6-00	O-RING	1	
32	92990-06600-00	WASHER, PLATE	1	
33	6BL-45501-10-00	DRIVE SHAFT COMP.	1	L(21.1")
34	93332-00001-00	BEARING	1	
35	663-45587-01-00	SHIM (T:0.10MM)	1	UR
35	663-45587-10-00	SHIM (T:0.12MM)	1	UR
35	663-45587-20-00	SHIM (T:0.15MM)	1	UR
35	663-45587-30-00	SHIM (T:0.18MM)	1	UR
35	663-45587-40-00	SHIM (T:0.30MM)	1	UR
35	663-45587-50-00	SHIM (T:0.40MM)	1	UR

CONTINUED ON NEXT FRAME >

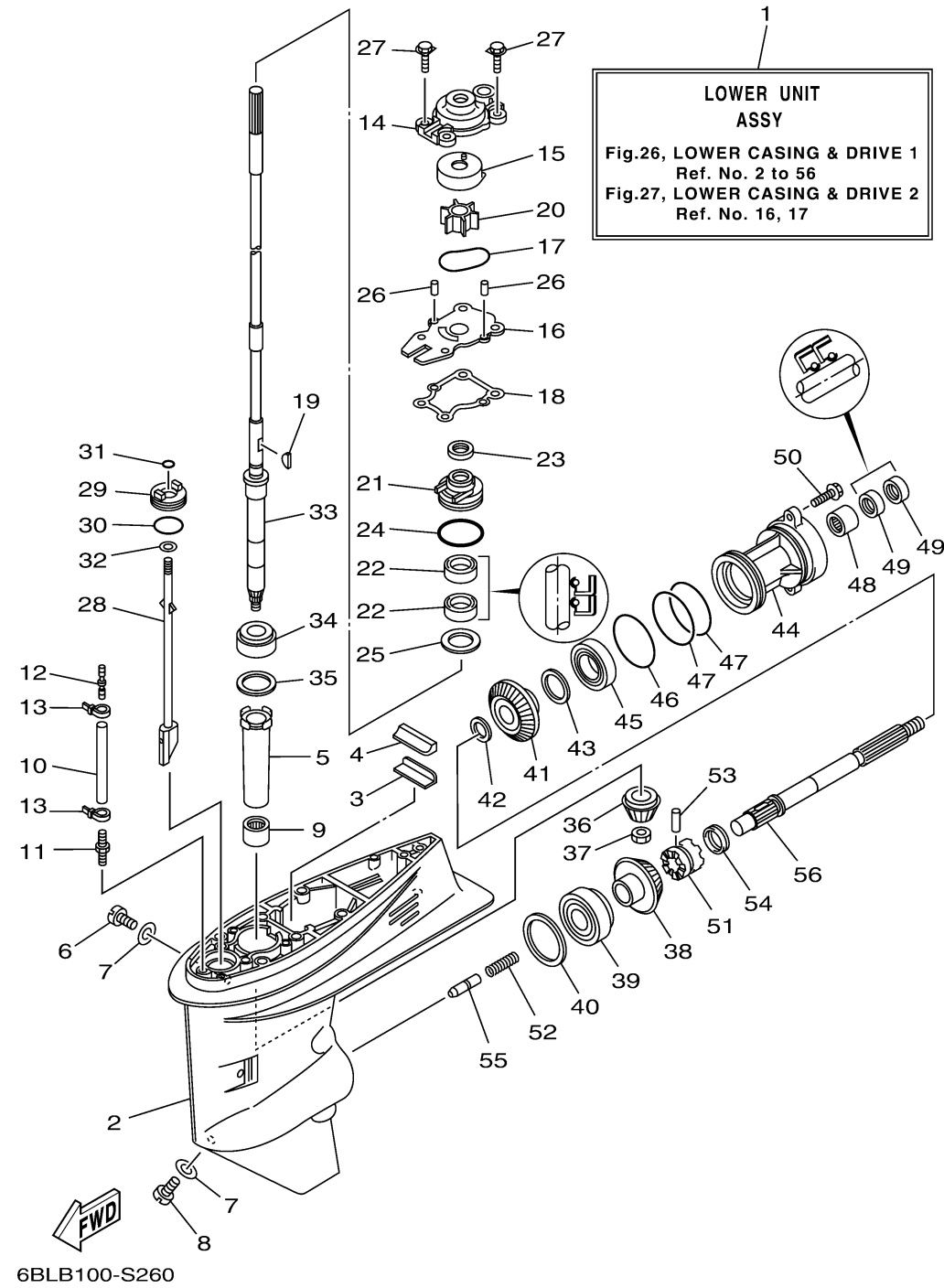


# LOWER CASING DRIVE 1

Ref No.	Part Number	Description	Qty	Remarks
35	663-45587-60-00	SHIM (T:0.50MM)	1	UR
36	68U-45551-00-00	PINION (12T)	1	
37	90179-10M38-00	NUT	1	
38	68U-45560-00-00	GEAR 1 (29T)	1	
39	93332-00003-00	BEARING	1	
40	663-45567-01-00	SHIM (T:0.10MM)	1	UR
40	663-45567-10-00	SHIM (T:0.12MM)	1	UR
40	663-45567-20-00	SHIM (T:0.15MM)	1	UR
40	663-45567-30-00	SHIM (T:0.18MM)	1	UR
40	663-45567-40-00	SHIM (T:0.30MM)	1	UR
40	663-45567-50-00	SHIM (T:0.40MM)	1	UR
40	663-45567-60-00	SHIM (T:0.50MM)	1	UR
41	68U-45571-00-00	GEAR 2 (29T)	1	
42	90201-22429-00	WASHER, PLATE	1	
43	63D-45577-00-00	SHIM (T:0.10MM)	1	UR
43	63D-45577-10-00	SHIM (T:0.12MM)	1	UR
43	63D-45577-20-00	SHIM (T:0.15MM)	1	UR
43	63D-45577-30-00	SHIM (T:0.18MM)	1	UR
43	63D-45577-40-00	SHIM (T:0.30MM)	1	UR
43	63D-45577-50-00	SHIM (T:0.40MM)	1	UR

CONTINUED ON NEXT FRAME >

# LOWER CASING DRIVE 1



Ref No.	Part Number	Description	Qty	Remarks
43	63D-45577-60-00	SHIM (T:0.50MM)	1	UR
44	63D-45361-02-8D	CAP, LOWER CASING	1	
45	93306-001U1-00	BEARING	1	
46	93210-69MG6-00	O-RING	1	
47	93210-74MG5-00	O-RING	2	
48	93317-22204-00	BEARING	1	
49	93101-22M00-00	OIL SEAL	2	
50	90105-08M61-00	BOLT, FLANGE	2	
51	68U-45631-00-00	CLUTCH, DOG	1	
52	90501-15M01-00	SPRING, COMPRESSION	1	
53	90250-06023-00	PIN, STRAIGHT	1	
54	67C-45633-00-00	RING, CROSS PIN	1	
55	66T-45635-00-00	PLUNGER, SHIFT	1	
56	66T-45611-00-00	SHAFT, PROPELLER	1	