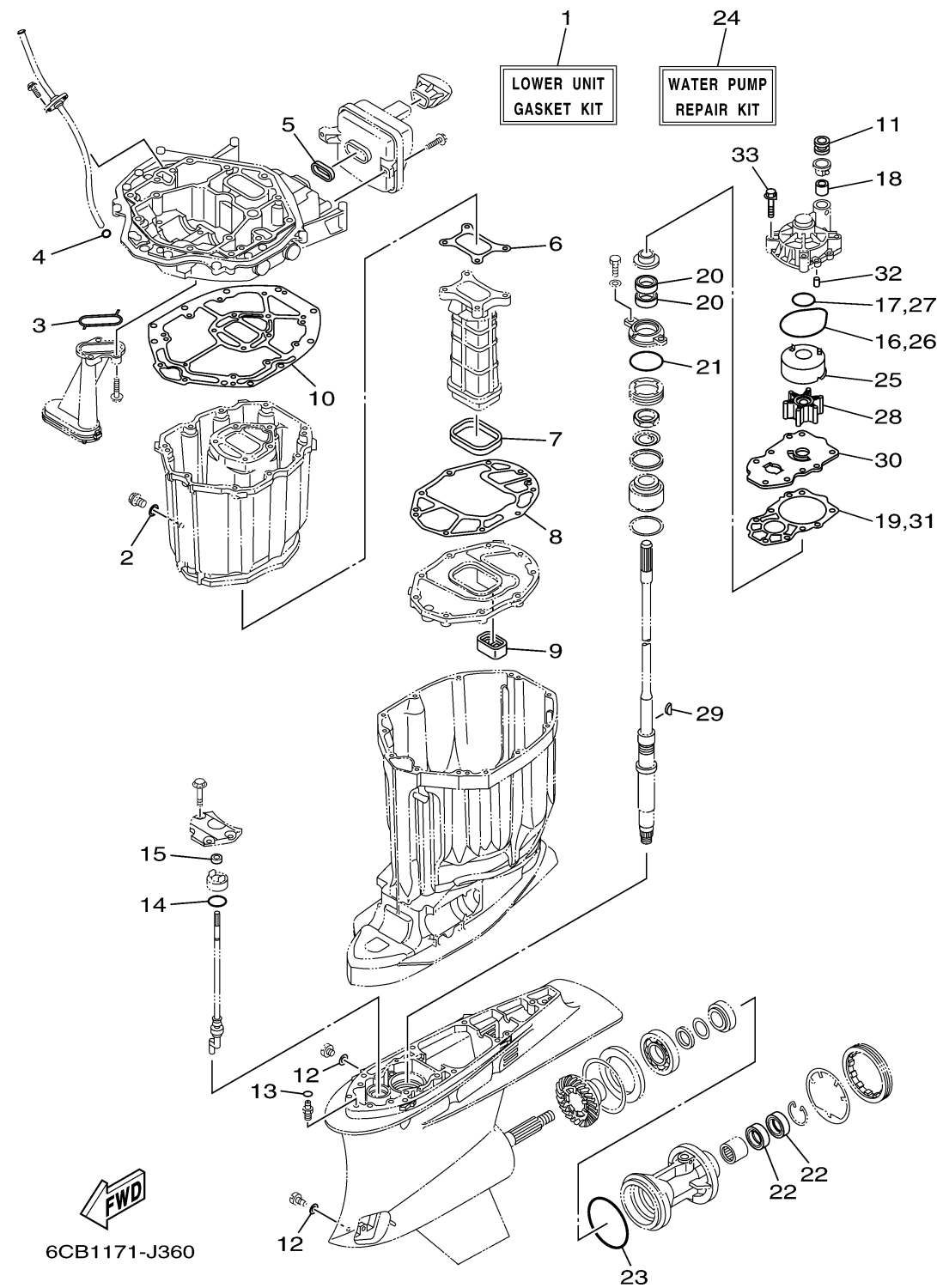
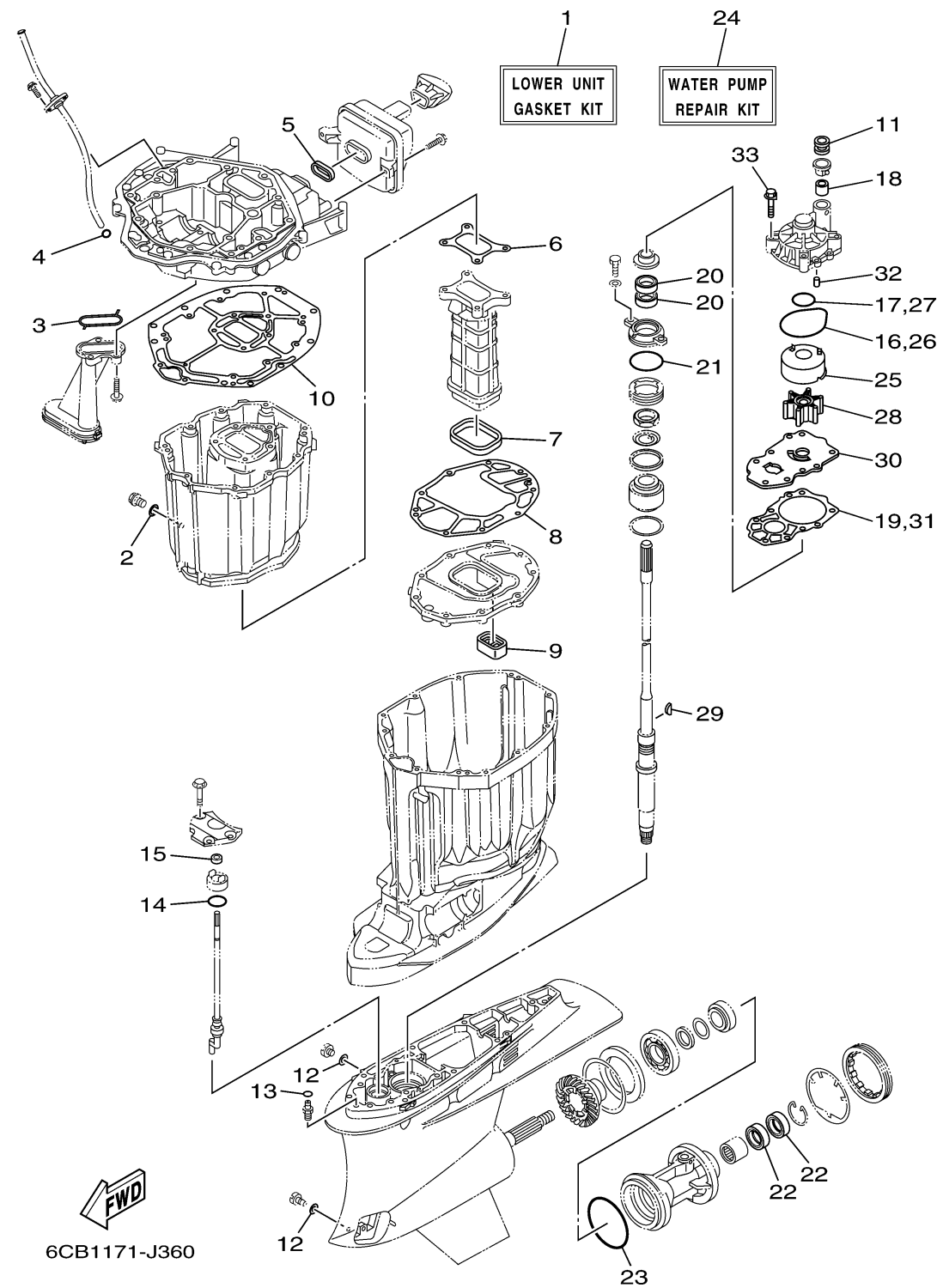


REPAIR KIT 2



Ref No.	Part Number	Description	Qty	Remarks
1	6CB-W0001-21-00	LOWER UNIT GASKET KIT	1	
2	90430-14M09-00	..GASKET	1	
3	6AW-13415-00-00	..SEAL, OIL STRAINER	1	
4	93210-19MJ3-00	..O-RING	1	
5	6CB-14755-00-00	..GASKET, SILENCER	1	
6	6CB-41134-00-00	..GASKET, EXHAUST MANIFOLD	1	
7	6CB-41138-00-00	..SEAL, EXT. 1	1	
8	6CB-41135-00-00	..GASKET, EXHAUST MANIFOLD	1	
9	6CB-45127-00-00	..SEAL	1	
10	6CB-45113-01-00	..GASKET, UPPER CASING	1	
11	6E5-44366-00-00	..DAMPER, WATER SEAL 2	1	
12	90430-08003-00	..GASKET	2	
13	93210-07003-00	..O-RING	1	
14	93210-33M49-00	..O-RING	1	
15	93106-09014-00	..OIL SEAL	1	
16	93210-86M38-00	..O-RING	1	
17	93210-37160-00	..O-RING	1	
18	6E5-44365-00-00	..DAMPER, WATER SEAL 1	1	
19	6CB-44315-00-00	..GASKET, WATER PUMP	1	
20	93101-28M16-00	..OIL SEAL	2	

CONTINUED ON NEXT FRAME >



REPAIR KIT 2

Ref No.	Part Number	Description	Qty	Remarks
21	93210-58144-00	..O-RING	1	
22	93101-30M17-00	..OIL SEAL	2	
23	93211-02001-00	..O-RING	1	
24	6CB-W0078-00-00	WATER PUMP REPAIR KIT	1	
25	61A-44322-02-00	..INSERT, CARTRIDGE	1	
26	93210-86M38-00	..O-RING	1	
27	93210-37160-00	..O-RING	1	
28	6E5-44352-01-00	..IMPELLER	1	
29	90280-04002-00	..KEY, WOODRUFF	1	
30	6CB-44323-00-00	..OUTER PLATE, CARTRIDGE	1	
31	6CB-44315-00-00	..GASKET, WATER PUMP	1	
32	93606-12019-00	..PIN, DOWEL	2	
33	90119-08M14-00	..BOLT, WITH WASHER	4	