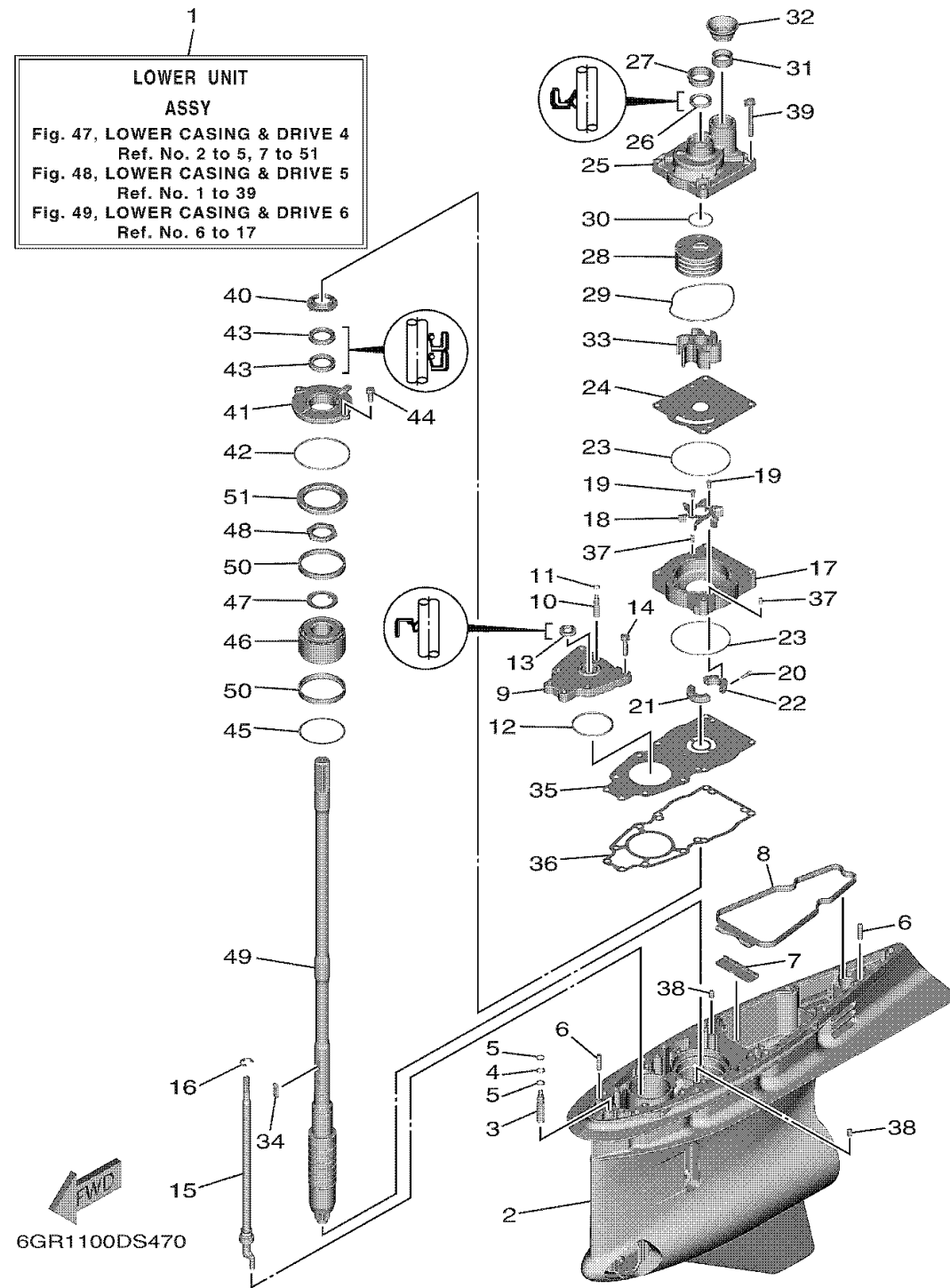


COUNTER ROTATION

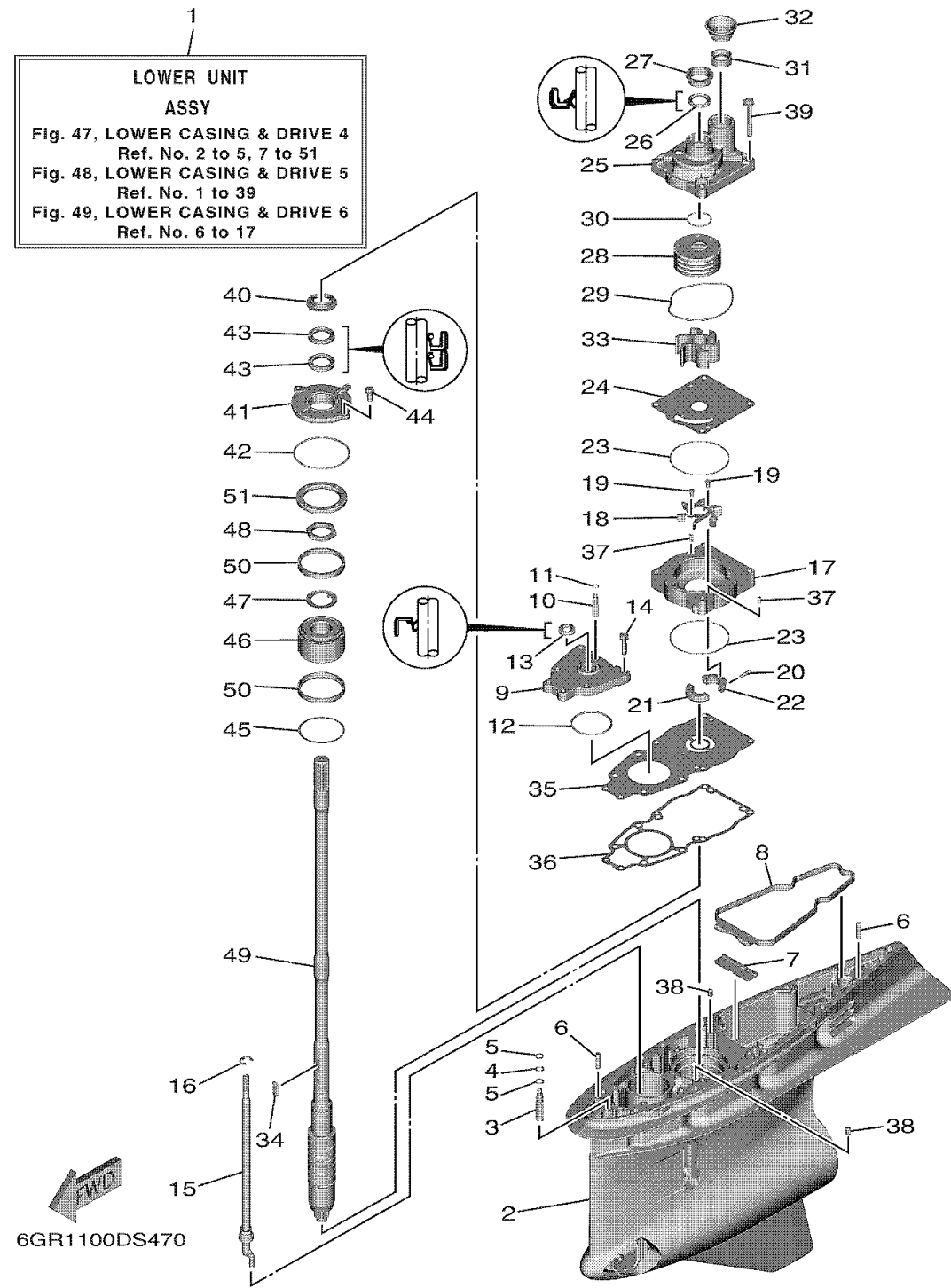


LOWER CASING DRIVE 4

Ref No.	Part Number	Description	Qty	Remarks
1	6GS-45300-02-8D	LOWER UNIT ASSY	1	GRAY, X(25.2")
1	6GS-45300-02-CE	LOWER UNIT ASSY	0	WHITE, X(25.2")
1	6GS-45300-12-8D	LOWER UNIT ASSY	1	GRAY, U(30.2")
1	6GS-45300-12-CE	LOWER UNIT ASSY	0	WHITE, U(30.2")
1	6GS-45300-22-8D	LOWER UNIT ASSY	1	GRAY, E(35.2")
1	6GS-45300-22-CE	LOWER UNIT ASSY	0	WHITE, E(35.2")
2	6GR-45311-00-8D	CASING, LOWER	1	GRAY
2	6GR-45311-00-CE	CASING, LOWER	0	WHITE
3	6GR-45308-00-00	VALVE ASSY 1	1	
4	93210-10010-00	.O-RING	1	
5	6GR-43873-00-00	RING, BACK UP	2	
6	99480-08030-00	PIN	2	
7	6GR-45376-00-00	GUIDE, SEAL DAMPER	1	
8	6GR-45375-00-00	DAMPER, SEAL	1	
9	6GR-45321-00-00	PLATE	1	
10	6GR-45309-00-00	VALVE ASSY 2	1	
11	93210-07100-00	.O-RING	1	
12	93210-64488-00	.O-RING	1	
13	93106-14001-00	.OIL SEAL	1	
14	97E95-08535-00	BOLT, HEXAGON W/W DEEP RECESS	6	

CONTINUED ON NEXT FRAME >

COUNTER ROTATION

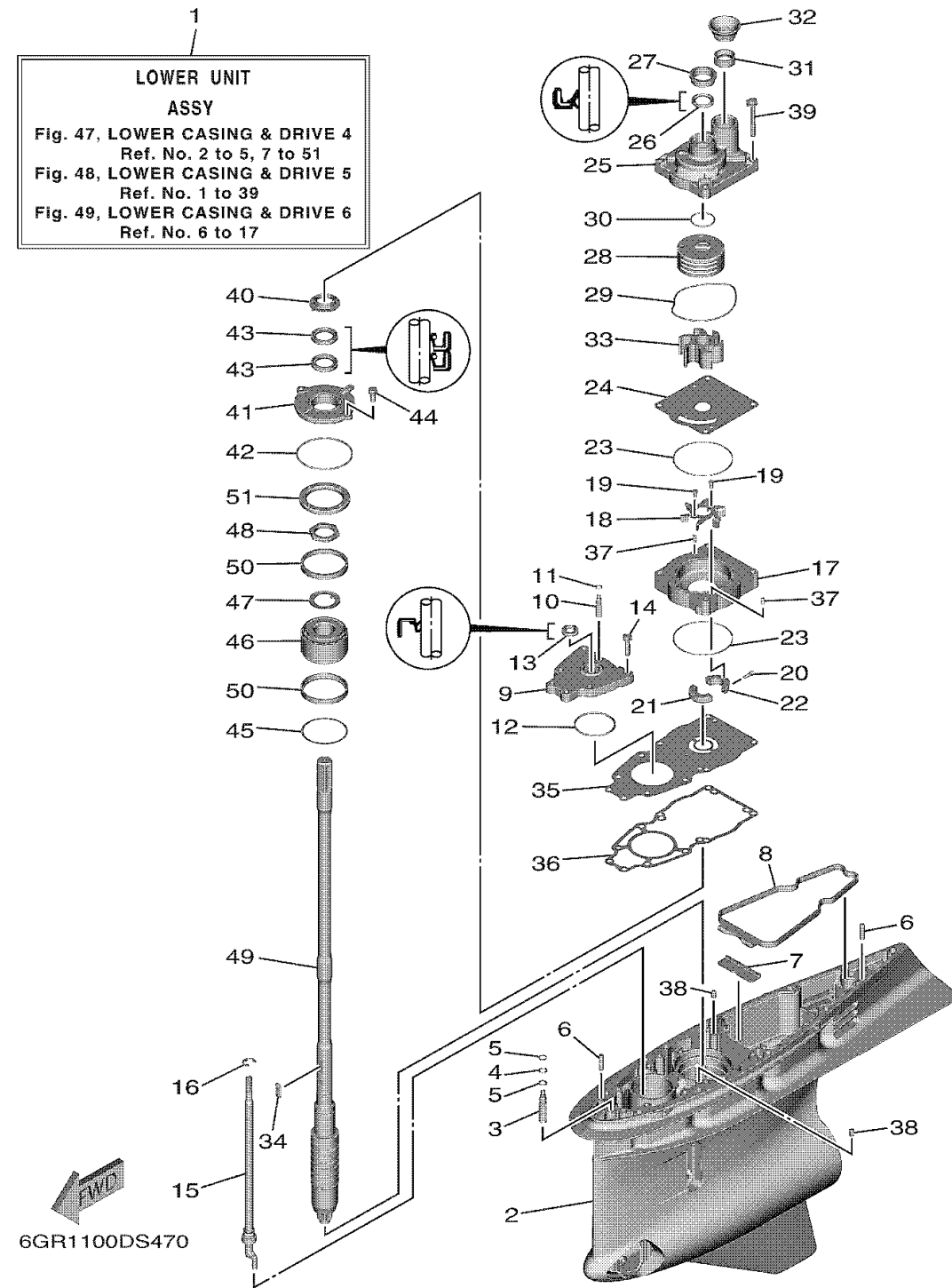


LOWER CASING DRIVE 4

Ref No.	Part Number	Description	Qty	Remarks
15	6GS-44150-01-00	SHIFT CAM ASSY	1	UR X(25.2")
15	6GS-44150-11-00	SHIFT CAM ASSY	1	UR U(30.2")
15	6GS-44150-21-00	SHIFT CAM ASSY	1	UR E(35.2")
16	99002-12600-00	CIRCLIP	1	
17	6GR-44341-00-00	HOUSING, WATER PUMP	1	
18	6GR-12451-00-00	IMPELLER, WATER PUMP	1	
19	97095-05010-00	BOLT	2	
20	91380-05016-00	BOLT	2	
21	6GR-44381-00-00	SPACER 1	1	
22	6GR-44382-00-00	SPACER 2	1	
23	93210-97690-00	.O-RING	2	
24	6GR-44323-00-00	.OUTER PLATE, CARTRIDGE	1	
25	6GR-44311-00-00	HOUSING, WATER PUMP	1	
26	93109-26001-00	.OIL SEAL	1	
27	6GR-44312-00-00	COVER, WATER PUMP HOUSING	1	
28	6GR-44322-00-00	.INSERT, CARTRIDGE	1	
29	93211-08001-00	.O-RING	1	
30	93210-37160-00	.O-RING	1	
31	6GR-44365-00-00	.DAMPER, WATER SEAL 1	1	
32	6GR-44379-00-00	GUIDE, WATER TUBE	1	

CONTINUED ON NEXT FRAME >

COUNTER ROTATION

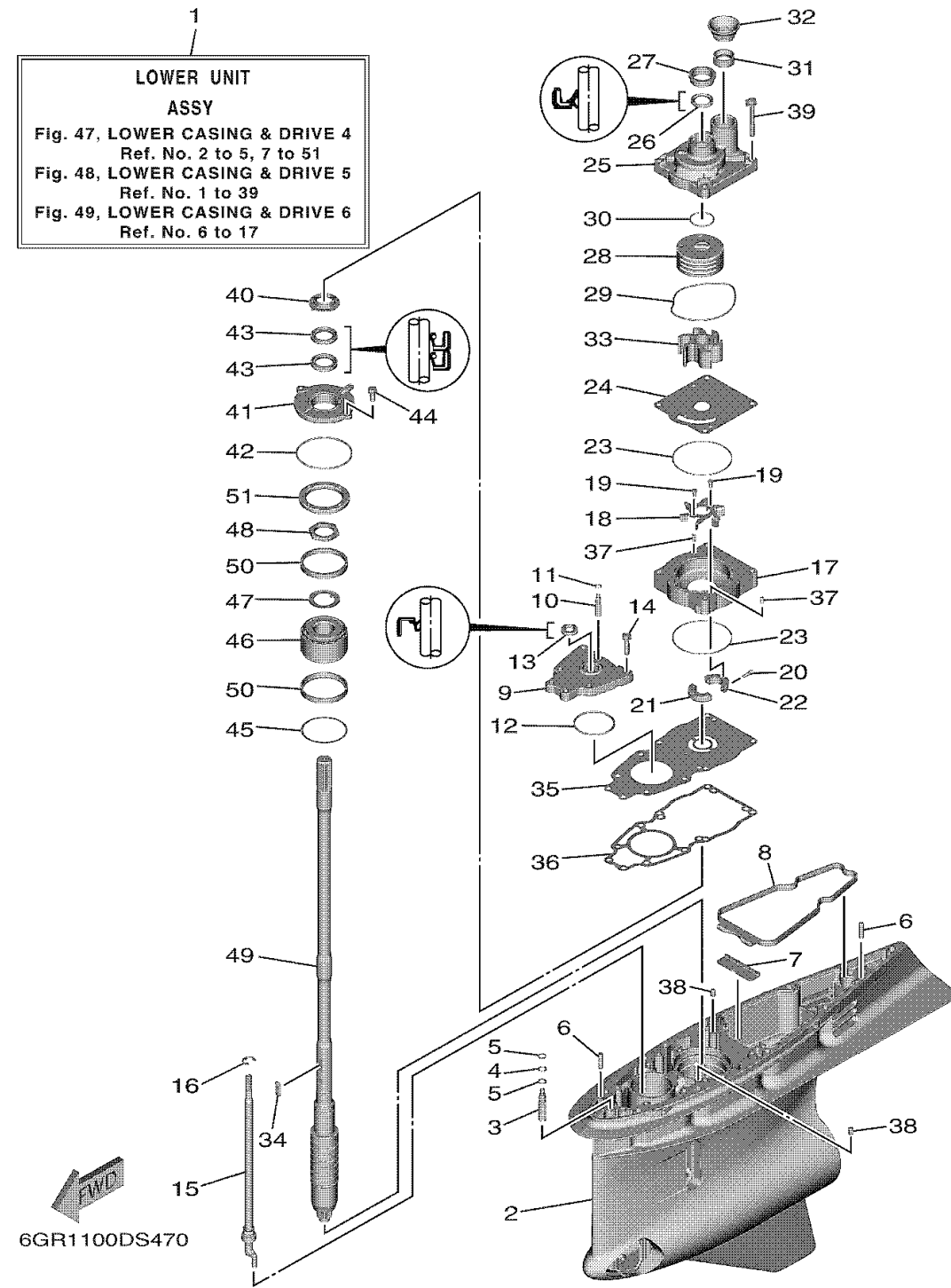


LOWER CASING DRIVE 4

Ref No.	Part Number	Description	Qty	Remarks
33	6GR-44352-00-00	.IMPELLER	1	
34	6AW-44336-00-00	.KEY	1	
35	6GR-44328-00-00	PLATE	1	
36	6GR-44315-00-00	.GASKET, WATER PUMP	1	
37	93606-12019-00	PIN, DOWEL	2	
38	93608-12M05-00	PIN, DOWEL	2	
39	90119-08M16-00	.BOLT, WITH WASHER	4	
40	6GR-45344-00-00	COVER, OIL SEAL	1	
41	6GR-45335-00-00	HOUSING, OIL SEAL	1	
42	93210-89535-00	.O-RING	1	
43	93101-30018-00	.OIL SEAL	2	
44	97E95-08520-00	BOLT, HEXAGON W/W DEEP RECESS	2	
45	688-45567-01-00	SHIM (T:0.10MM)	1	UR
45	688-45567-10-00	SHIM (T:0.12MM)	1	UR
45	688-45567-20-00	SHIM (T:0.15MM)	1	UR
45	688-45567-30-00	SHIM (T:0.18MM)	1	UR
45	688-45567-40-00	SHIM (T:0.30MM)	1	UR
45	688-45567-50-00	SHIM (T:0.40MM)	1	UR
45	688-45567-60-00	SHIM (T:0.50MM)	1	UR
46	93399-99967-00	BEARING	1	

CONTINUED ON NEXT FRAME >

COUNTER ROTATION



LOWER CASING DRIVE 4

Ref No.	Part Number	Description	Qty	Remarks
47	90214-35M07-00	WASHER, CLAW	1	
48	90170-35M34-00	NUT	1	
49	6GR-45501-00-00	DRIVE SHAFT COMP.	1	UR X(25.2")
49	6GR-45501-10-00	DRIVE SHAFT COMP.	1	UR U(30.2")
49	6GR-45501-20-00	DRIVE SHAFT COMP.	1	UR E(35.2")
50	6GR-45539-00-00	SPACER 2	2	
51	6GR-45244-00-00	NUT	1	