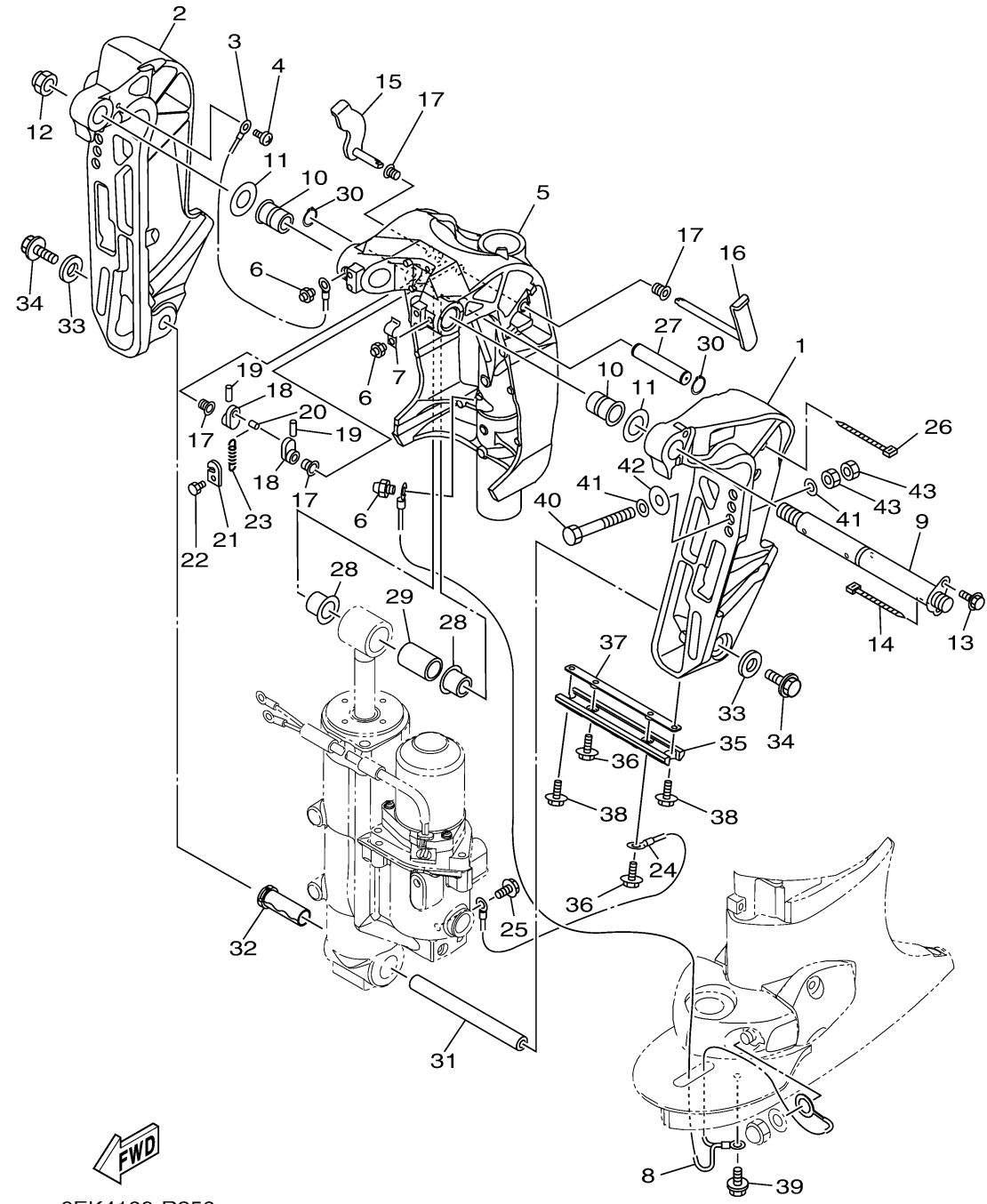


6EK4100-R250

BRACKET 1

Ref No.	Part Number	Description	Qty	Remarks
1	6EK-43111-00-8D	BRACKET, CLAMP 1	1	
2	6EK-43112-00-8D	BRACKET, CLAMP 2	1	
3	6E5-82148-00-00	WIRE, LEAD 4	1	
4	97880-06012-00	SCREW, PAN HEAD	1	
5	6EK-43311-00-8D	BRACKET, SWIVEL 1	1	L(20.3")
5	6EK-43311-10-8D	BRACKET, SWIVEL 1	0	X(25.3")
6	93700-06002-00	NIPPLE, GREASE	3	
7	90465-08M63-00	CLAMP	1	
8	66K-82149-00-00	WIRE, LEAD 3	1	L(20.3")
8	68V-82149-30-00	WIRE, LEAD 3	0	X(25.3")
9	64E-43131-30-00	BOLT, CLAMP BRACKET	1	
10	90386-25M31-00	BUSH	2	
11	90201-26M59-00	WASHER, PLATE	2	
12	90185-22M11-00	NUT, SELF-LOCKING	1	
13	97E95-08520-00	BOLT, HEXAGON W/W DEEP RECESS	1	
14	90465-11M10-00	.CLAMP	1	
15	6EK-43181-00-00	LEVER, TILT STOP 1	1	
16	6EK-43185-00-00	LEVER, TILT STOP 2	1	
17	90386-10M16-00	BUSH	4	
18	6G5-43148-00-00	COLLAR, DISTANCE	2	

CONTINUED ON NEXT FRAME >

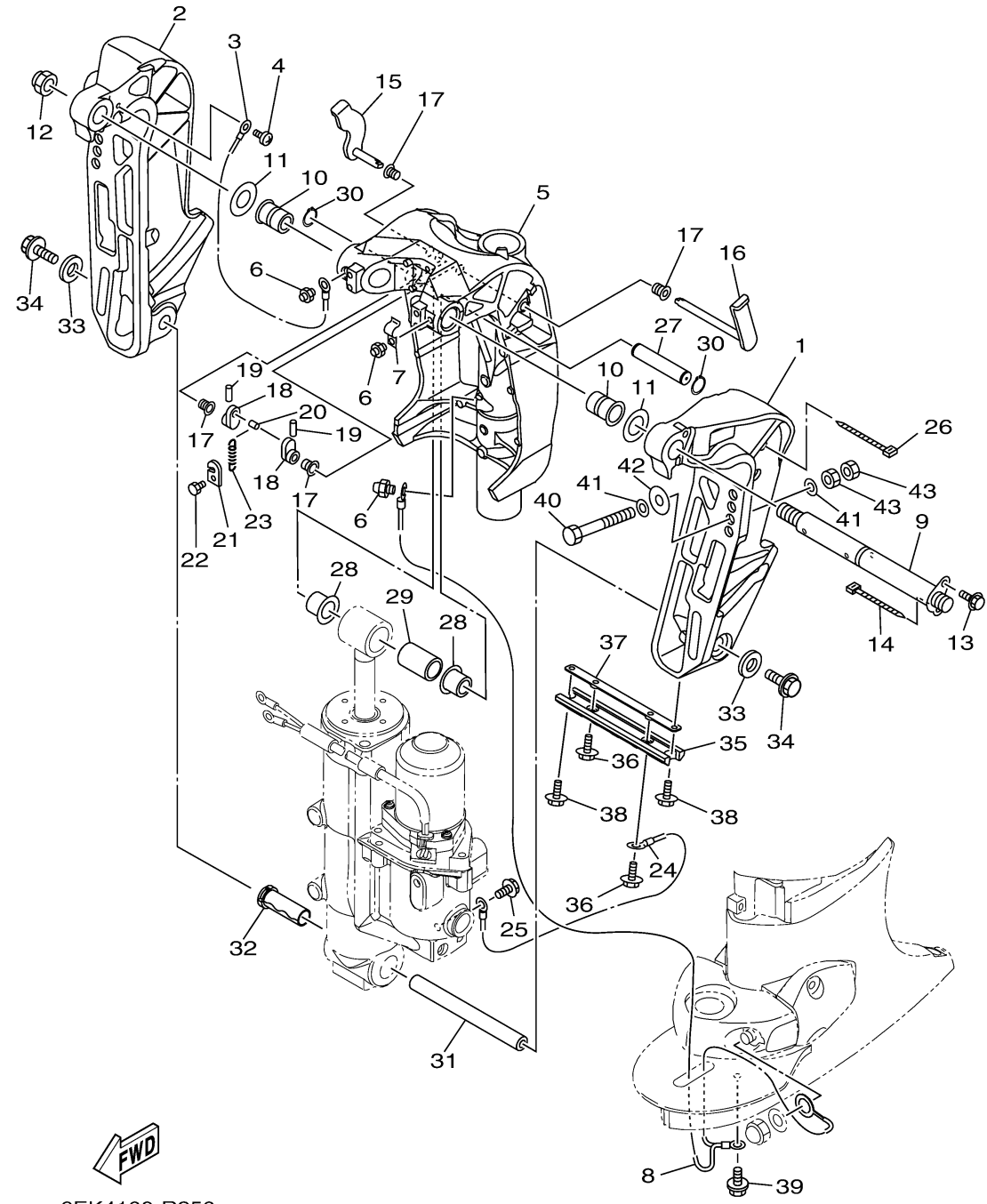


6EK4100-R250

BRACKET 1

Ref No.	Part Number	Description	Qty	Remarks
19	91690-30020-00	PIN, SPRING	2	
20	90249-06M19-00	PIN	1	
21	66T-43144-00-00	HOOK, SPRING	1	
22	97D95-06010-00	BOLT, HEXAGON DEEP RECESS	1	
23	90506-14M24-00	SPRING, TENSION	1	
24	6D8-82148-00-00	WIRE, LEAD 4	1	
25	97E95-06510-00	BOLT, HEXAGON W/W DEEP RECESS	1	
26	90465-13M18-00	CLAMP	1	
27	6EK-43126-00-00	PIN, UPPER SHOCK MOUNT	1	
28	90386-18M35-00	BUSH	2	
29	90386-18001-00	BUSH	1	
30	93410-18M05-00	CIRCLIP	2	
31	6EK-43818-00-00	PIN, LOWER SHOCK MOUNT	1	
32	90383-20001-00	BUSH, FORMED	1	
33	90201-10060-00	WASHER, PLATE	2	
34	90119-10054-00	BOLT, WITH WASHER	2	
35	6H1-45251-03-00	ANODE	1	
36	90119-06M81-00	BOLT, WITH WASHER	2	
37	6EK-44536-00-00	PLATE 2	1	
38	97E95-06616-00	BOLT, HEXAGON W/W DEEP RECESS	2	

CONTINUED ON NEXT FRAME >



6EK4100-R250

BRACKET 1

Ref No.	Part Number	Description	Qty	Remarks
39	95D95-06010-00	BOLT, FLANGE DEEP RECESS	1	
40	90101-12066-00	BOLT (L:150MM)	2	UR
40	90101-12065-00	BOLT (L:130MM)	4	UR L(20.3")
40	90101-12065-00	BOLT (L:130MM)	0	UR X(25.3")
41	90201-13M01-00	WASHER, PLATE	8	
42	90201-12426-00	WASHER, PLATE	4	
43	95380-12600-00	NUT	8	