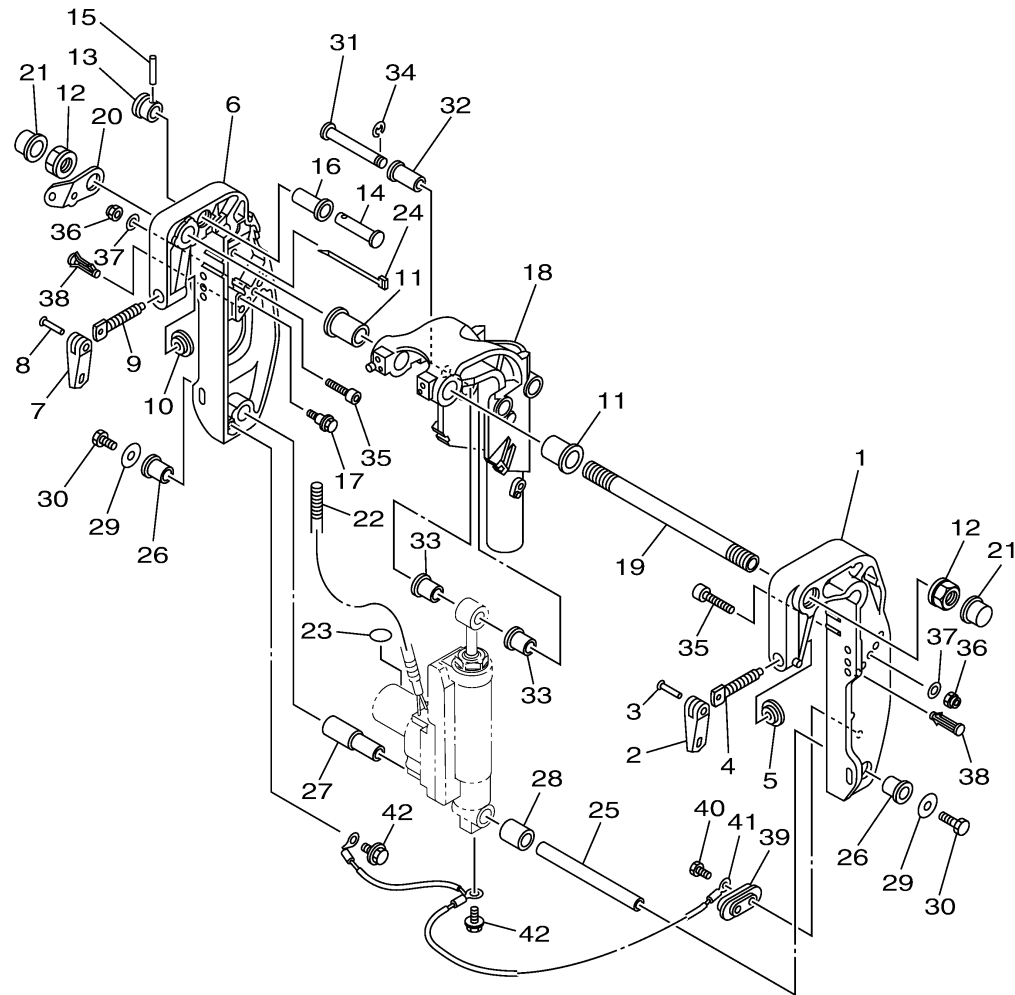


BRACKET 2



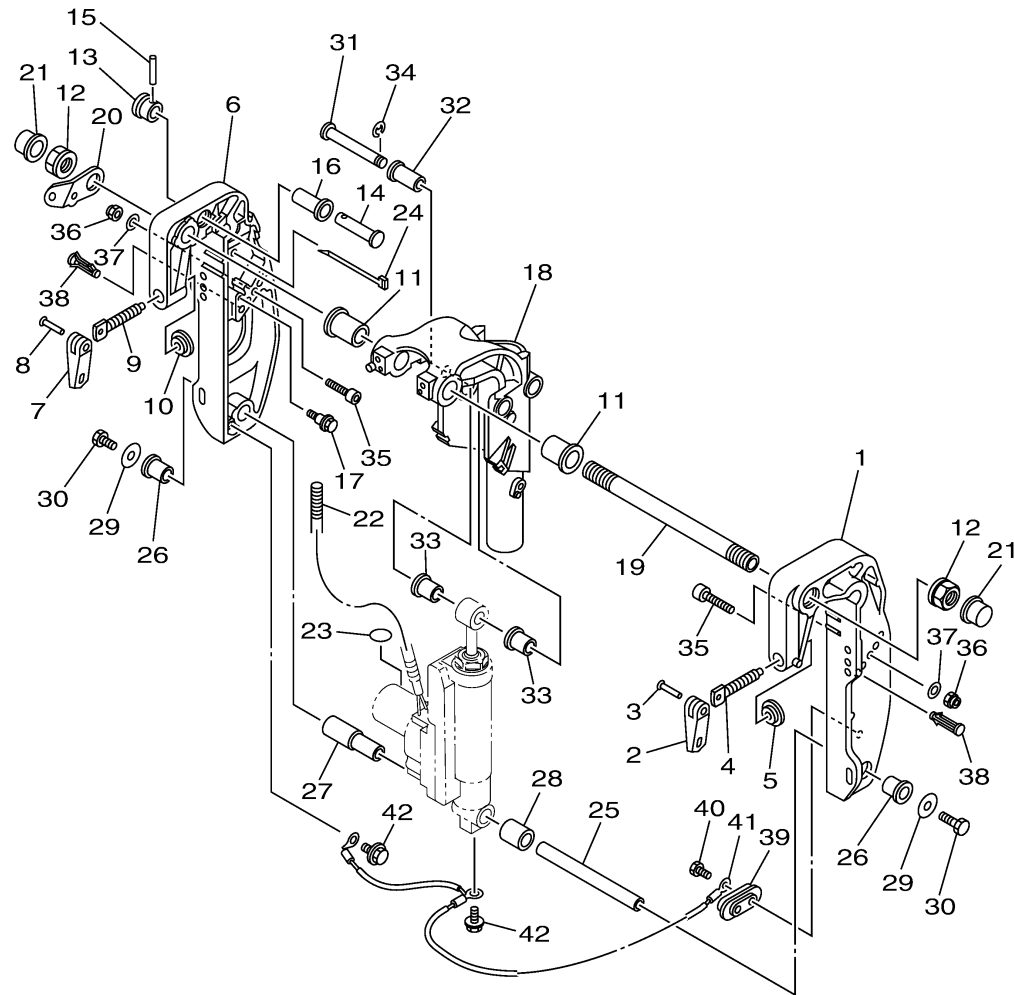
Ref No.	Part Number	Description	Qty	Remarks
1	69A-43111-01-8D	BRACKET, CLAMP 1	0	
2	6E0-43118-01-00	HANDLE, TRANSOM CLAMP	0	
3	90243-04M01-00	PIN	0	
4	6E7-43116-00-00	SCREW, TRANSOM CLAMP	0	
5	648-43114-01-00	PAD, TRANSOM CLAMP	0	
6	69A-43112-02-8D	BRACKET, CLAMP 2	0	
7	6E0-43118-01-00	HANDLE, TRANSOM CLAMP	0	
8	90243-04M01-00	PIN	0	
9	6E7-43116-00-00	SCREW, TRANSOM CLAMP	0	
10	648-43114-01-00	PAD, TRANSOM CLAMP	0	
11	90386-22MA4-00	BUSH	0	
12	90185-22043-00	NUT, SELF-LOCKING	0	
13	65W-43192-00-00	KNOB, STOPPER	0	
14	65W-43191-00-00	SHAFT, STOPPER	0	
15	91690-30018-00	PIN, SPRING	0	
16	90386-14MA1-00	BUSH	0	
17	90109-06MA1-00	BOLT	0	
18	69A-43311-11-8D	BRACKET, SWIVEL 1	0	L(22.1")
19	69A-43131-00-00	BOLT, CLAMP BRACKET	0	FOR REMOTE CONTROL
20	69A-43113-00-00	PLATE, CLAMP BRACKET	0	

CONTINUED ON NEXT FRAME >



6AGB100-Q240

BRACKET 2



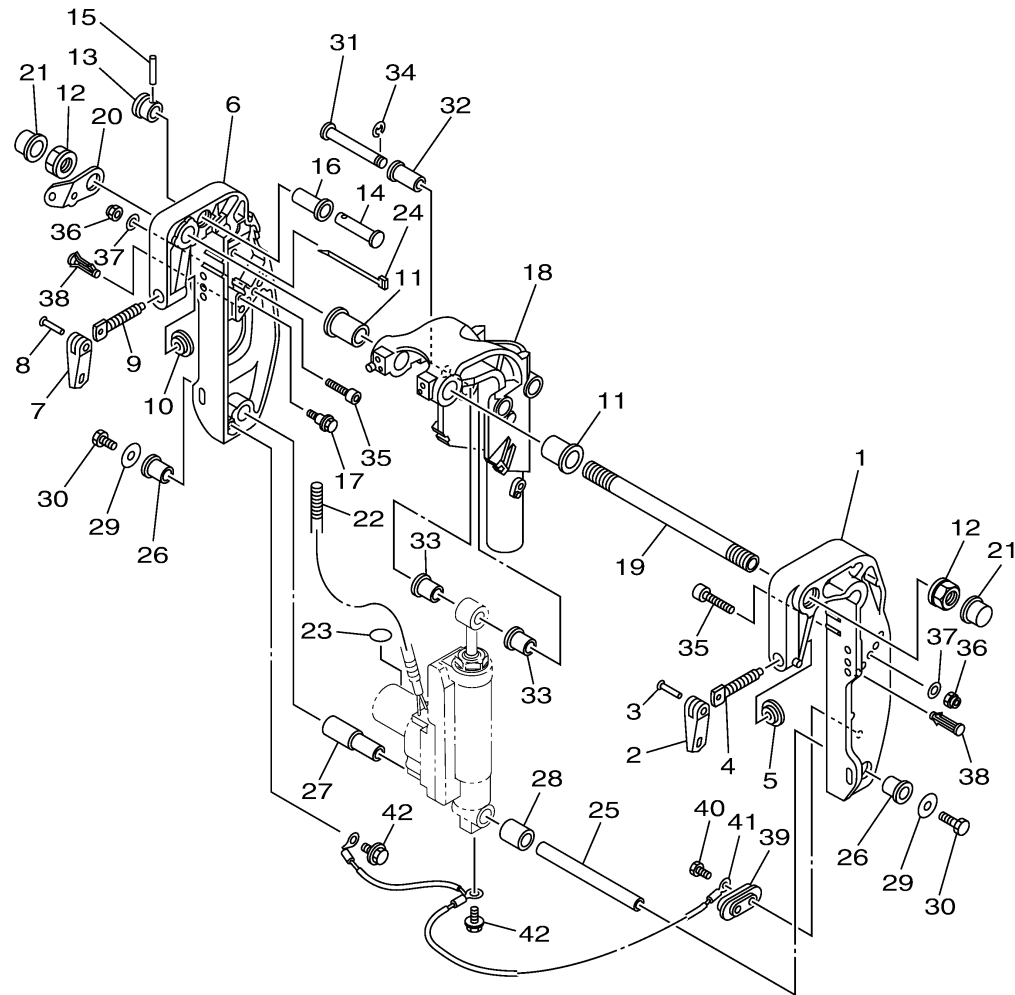
Ref No.	Part Number	Description	Qty	Remarks
21	6G5-43145-01-00	CAP, CLAMP BRACKET	0	
22	90446-14MH7-00	HOSE (L560)	0	
23	69A-43155-00-00	MARK 1	0	
24	90465-13M97-00	CLAMP	0	
25	69G-43818-00-00	PIN, LOWER SHOCK MOUNT	0	
26	90386-16MA7-00	BUSH	0	
27	90386-16MA8-00	BUSH	0	
28	90387-16M02-00	COLLAR	0	
29	90201-08M00-00	WASHER, PLATE	0	
30	97080-08016-00	BOLT	0	
31	90249-12M36-00	PIN	0	
32	90381-12M10-00	BUSH, SOLID	0	
33	90381-12M11-00	BUSH, SOLID	0	
34	99080-10600-00	CIRCLIP	0	
35	90110-08121-00	BOLT, HEXAGON SOCKET HEAD	0	
36	90185-08057-00	.NUT, SELF-LOCKING	0	
37	92990-08600-00	..WASHER, PLATE	0	
38	90338-08M19-00	PLUG	0	
39	65W-45251-00-00	ANODE	0	
40	90101-06020-00	BOLT	0	

CONTINUED ON NEXT FRAME >



BRACKET 2

Ref No.	Part Number	Description	Qty	Remarks
41	63V-82127-00-00	WIRE, LEAD 2	0	
42	97E95-06510-00	BOLT, HEXAGON W/W DEEP RECESS	0	



6AGB100-Q240