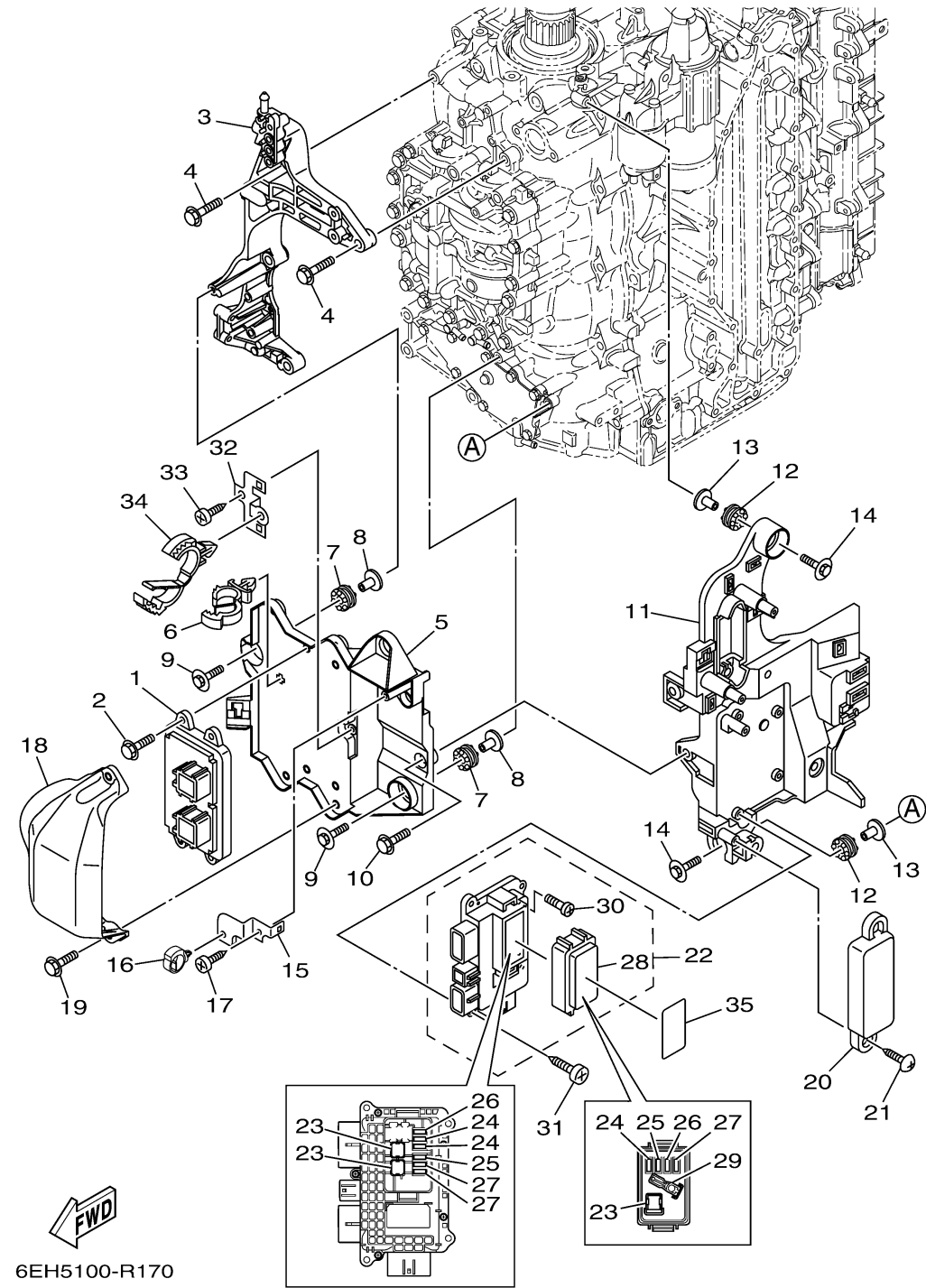


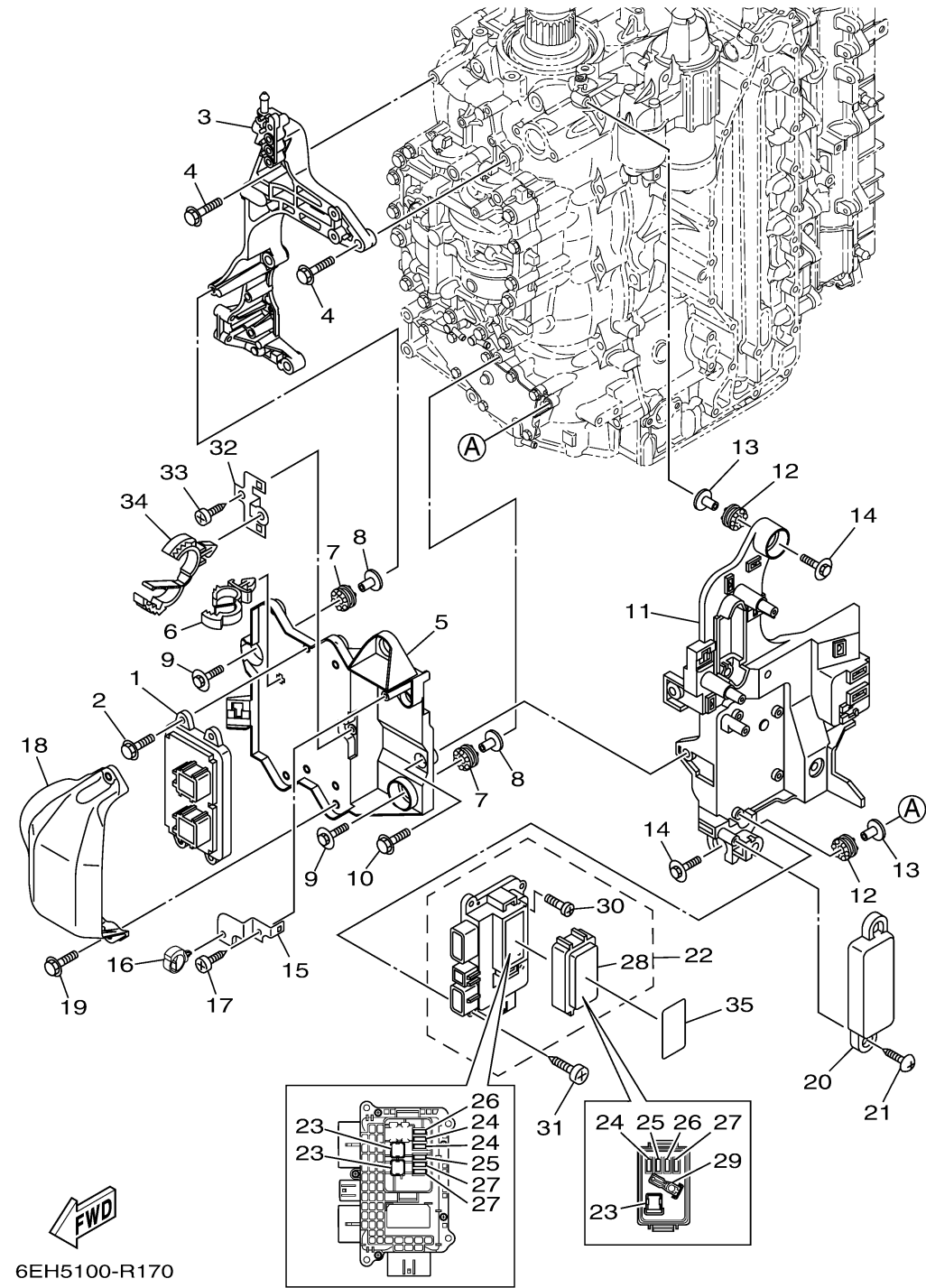
# ELECTRICAL 1



Ref No.	Part Number	Description	Qty	Remarks
1	6FA-8591A-21-00	ENGINE CONTROL UNIT ASSY	1	
2	95D95-06020-00	BOLT, FLANGE DEEP RECESS	4	
3	6DA-85991-00-00	BRACKET, UNIT	1	
4	95D75-08035-00	BOLT, FLANGE DEEP RECESS	4	
5	6DA-81948-01-00	BRACKET	1	
6	90464-12183-00	CLAMP	1	
7	68F-85516-01-00	SPACER	3	
8	90387-06176-00	COLLAR	3	
9	68F-85119-00-00	BOLT	3	
10	95D95-06016-00	BOLT, FLANGE DEEP RECESS	2	
11	6DA-81952-10-00	HOLDER, RELAY	1	
12	68F-85516-01-00	SPACER	3	
13	90387-06176-00	COLLAR	3	
14	68F-85119-00-00	BOLT	3	
15	6DA-85548-10-00	HOLDER	1	
16	90464-20181-00	CLAMP	1	
17	97780-60620-00	SCREW, TAPPING	1	
18	6DA-81639-00-00	COVER	1	
19	95D95-06020-00	BOLT, FLANGE DEEP RECESS	2	
20	6DA-8252U-00-00	COVER	1	

CONTINUED ON NEXT FRAME >

# ELECTRICAL 1



Ref No.	Part Number	Description	Qty	Remarks
21	90169-05M00-00	SCREW, TRUSS HEAD TAPPING	2	
22	6DA-82170-10-00	FUSE BOX ASSY	1	
23	6CB-82151-40-00	. . FUSE (60A)	3	
24	6CB-82151-00-00	. . FUSE (10A)	3	
25	6CB-82151-10-00	. . FUSE (15A)	2	
26	6CB-82151-20-00	. . FUSE (20A)	2	
27	6CB-82151-30-00	. . FUSE (30A)	3	
28	6CB-85544-10-00	. . COVER	1	
29	6CB-2812A-00-00	. . PULLER, FUSE	1	
30	6P2-82113-00-00	. . SCREW (M3)	5	
31	97780-50620-00	SCREW, TAPPING	4	
32	6DA-8257V-00-00	PLATE, CONNECTOR	1	
33	97780-60620-00	SCREW, TAPPING	1	
34	90464-32002-00	CLAMP	1	
35	6DA-81919-10-00	GRAPHIC, REGULATOR	1	