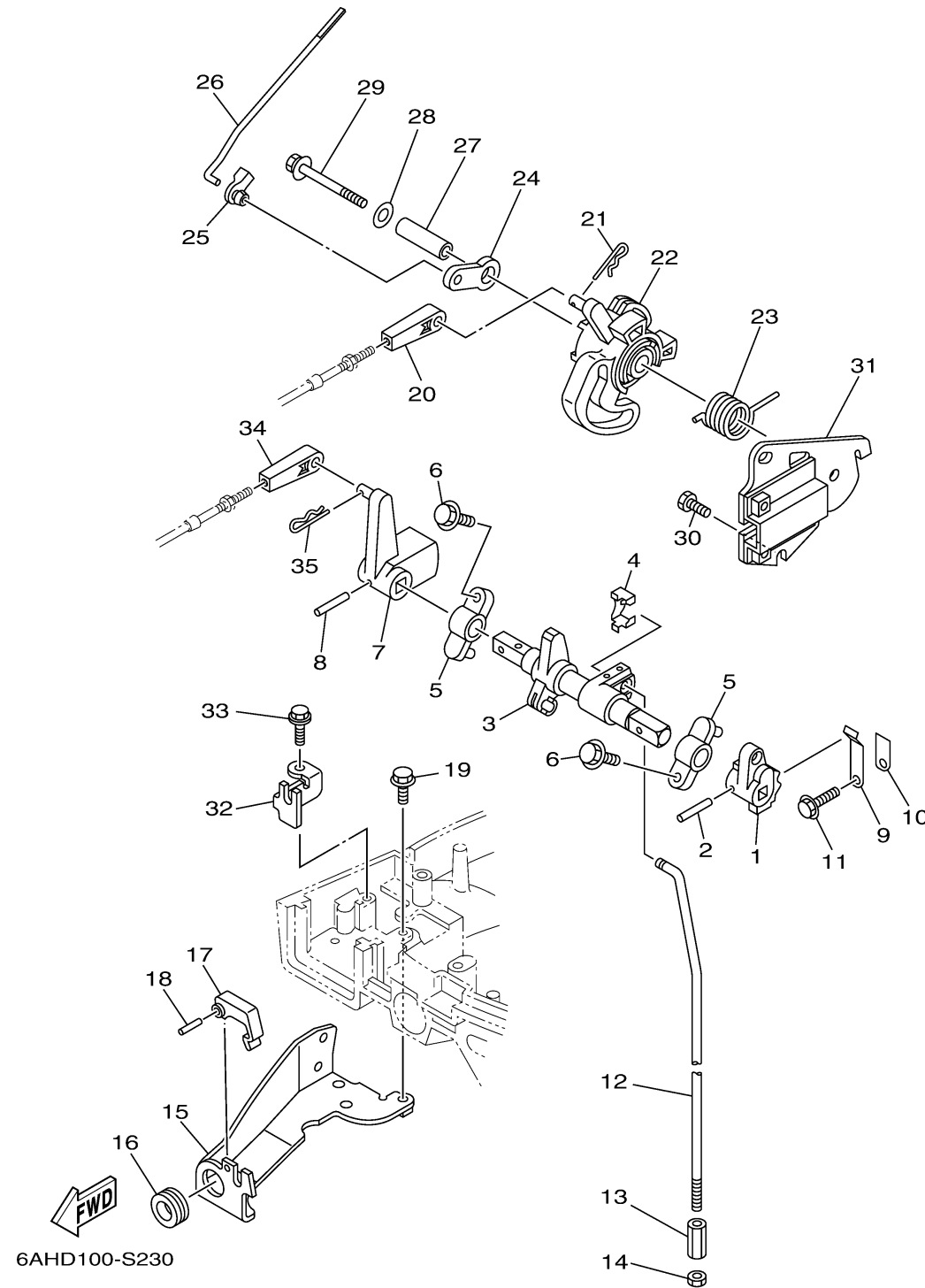


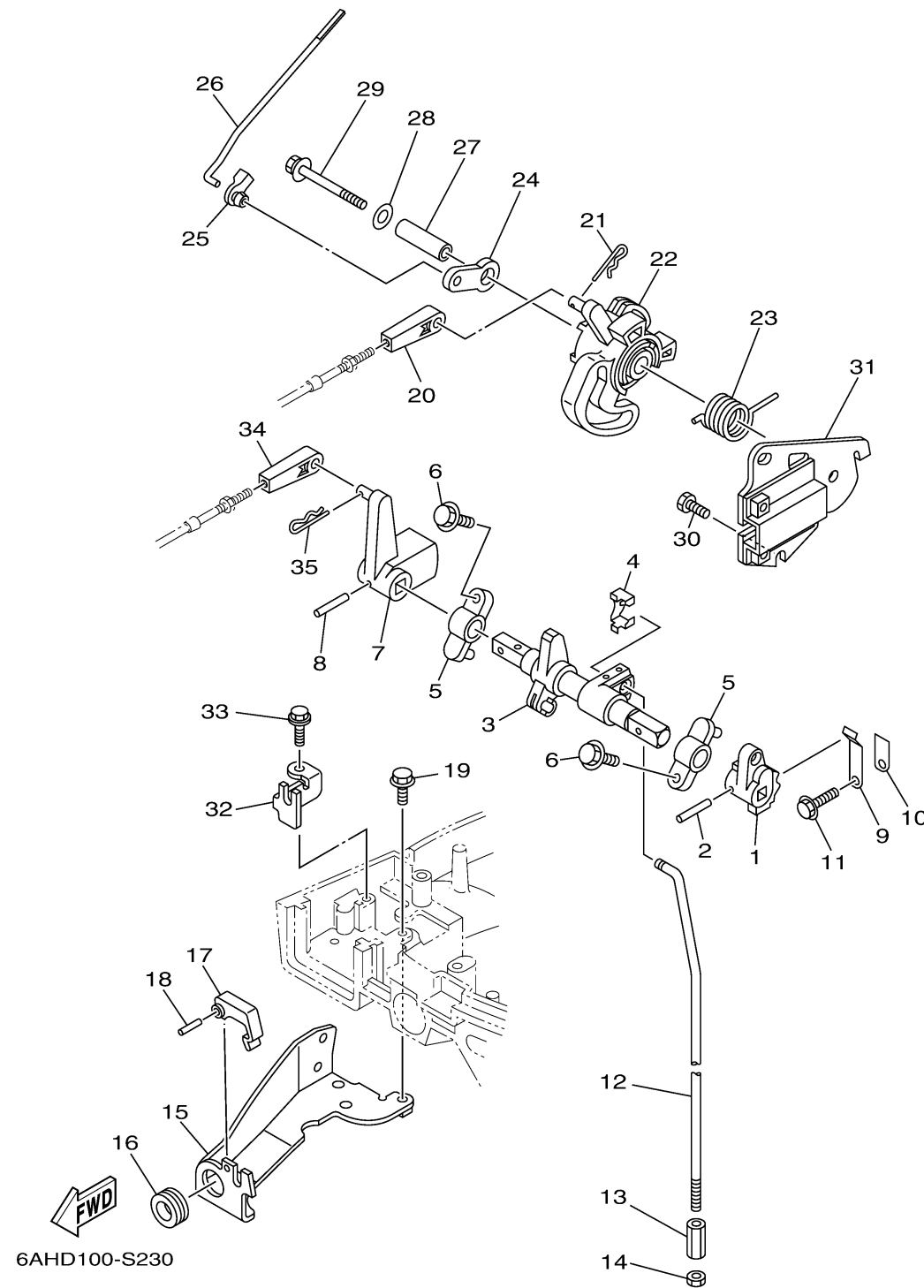
# CONTROL 2



Ref No.	Part Number	Description	Qty	Remarks
1	6AH-44123-00-00	ARM, SHIFT ROD	0	
2	90254-03M05-00	PIN, SPRING	0	
3	6AH-44121-01-00	LEVER, SHIFT ROD	0	
4	6AH-26364-00-00	END, CABLE 2	0	
5	6G1-41662-01-94	BRACKET 2	0	
6	97E95-06520-00	BOLT, HEXAGON W/W DEEP RECESS	0	
7	6AH-44125-00-00	LEVER, SHIFT ROD	0	
8	90254-03M05-00	PIN, SPRING	0	
9	65W-44116-00-00	SPRING	0	
10	66R-44114-00-00	STOPPER	0	
11	95D95-06014-00	BOLT, FLANGE DEEP RECESS	0	
12	6AH-44143-00-00	ROD, SHIFT 1	0	S(17.1")
12	6AH-44143-10-00	ROD, SHIFT 1	0	L(22.1")
13	90170-06015-00	NUT	0	
14	95380-06700-00	NUT	0	
15	6AH-48532-00-00	BRACKET, REMOTE CONTROL 2	0	
16	90480-19031-00	GROMMET	0	
17	682-48538-50-00	.CLAMP, CABLE 1	0	
18	91690-30012-00	.PIN, SPRING	0	
19	97E95-06514-00	BOLT, HEXAGON W/W DEEP RECESS	0	

CONTINUED ON NEXT FRAME >

# CONTROL 2



Ref No.	Part Number	Description	Qty	Remarks
20	6FM-48344-00-00	.CABLE END, REMOTE CONTROL	0	
21	90468-18008-00	CLIP	0	
22	6AH-41638-00-00	PULLEY	0	
23	90508-20M44-00	SPRING, TORSION	0	
24	65W-41283-00-00	LEVER, FREE ACCEL.	0	
25	6J8-41262-00-00	JOINT, CHOKE LEVER	0	
26	6AH-41211-00-00	LINK, ACCEL.	0	
27	90387-06139-00	COLLAR	0	
28	90201-06M31-00	WASHER, PLATE	0	
29	97E95-06555-00	BOLT, HEXAGON W/W DEEP RECESS	0	
30	97D95-06014-00	BOLT, HEXAGON DEEP RECESS	0	
31	6AH-14571-00-00	BRACKET, THROTTLE	0	
32	6AH-48531-00-00	BRACKET, REMOTE CONTROL 1	0	
33	90109-06M86-00	BOLT	0	
34	6FM-48344-00-00	.CABLE END, REMOTE CONTROL	0	
35	90468-18008-00	CLIP	0	