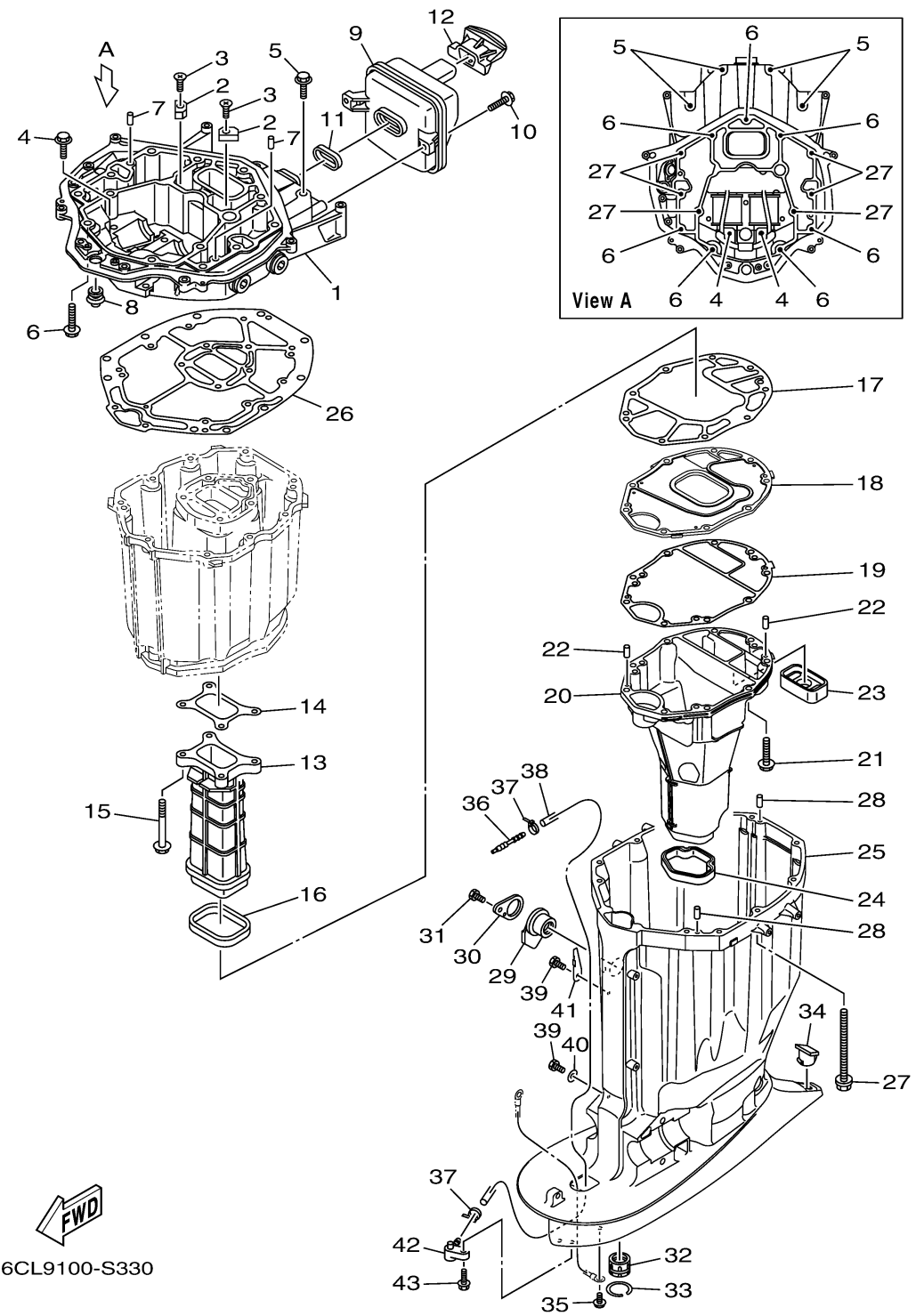


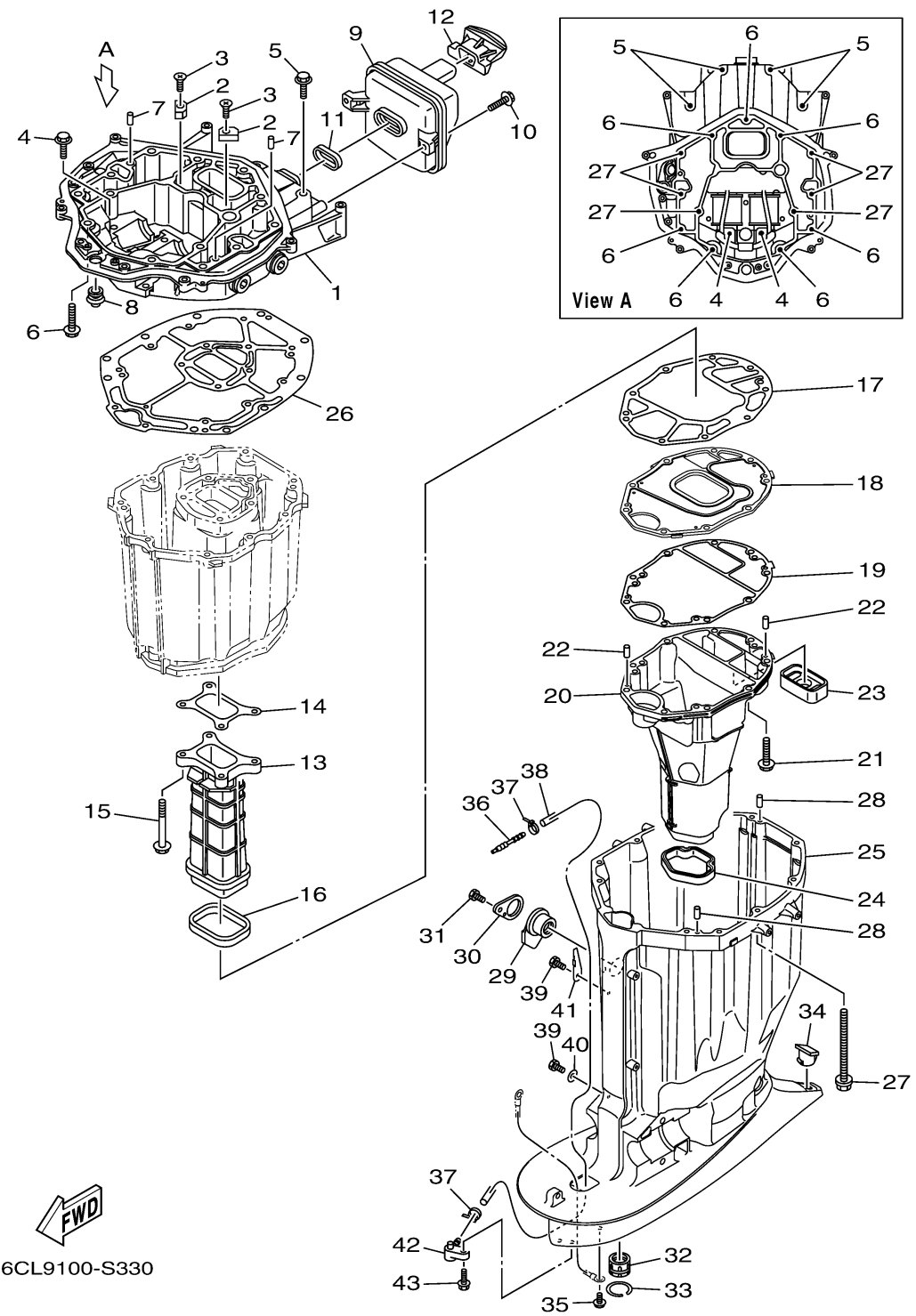
UPPER CASING



| Ref No. | Part Number | Description | Qty | Remarks |
|---------|-----------------|-------------------------------|-----|---------|
| 1 | 6CE-41137-01-00 | GUIDE, EXHAUST | 1 | |
| 2 | 63P-11325-11-00 | ANODE | 2 | |
| 3 | 90151-06M02-00 | SCREW, COUNTERSUNK | 2 | |
| 4 | 90119-08182-00 | BOLT, WITH WASHER | 2 | |
| 5 | 97E75-10545-00 | BOLT, HEXAGON W/W DEEP RECESS | 4 | |
| 6 | 97E75-10535-00 | BOLT, HEXAGON W/W DEEP RECESS | 7 | |
| 7 | 93608-16M16-00 | PIN, DOWEL | 2 | |
| 8 | 6E5-42724-00-00 | GROMMET | 1 | |
| 9 | 6CB-14750-A0-00 | SILENCER ASSY | 1 | |
| 10 | 95D95-06020-00 | BOLT, FLANGE DEEP RECESS | 2 | |
| 11 | 6CB-14755-00-00 | .GASKET, SILENCER | 1 | |
| 12 | 6CB-42769-01-00 | SEAL, RUBBER | 1 | |
| 13 | 6CB-41132-01-00 | MANIFOLD, EXHAUST | 1 | |
| 14 | 6CB-41134-00-00 | .GASKET, EXHAUST MANIFOLD | 1 | |
| 15 | 97E75-08560-00 | BOLT, HEXAGON W/W DEEP RECESS | 4 | |
| 16 | 6CB-41138-00-00 | .SEAL, EXT. 1 | 1 | |
| 17 | 6CB-41135-00-00 | .GASKET, EXHAUST MANIFOLD | 1 | |
| 18 | 6CE-45181-01-00 | PLATE | 1 | |
| 19 | 6CE-41136-00-00 | .GASKET, EXHAUST MANIFOLD 4 | 1 | |
| 20 | 6CE-14711-01-00 | MUFFLER 1 | 1 | |

CONTINUED ON NEXT FRAME >

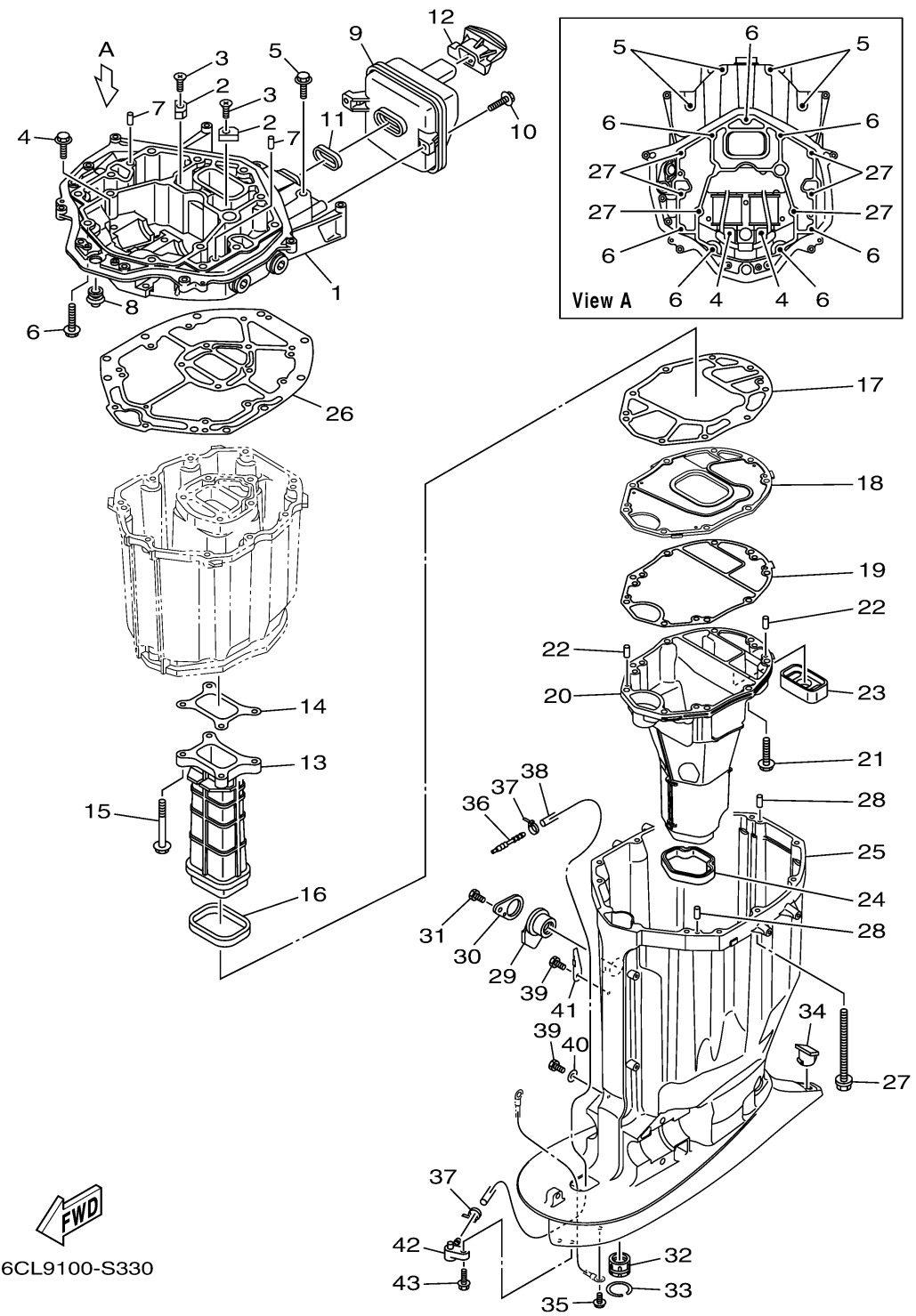
UPPER CASING



| Ref No. | Part Number | Description | Qty | Remarks |
|---------|-----------------|-------------------------------|-----|------------------|
| 21 | 97E75-08535-00 | BOLT, HEXAGON W/W DEEP RECESS | 9 | |
| 22 | 93606-19M23-00 | .PIN, DOWEL | 2 | |
| 23 | 6CE-45127-00-00 | .SEAL | 1 | |
| 24 | 6CE-45123-00-00 | .GASKET, MUFFLER | 1 | |
| 25 | 6CE-45111-01-8D | CASING, UPPER | 1 | GRAY |
| 25 | 6CE-45111-01-CE | CASING, UPPER | 0 | WHITE |
| 26 | 6CB-45113-01-00 | .GASKET, UPPER CASING | 1 | |
| 27 | 90119-10007-00 | BOLT, WITH WASHER | 6 | |
| 28 | 93608-16M16-00 | PIN, DOWEL | 2 | |
| 29 | 6BB-15316-00-00 | DAMPER 1 | 1 | |
| 30 | 6BB-45152-01-00 | COVER, UPPER CASING 2 | 1 | |
| 31 | 97D95-06012-00 | BOLT, HEXAGON DEEP RECESS | 1 | |
| 32 | 69J-45318-01-00 | BUSHING, DRIVE SHAFT | 1 | |
| 33 | 93420-36M01-00 | CIRCLIP | 1 | |
| 34 | 61A-45155-00-00 | CAP | 1 | |
| 35 | 95D95-06010-00 | BOLT, FLANGE DEEP RECESS | 1 | |
| 36 | 6E5-83558-00-00 | END, NIPPLE | 0 | EXCEPT LAN SPEED |
| 37 | 90465-11M10-00 | CLAMP | 1 | FOR LAN SPEED |
| 37 | 90465-11M10-00 | CLAMP | 0 | EXCEPT LAN SPEED |
| 38 | 90445-07034-00 | HOSE (L2470) | 1 | FOR LAN SPEED |

CONTINUED ON NEXT FRAME >

UPPER CASING



| Ref No. | Part Number | Description | Qty | Remarks |
|---------|-----------------|---------------------------|-----|------------------|
| 38 | 90445-07032-00 | HOSE (L1920) | 0 | EXCEPT LAN SPEED |
| 39 | 97D95-06010-00 | BOLT, HEXAGON DEEP RECESS | 2 | |
| 40 | 90201-06M02-00 | WASHER, PLATE | 1 | |
| 41 | 90462-10061-00 | CLAMP | 1 | |
| 42 | 63P-45379-00-00 | NIPPLE, HOSE | 1 | |
| 43 | 90119-06287-00 | BOLT, WITH WASHER | 1 | |