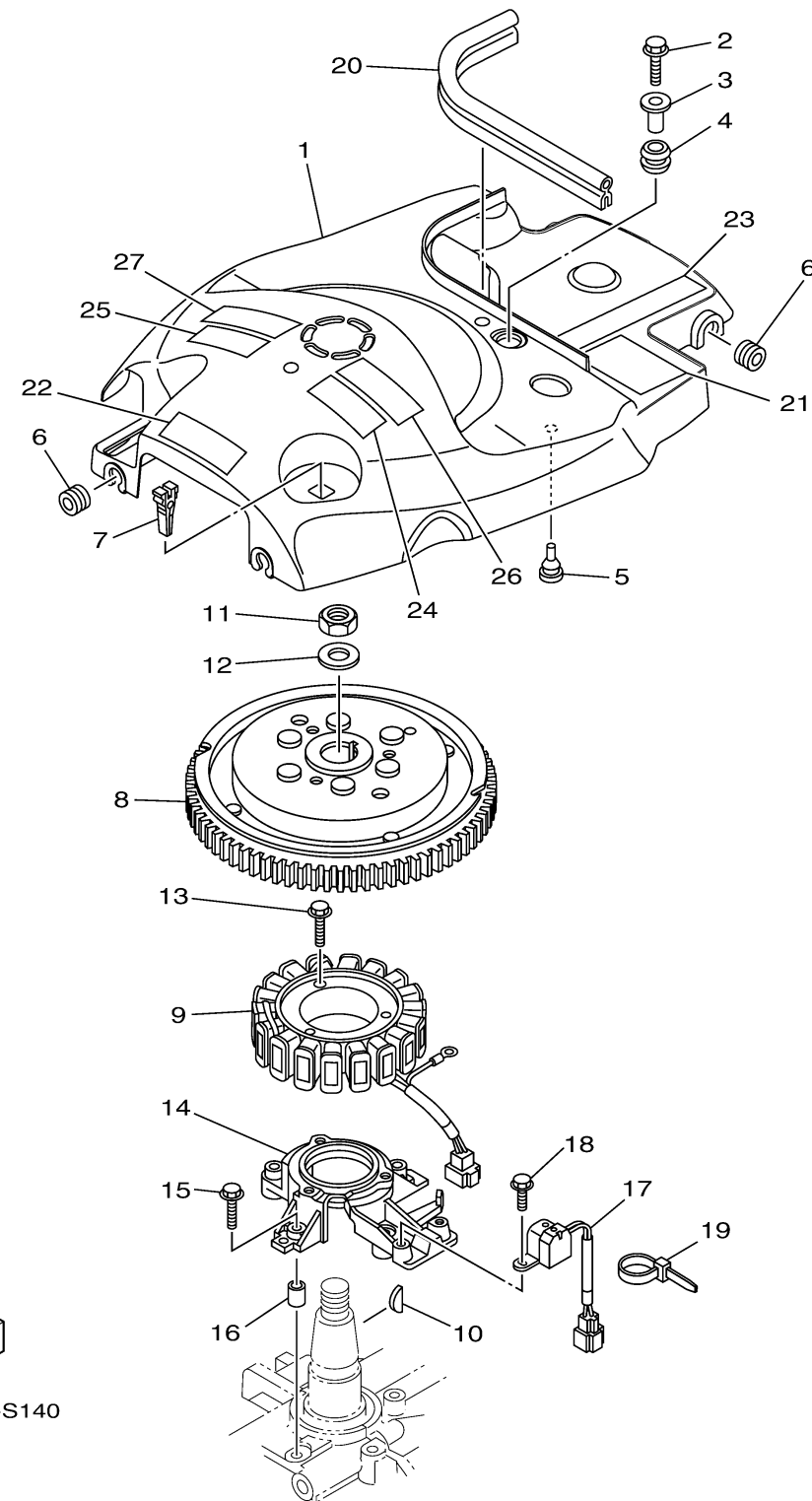


GENERATOR

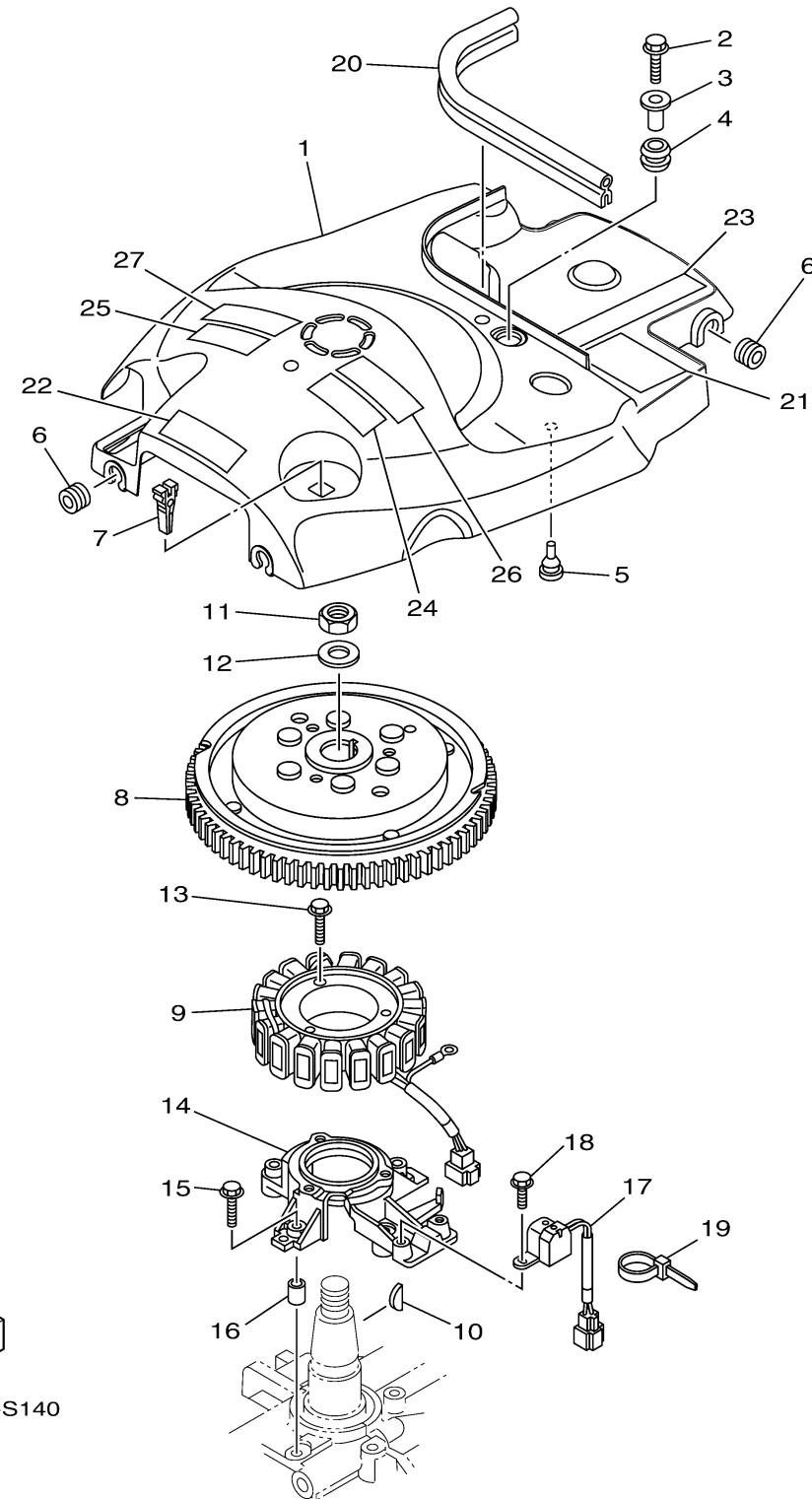


Ref No.	Part Number	Description	Qty	Remarks
1	6CJ-81337-10-00	COVER, FLYWHEEL	1	
2	95D95-06020-00	BOLT, FLANGE DEEP RECESS	1	
3	90387-06285-00	COLLAR	1	
4	90480-15M31-00	GROMMET	1	
5	90480-06M19-00	GROMMET	1	
6	90480-12314-00	GROMMET	4	
7	67F-2812A-00-00	.PULLER, FUSE	1	
8	6C5-81450-00-00	ROTOR ASSY	1	
9	6C5-81410-01-00	STATOR ASSY	1	
10	6H4-11545-00-00	KEY, WOODRUFF	1	
11	90170-20137-00	NUT	1	
12	90201-21M18-00	WASHER, PLATE	1	
13	95023-06030-00	BOLT	3	
14	6C5-85561-00-00	BASE, MAGNETO	1	
15	95023-06030-00	BOLT	4	
16	99530-08012-00	.PIN, DOWEL	2	
17	62Y-85580-00-00	COIL, PULSER	1	
18	97595-05512-00	BOLT, WITH WASHER	2	
19	90465-13M97-00	CLAMP	1	
20	6BG-42617-00-00	DAMPER, FORM	1	

CONTINUED ON NEXT FRAME >

GENERATOR

Ref No.	Part Number	Description	Qty	Remarks
21	62Y-83626-00-00	MARK 6	1	
22	6CJ-81919-00-00	GRAPHIC, REGULATOR	1	
23	6C5-13437-63-00	MARK, CAUTION	1	
24	6EE-81995-40-00	LABEL, WARNING	1	
25	6EE-81995-50-00	LABEL, WARNING	1	
26	6EE-81994-40-00	LABEL, SAFETY	1	
27	6EE-81994-50-00	LABEL, SAFETY	1	



FWD
6CJ9100-S140