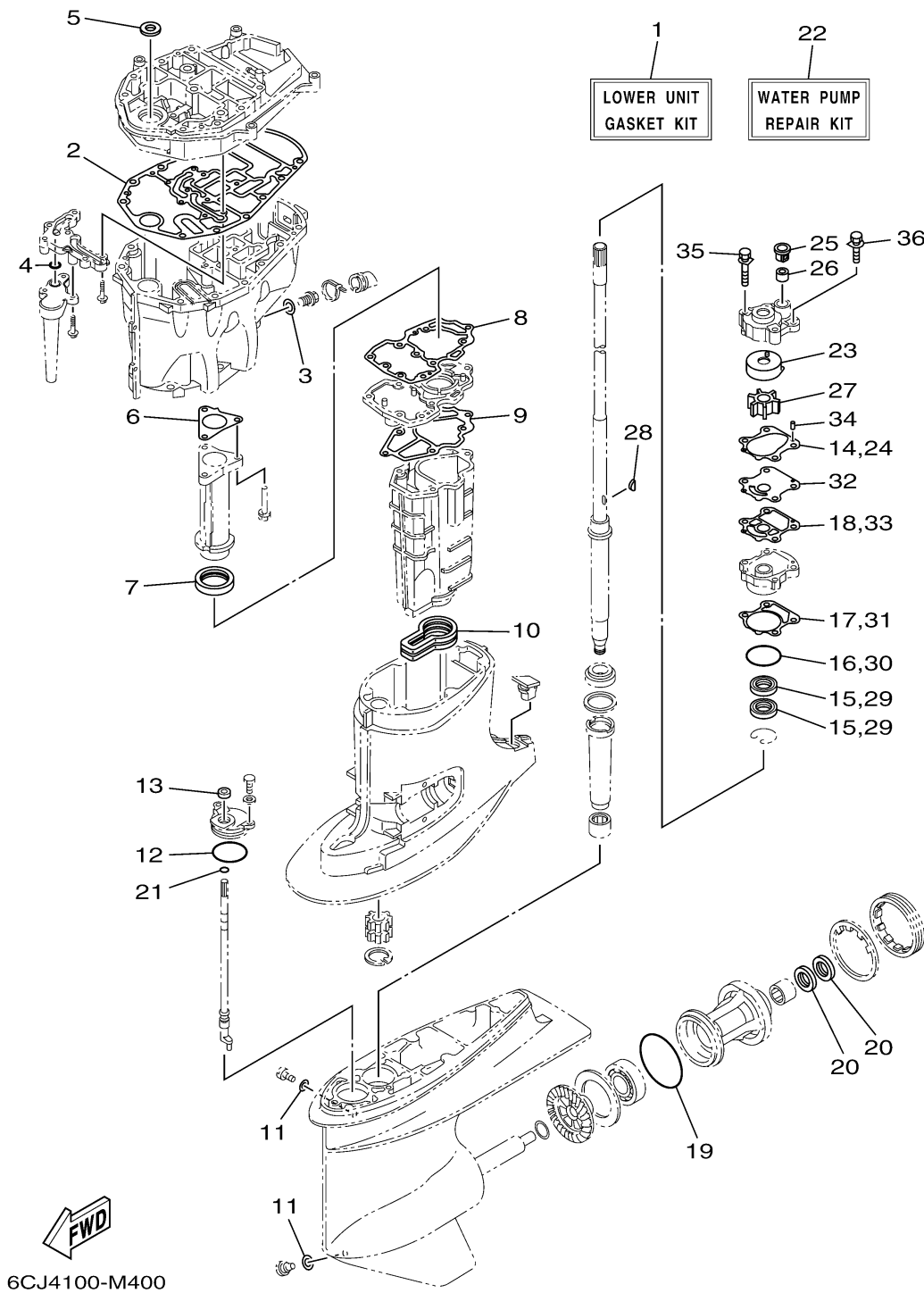


REPAIR KIT 2

Ref No.	Part Number	Description	Qty	Remarks
1	6CJ-W0001-21-00	LOWER UNIT GASKET KIT	1	
2	6C5-15312-01-00	..GASKET, OIL PAN	1	
3	90430-14M09-00	..GASKET	1	
4	93210-12790-00	..O-RING	1	
5	93103-18011-00	..OIL SEAL	1	
6	6C5-41133-00-00	..GASKET, EXHAUST MANIFOLD 1	1	
7	6C5-46132-00-00	..GASKET 1	1	
8	6C5-41134-00-00	..GASKET, EXHAUST MANIFOLD	1	
9	6C5-41135-00-00	..GASKET, EXHAUST MANIFOLD	1	
10	6C5-45123-00-00	..GASKET, MUFFLER	1	
11	90430-08003-00	..GASKET	2	
12	93210-49046-00	..O-RING	1	
13	93106-09014-00	..OIL SEAL	1	
14	6CJ-44315-00-00	..GASKET, WATER PUMP	1	
15	93101-23070-00	..OIL SEAL	2	
16	93210-46044-00	..O-RING	1	
17	6CJ-44316-00-00	..GASKET, WATER PUMP	1	
18	6CJ-44324-00-00	..GASKET, CARTRIDGE	1	
19	93210-86M39-00	..O-RING	1	
20	93101-25M03-00	..OIL SEAL	2	

CONTINUED ON NEXT FRAME >



REPAIR KIT 2

Ref No.	Part Number	Description	Qty	Remarks
21	93210-07003-00	. .O-RING	1	
22	6CJ-W0078-00-00	WATER PUMP REPAIR KIT	1	
23	63D-44322-00-00	. .INSERT, CARTRIDGE	1	
24	6CJ-44315-00-00	. .GASKET, WATER PUMP	1	
25	63D-44312-00-00	. .COVER, WATER PUMP HOUSING	1	
26	663-44366-00-00	. .DAMPER, WATER SEAL 2	1	
27	6H3-44352-00-00	. .IMPELLER	1	
28	90280-03M03-00	. .KEY, WOODRUFF	1	
29	93101-23070-00	. .OIL SEAL	2	
30	93210-46044-00	. .O-RING	1	
31	6CJ-44316-00-00	. .GASKET, WATER PUMP	1	
32	6CJ-44323-00-00	. .OUTER PLATE, CARTRIDGE	1	
33	6CJ-44324-00-00	. .GASKET, CARTRIDGE	1	
34	93604-10M03-00	. .PIN, DOWEL	2	
35	90119-08M33-00	. .BOLT, WITH WASHER	2	
36	90119-08M14-00	. .BOLT, WITH WASHER	2	