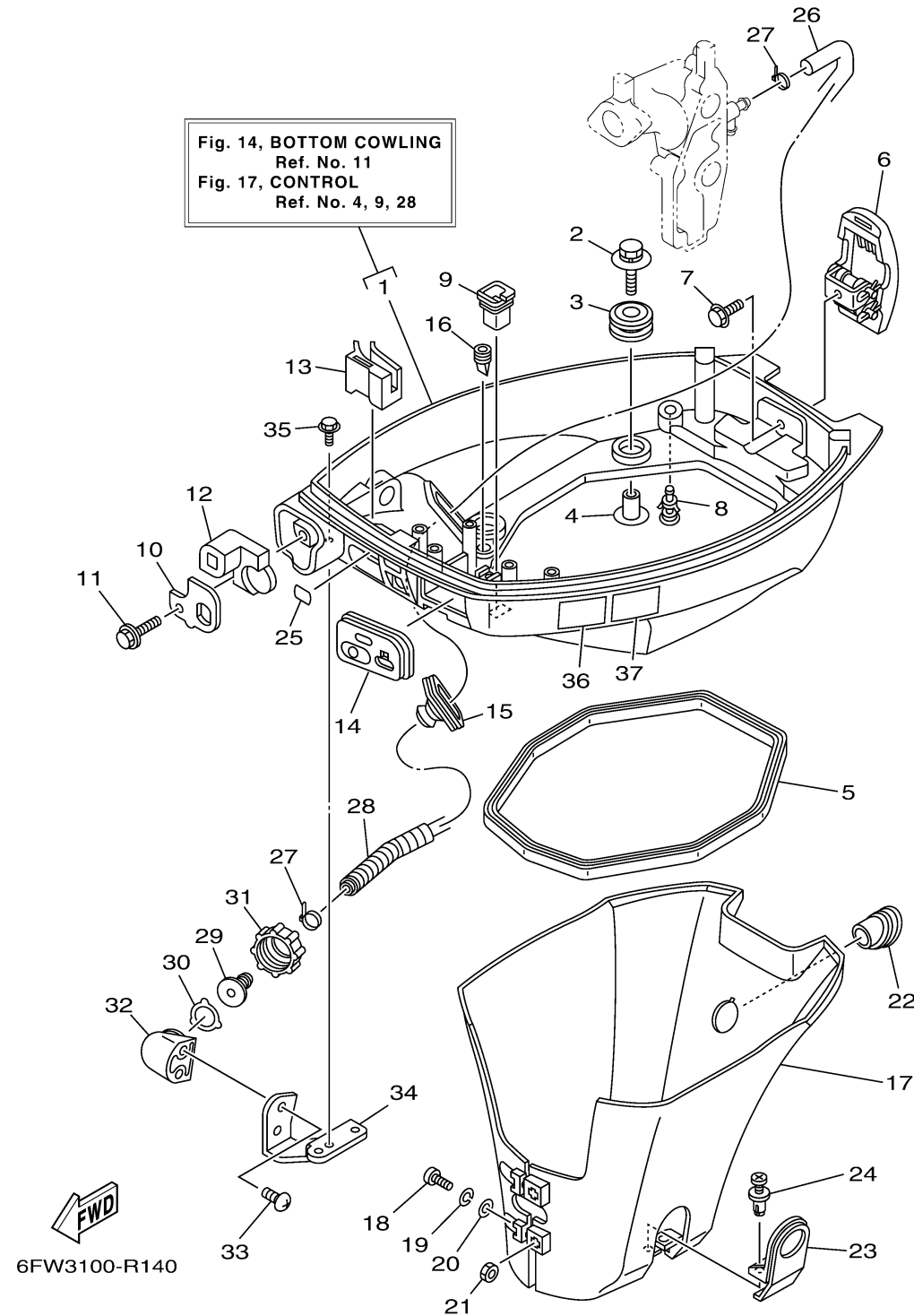
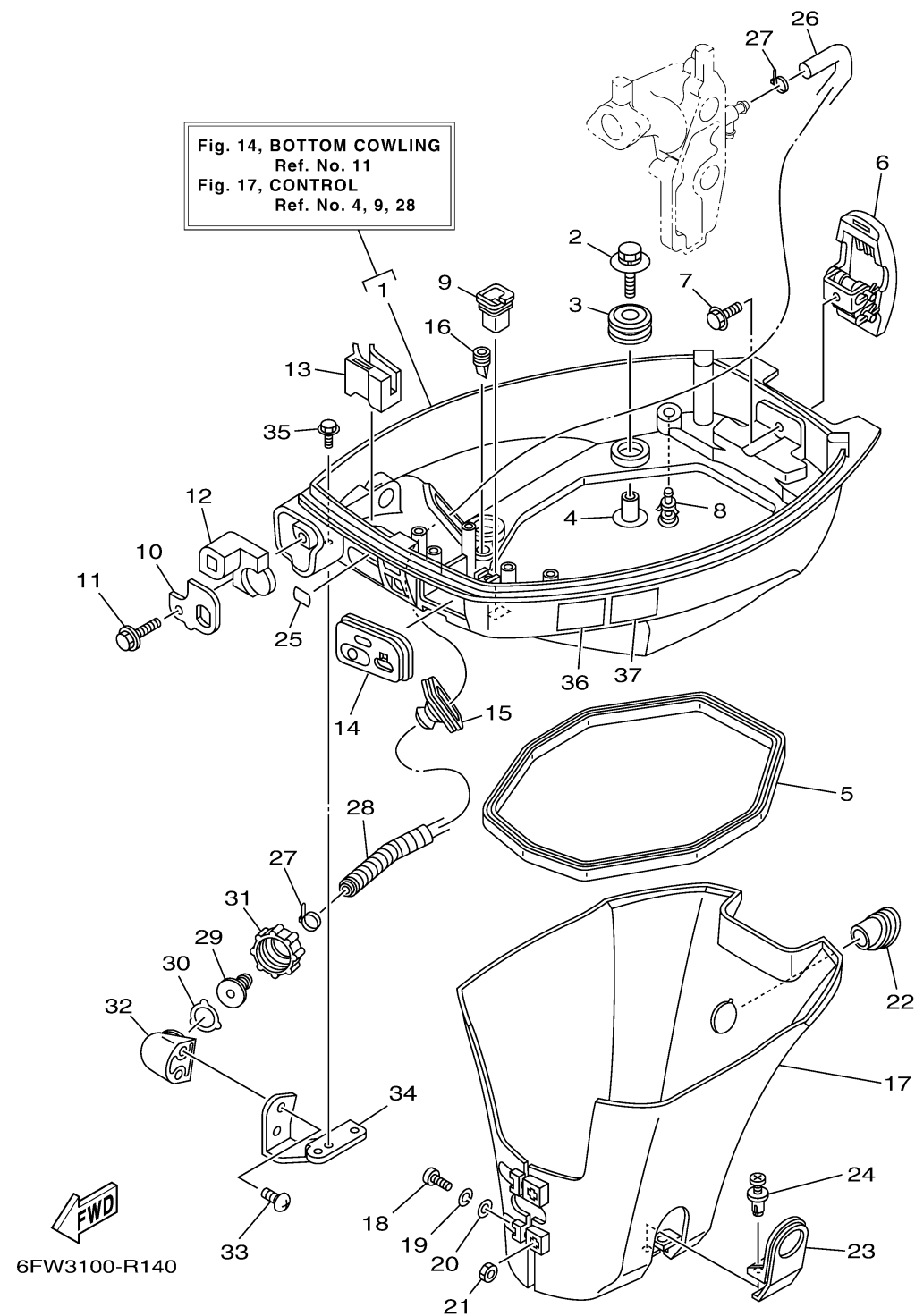


BOTTOM COWLING



Ref No.	Part Number	Description	Qty	Remarks
1	6DR-42710-00-8D	BOTTOM COWLING ASSY	1	
2	68F-85119-00-00	BOLT	4	
3	90480-21M82-00	GROMMET	4	
4	90387-06176-00	COLLAR	4	
5	68T-42716-10-00	RUBBER SEAL 1	1	
6	6AU-42801-00-00	COWLING CLAMP COMP.	1	
7	97E95-06512-00	BOLT, HEXAGON W/W DEEP RECESS	1	
8	6BL-44391-00-00	NIPPLE, HOSE	1	
9	682-42727-00-00	GROMMET	1	
10	6DR-42761-00-00	STOPPER	1	
11	90109-06M86-00	BOLT	1	
12	6DR-42725-00-00	GROMMET	1	
13	68T-26367-00-00	PROTECTOR	1	
14	68T-42724-20-00	GROMMET	1	
15	688-42726-10-00	GROMMET	1	FLUSHING KIT
16	65W-42717-00-00	RUBBER, SEAL 2	2	
17	68T-42741-00-00	APRON	1	
18	97885-06030-00	SCREW, PAN HEAD	2	
19	92995-06100-00	WASHER, SPRING	2	
20	92995-06600-00	WASHER	2	

CONTINUED ON NEXT FRAME >



BOTTOM COWLING

Ref No.	Part Number	Description	Qty	Remarks
21	95380-06600-00	NUT, HEXAGON	2	
22	68T-42717-00-00	RUBBER, SEAL 2	1	
23	68T-42771-00-00	APRON	1	
24	90338-06M20-00	PLUG	2	
25	65W-84342-00-00	SEAT, EMBLEM	1	
26	6E5-12481-00-00	PIPE 1	1	FLUSHING KIT
27	90465-11M10-00	CLAMP	2	FLUSHING KIT
28	90447-13M00-00	TUBE	1	FLUSHING KIT
29	6R3-12582-00-00	JOINT, HOSE 2	1	FLUSHING KIT
30	6R3-12583-00-00	GASKET, HOSE JOINT	1	FLUSHING KIT
31	6R3-12581-00-00	JOINT, HOSE 1	1	FLUSHING KIT
32	6DR-12572-00-00	ADAPTER	1	FLUSHING KIT
33	90167-06002-00	SCREW, TAPPING	2	FLUSHING KIT
34	68T-12535-20-00	PLATE	1	FLUSHING KIT
35	97E95-06512-00	BOLT, HEXAGON W/W DEEP RECESS	2	FLUSHING KIT
36	6EE-42794-40-00	LABEL, WARNING (GENERAL)	1	
37	6EE-42794-50-00	LABEL, WARNING (GENERAL)	1	