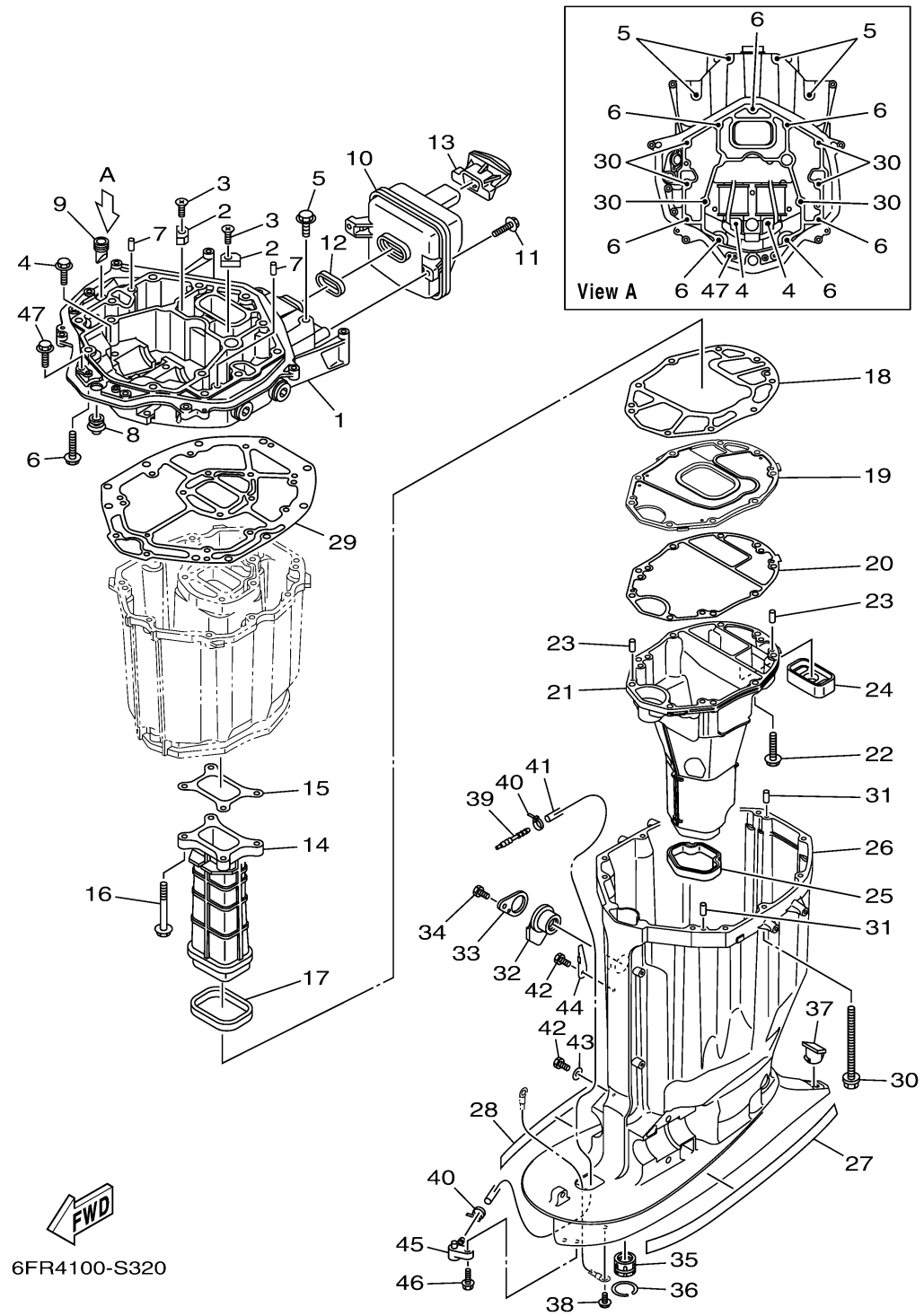
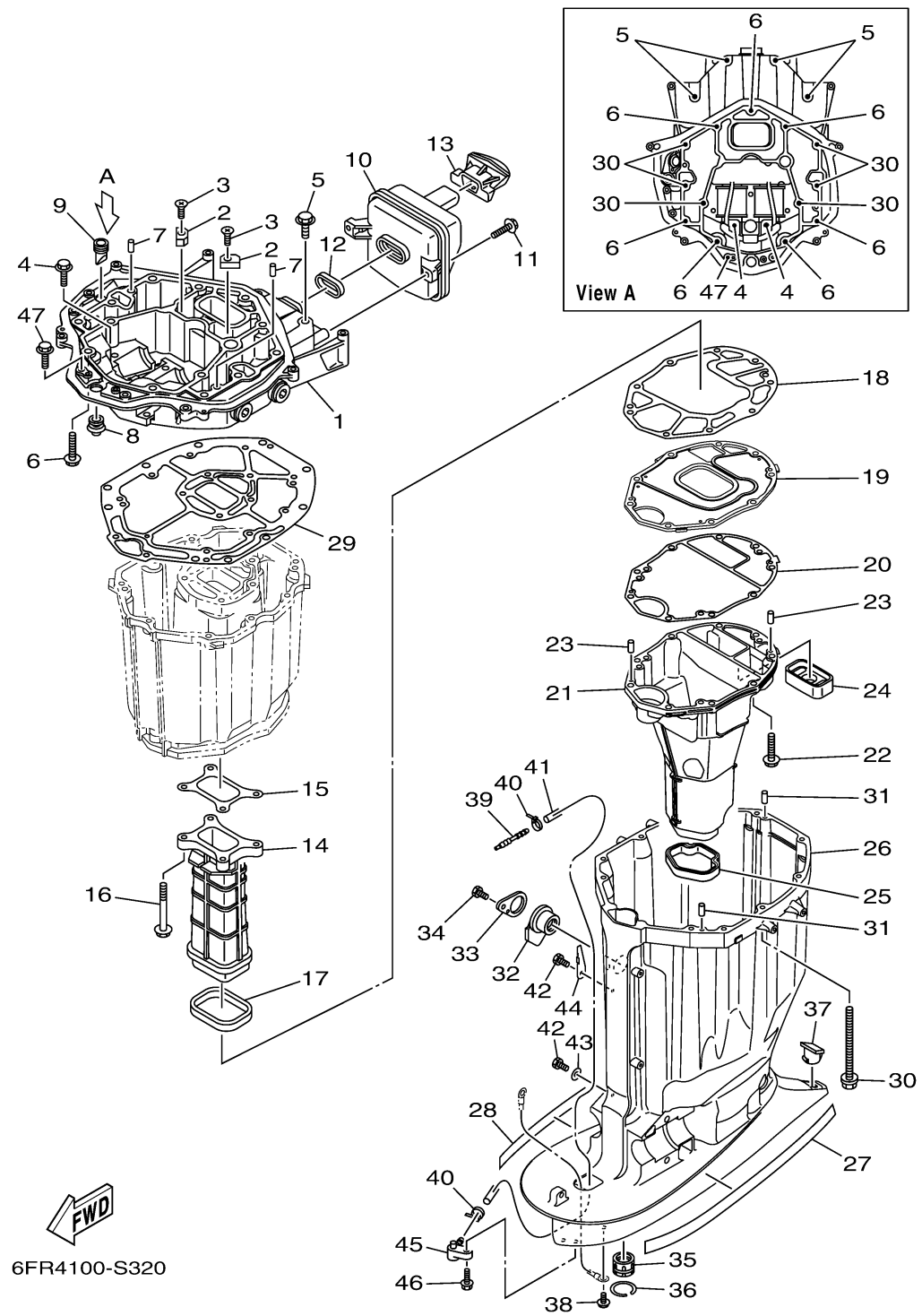


UPPER CASING



Ref No.	Part Number	Description	Qty	Remarks
1	6CE-41137-01-00	GUIDE, EXHAUST	1	
2	63P-11325-11-00	ANODE	2	
3	90151-06M02-00	SCREW, COUNTERSUNK	2	
4	90119-08182-00	BOLT, WITH WASHER	2	
5	97E75-10545-00	BOLT, HEXAGON W/W DEEP RECESS	4	
6	97E75-10535-00	BOLT, HEXAGON W/W DEEP RECESS	7	
7	93608-16M16-00	PIN, DOWEL	2	
8	6E5-42724-00-00	GROMMET	1	
9	61A-42717-00-00	RUBBER, SEAL 2	1	
10	6CB-14750-A0-00	SILENCER ASSY	1	
11	95D95-06020-00	BOLT, FLANGE DEEP RECESS	2	
12	6CB-14755-00-00	.GASKET, SILENCER	1	
13	6CB-42769-01-00	SEAL, RUBBER	1	
14	6CB-41132-01-00	MANIFOLD, EXHAUST	1	
15	6CB-41134-00-00	.GASKET, EXHAUST MANIFOLD	1	
16	97E75-08560-00	BOLT, HEXAGON W/W DEEP RECESS	4	
17	6CB-41138-00-00	.SEAL, EXT. 1	1	
18	6CB-41135-00-00	.GASKET, EXHAUST MANIFOLD	1	
19	6CE-45181-01-00	PLATE	1	
20	6CE-41136-00-00	.GASKET, EXHAUST MANIFOLD 4	1	

CONTINUED ON NEXT FRAME >

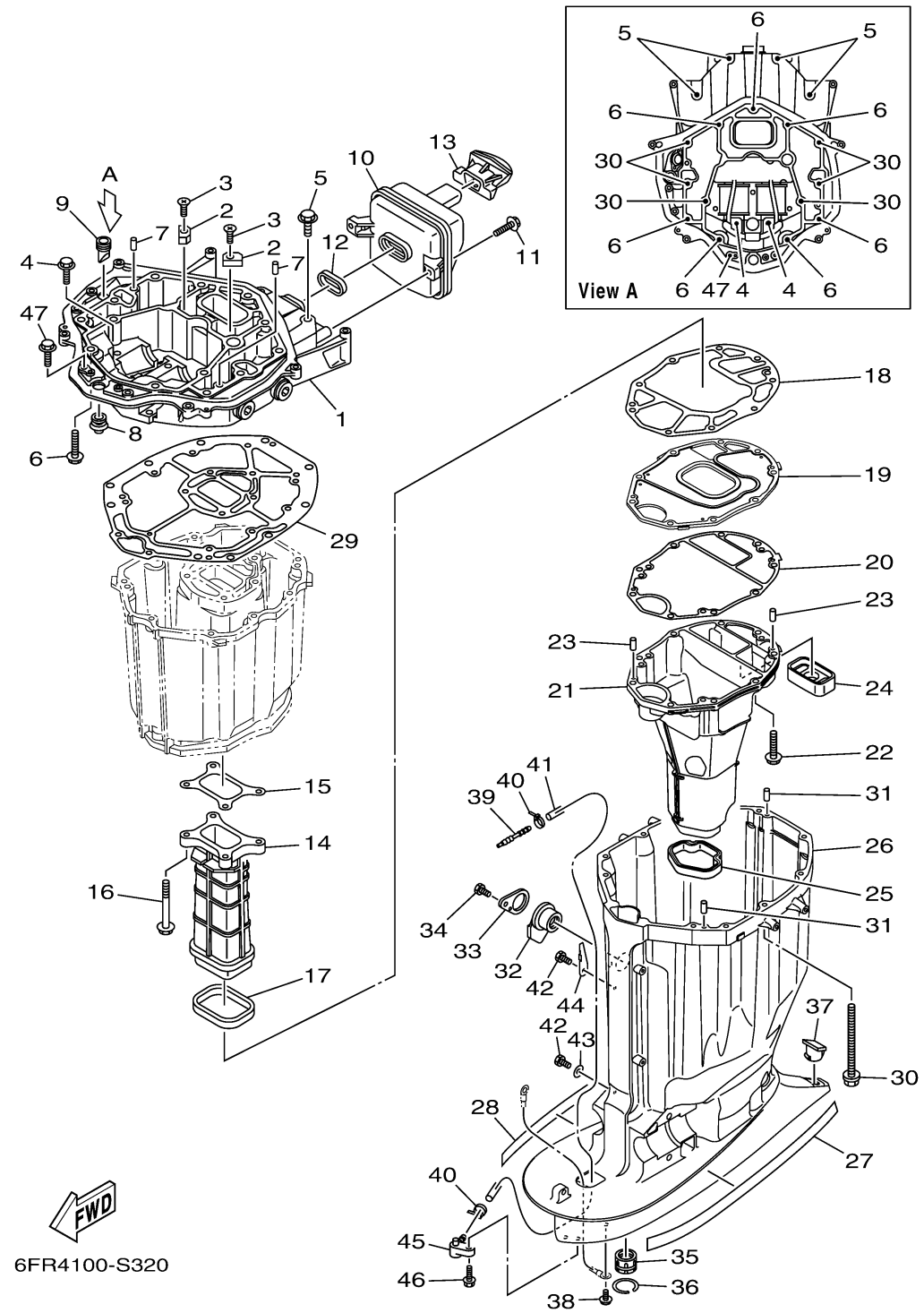


UPPER CASING

Ref No.	Part Number	Description	Qty	Remarks
21	6CE-14711-01-00	MUFFLER 1	1	
22	97E75-08535-00	BOLT, HEXAGON W/W DEEP RECESS	9	
23	93606-19M23-00	.PIN, DOWEL	2	
24	6CE-45127-00-00	.SEAL	1	
25	6CE-45123-00-00	.GASKET, MUFFLER	1	
26	6CE-45111-01-8D	CASING, UPPER	1	
27	6CB-42791-00-00	MARK 1	1	
28	6CB-42792-00-00	MARK 2	1	
29	6CB-45113-01-00	.GASKET, UPPER CASING	1	
30	90119-10007-00	BOLT, WITH WASHER	6	
31	93608-16M16-00	PIN, DOWEL	2	
32	6BB-15316-00-00	DAMPER 1	1	
33	6BB-45152-01-00	COVER, UPPER CASING 2	1	
34	97D95-06012-00	BOLT, HEXAGON DEEP RECESS	1	
35	69J-45318-01-00	BUSHING, DRIVE SHAFT	1	
36	93420-36M01-00	CIRCLIP	1	
37	61A-45155-00-00	CAP	1	
38	95D95-06010-00	BOLT, FLANGE DEEP RECESS	1	
39	6E5-83558-00-00	END, NIPPLE	1	
40	90465-11M10-00	CLAMP	2	

CONTINUED ON NEXT FRAME >

UPPER CASING



Ref No.	Part Number	Description	Qty	Remarks
41	90445-07032-00	HOSE (L1920)	1	
42	97D95-06010-00	BOLT, HEXAGON DEEP RECESS	2	
43	90201-06M02-00	WASHER, PLATE	1	
44	90462-10061-00	CLAMP	1	
45	63P-45379-00-00	NIPPLE, HOSE	1	
46	90119-06287-00	BOLT, WITH WASHER	1	
47	95D95-06014-00	BOLT, FLANGE DEEP RECESS	1	