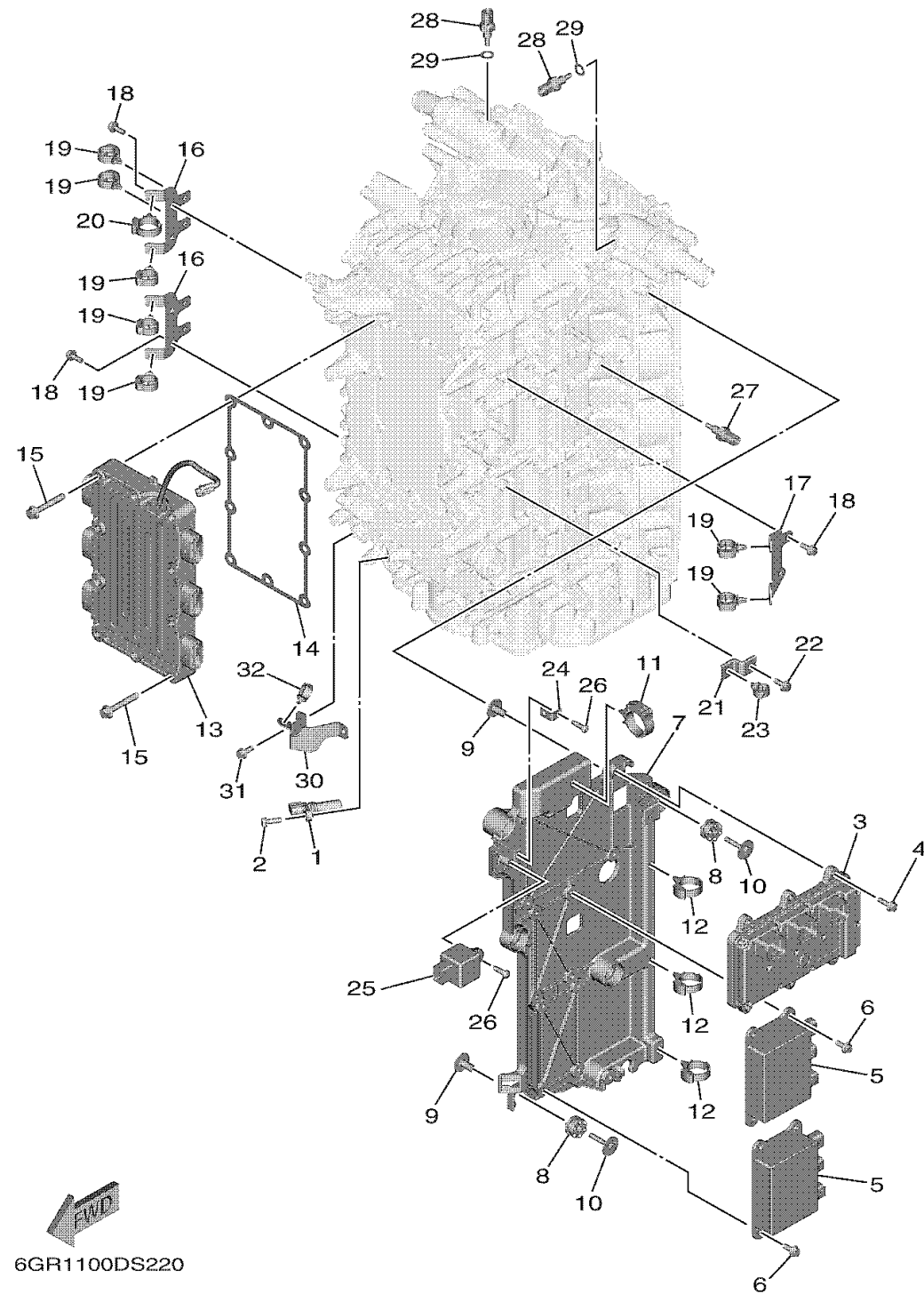
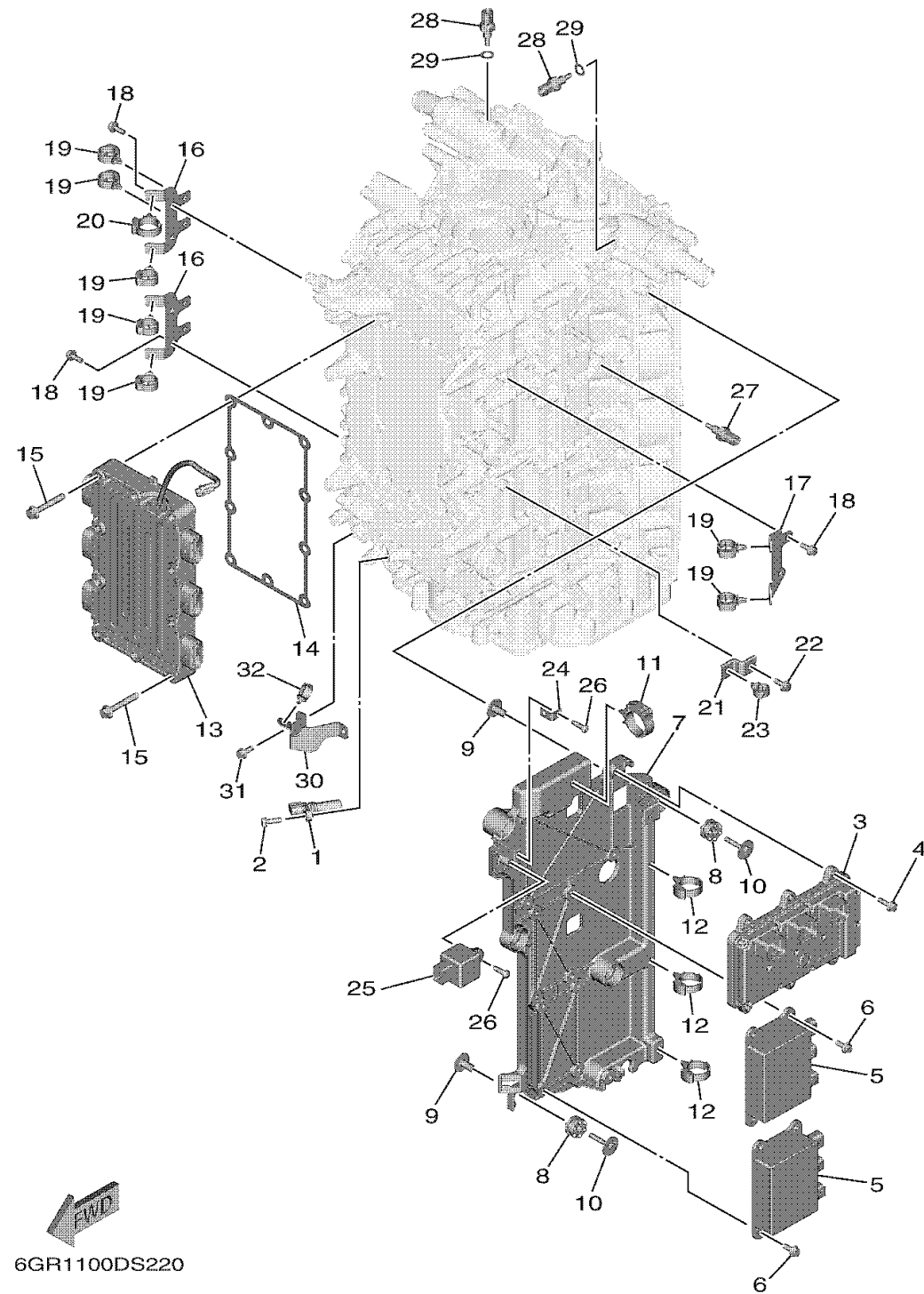


ELECTRICAL 1



| Ref No. | Part Number | Description | Qty | Remarks |
|---------|-----------------|-------------------------------|-----|--------------|
| 1 | 6GR-85895-00-00 | CRANK POSITION SENSOR | 1 | |
| 2 | 97E95-06520-00 | BOLT, HEXAGON W/W DEEP RECESS | 1 | |
| 3 | 6GR-8591A-03-00 | ENGINE CONTROL UNIT ASSY | 1 | FOR XF425NSA |
| 3 | 6GR-8591A-10-00 | ENGINE CONTROL UNIT ASSY | 0 | FOR XF425NSB |
| 4 | 95D95-06020-00 | BOLT, FLANGE DEEP RECESS | 4 | |
| 5 | 6GR-8591B-00-00 | DRIVER, INJECTOR ASSY | 2 | |
| 6 | 95D95-06016-00 | BOLT, FLANGE DEEP RECESS | 8 | |
| 7 | 6GR-81948-00-00 | BRACKET | 1 | |
| 8 | 60V-85564-00-00 | GROMMET | 6 | |
| 9 | 90387-06176-00 | COLLAR | 6 | |
| 10 | 68F-85119-00-00 | BOLT | 6 | |
| 11 | 90464-32002-00 | CLAMP | 1 | |
| 12 | 90464-12183-00 | CLAMP | 3 | |
| 13 | 6GR-81960-00-00 | RECTIFIER & REGULATOR ASSY | 1 | FOR XF425NSA |
| 13 | 6GR-81960-10-00 | RECTIFIER & REGULATOR ASSY | 0 | FOR XF425NSB |
| 14 | 6GR-81975-00-00 | PLATE, RECTIFIER FITTING | 1 | |
| 15 | 90105-08175-00 | BOLT, FLANGE | 10 | |
| 16 | 6GR-8132G-00-00 | PLATE | 2 | |
| 17 | 6GR-818D2-00-00 | PLATE, 2 | 1 | |
| 18 | 95D95-06016-00 | BOLT, FLANGE DEEP RECESS | 6 | |

CONTINUED ON NEXT FRAME >



ELECTRICAL 1

| Ref No. | Part Number | Description | Qty | Remarks |
|---------|-----------------|--------------------------|-----|---------|
| 19 | 90464-20181-00 | CLAMP | 7 | |
| 20 | 90464-12183-00 | CLAMP | 1 | |
| 21 | 6DA-82388-00-00 | PLATE | 1 | |
| 22 | 95D95-06016-00 | BOLT, FLANGE DEEP RECESS | 1 | |
| 23 | 90464-13249-00 | CLAMP | 1 | |
| 24 | 68V-85548-01-00 | HOLDER | 1 | |
| 25 | 68V-81950-00-00 | RELAY ASSY | 1 | |
| 26 | 97780-60620-00 | SCREW, TAPPING | 2 | |
| 27 | 4P9-83591-00-00 | THERMO UNIT | 1 | |
| 28 | 6GR-85790-00-00 | THERMOSENSOR ASSY | 2 | |
| 29 | 90430-10004-00 | GASKET | 2 | |
| 30 | 6GR-83614-00-00 | BRACKET | 1 | |
| 31 | 95D95-06016-00 | BOLT, FLANGE DEEP RECESS | 2 | |
| 32 | 90464-13249-00 | CLAMP | 1 | |