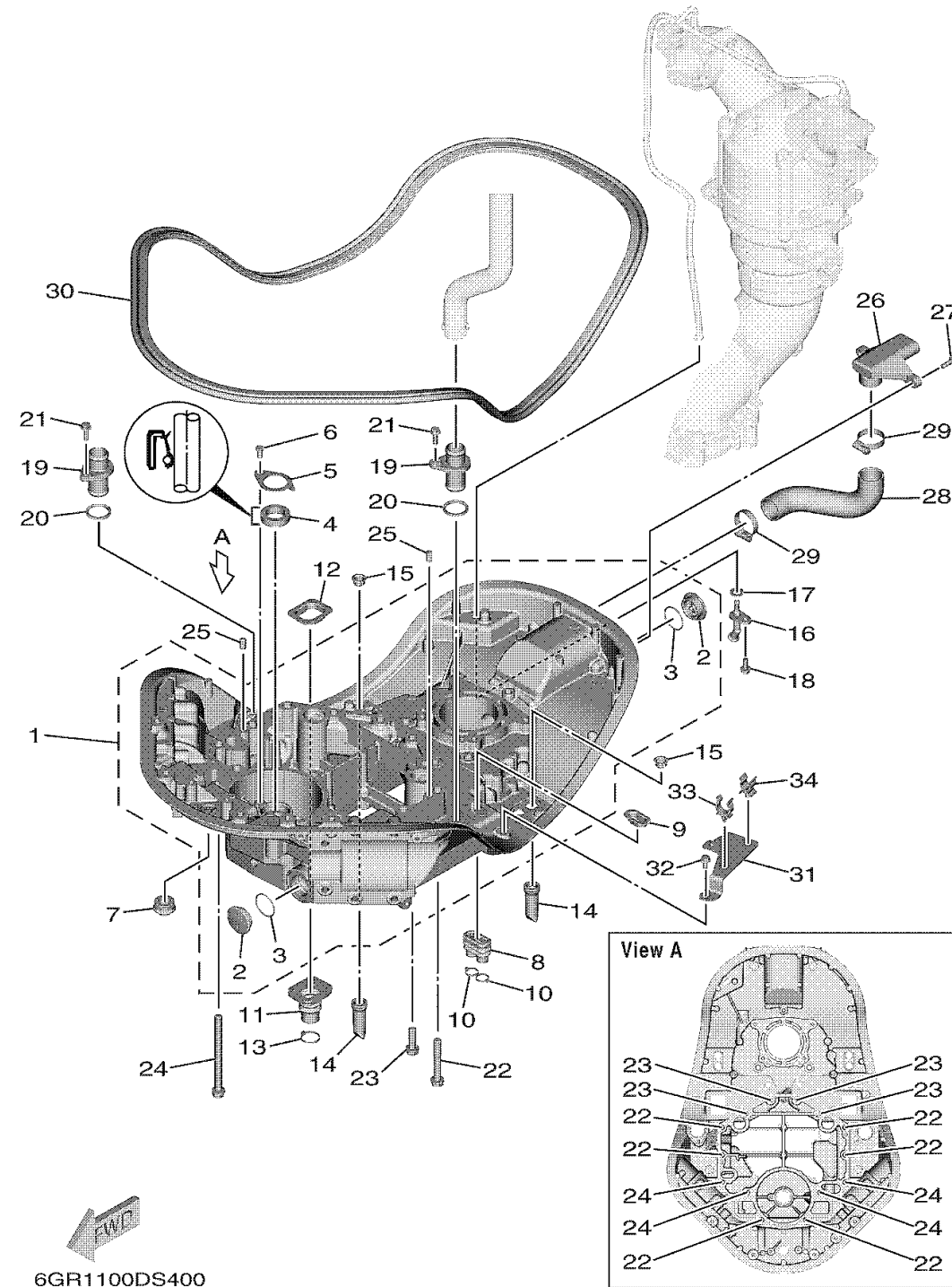


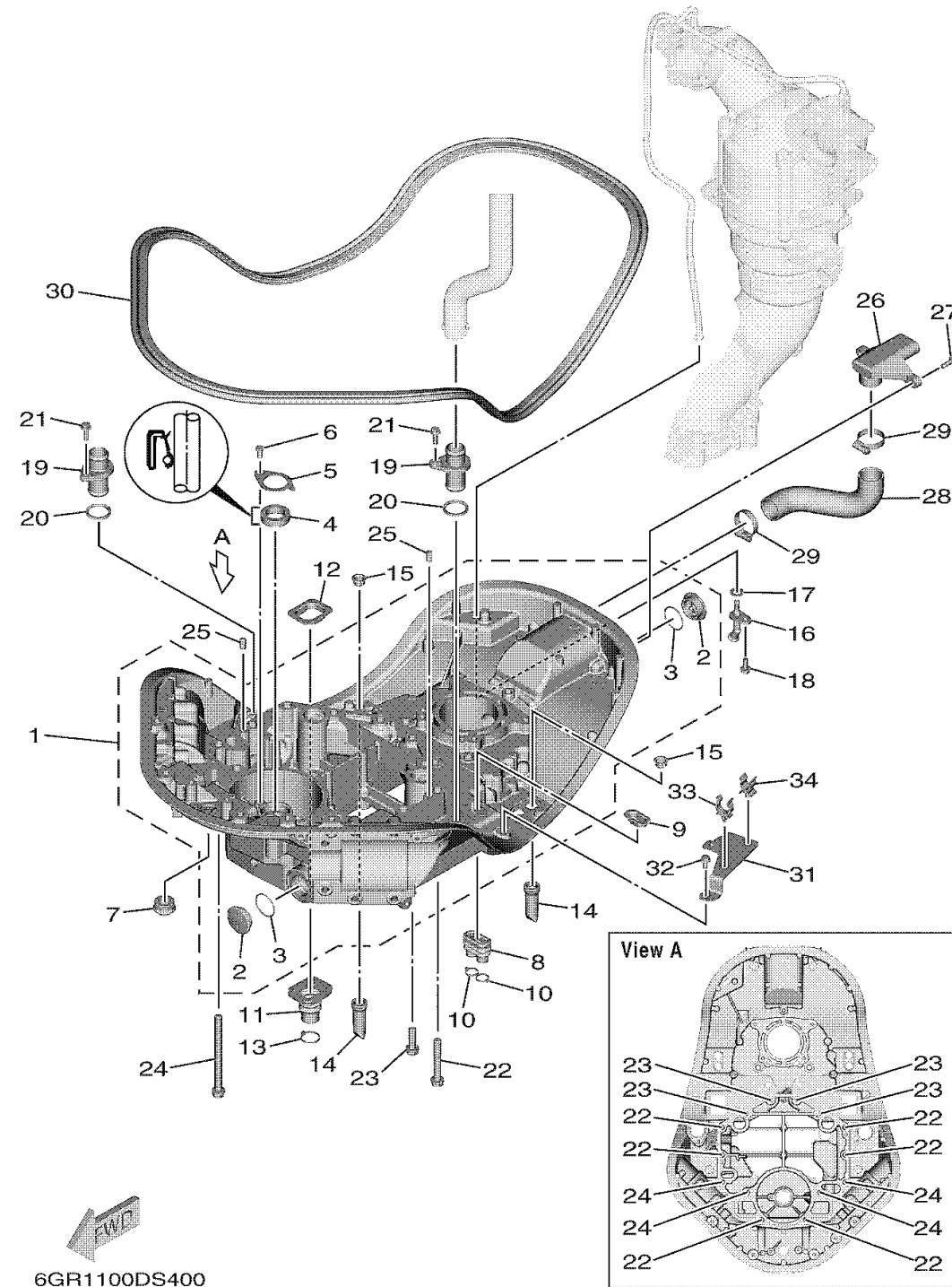
UPPER CASING 1



Ref No.	Part Number	Description	Qty	Remarks
1	6GR-41137-00-00	GUIDE, EXHAUST	1	
2	90340-32011-00	. .PLUG, STRAIGHT SCREW	2	
3	93210-32172-00	. O-RING	2	
4	93102-26004-00	.OIL SEAL	1	
5	6GR-41297-00-00	WASHER, 1	1	
6	97D95-06012-00	BOLT, HEXAGON DEEP RECESS	1	
7	6AW-42724-00-00	GROMMET	1	
8	6H1-42726-21-00	GROMMET	2	
9	6BG-42384-00-00	SEAL, CAP	2	
10	90465-11M10-00	CLAMP	4	
11	6GR-42724-00-00	GROMMET	1	
12	6GR-42384-00-00	SEAL, CAP	1	
13	90465-11M59-00	CLAMP	1	
14	6DA-42717-00-00	RUBBER, SEAL 2	4	
15	6DA-42384-00-00	SEAL, CAP	4	
16	6GR-44391-00-00	NIPPLE, HOSE	1	
17	60V-42747-10-00	PAD	1	
18	95D95-06016-00	BOLT, FLANGE DEEP RECESS	1	
19	6GR-12584-00-00	JOINT, HOSE 3	2	
20	6GR-44366-00-00	.DAMPER, WATER SEAL 2	2	

CONTINUED ON NEXT FRAME >

UPPER CASING 1



Ref No.	Part Number	Description	Qty	Remarks
21	95D95-06020-00	BOLT, FLANGE DEEP RECESS	2	
22	97E75-10570-00	BOLT, HEXAGON W/W DEEP RECESS	6	
23	90119-10040-00	.BOLT, WITH WASHER	4	
24	90119-10075-00	BOLT, WITH WASHER	4	
25	93608-16M16-00	PIN, DOWEL	2	
26	6GR-14753-00-00	SILENCER, EXHAUST	1	
27	95D95-06020-00	BOLT, FLANGE DEEP RECESS	2	
28	6GR-45135-00-00	PIPE	1	
29	90450-35003-00	HOSE CLAMP ASSY	2	
30	6GR-42716-00-00	.RUBBER SEAL 1	1	
31	6GR-82398-00-00	PLATE 3	1	
32	95D95-06012-00	BOLT, FLANGE DEEP RECESS	2	
33	90464-19M45-00	CLAMP	1	
34	90464-12015-00	CLAMP	1	