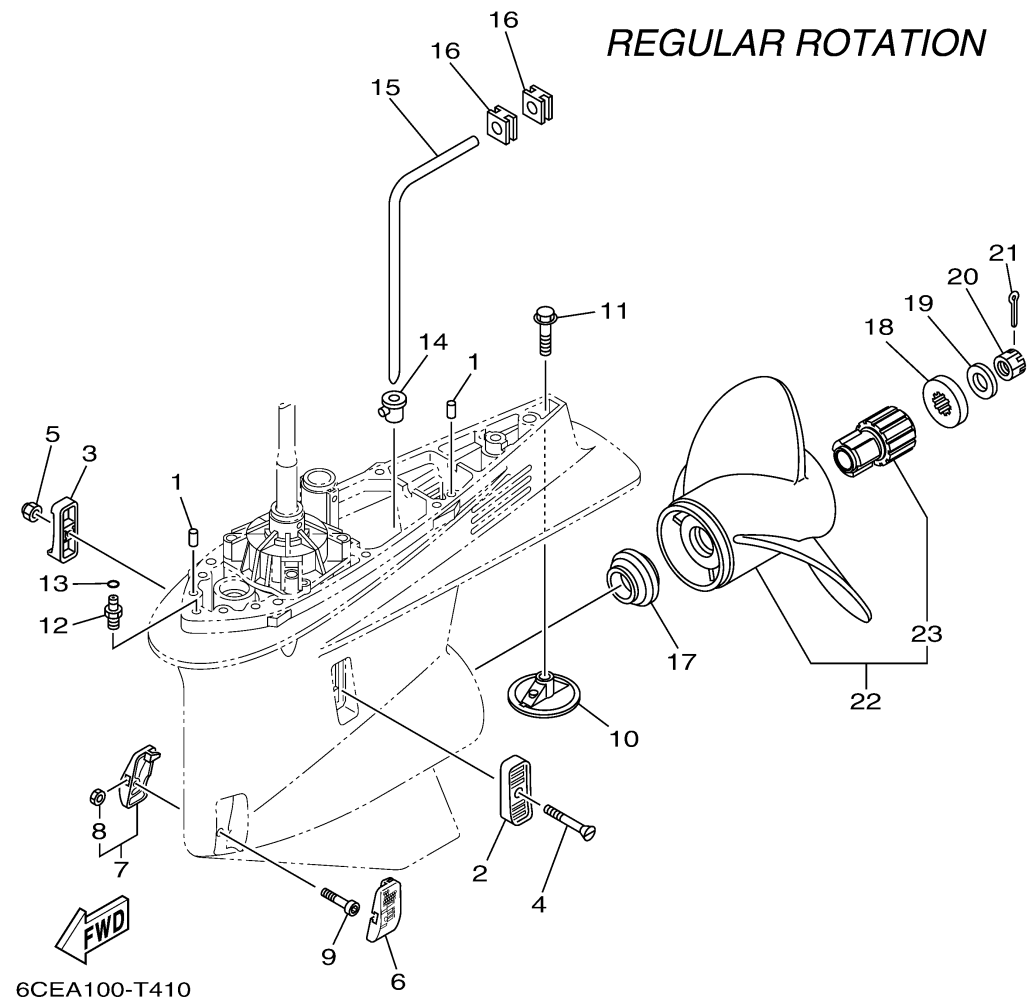
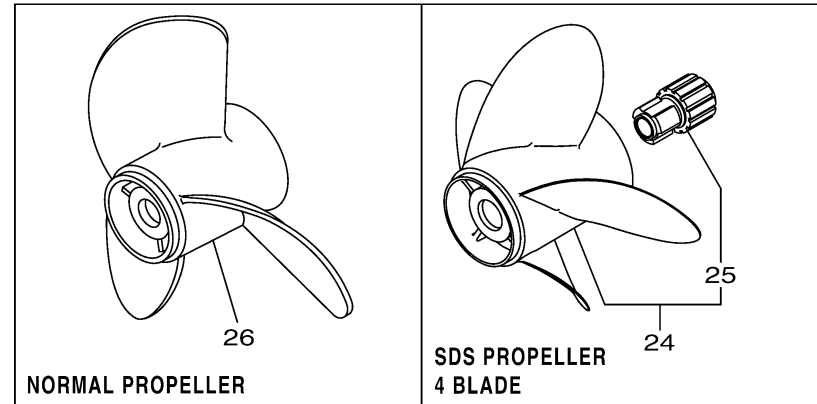
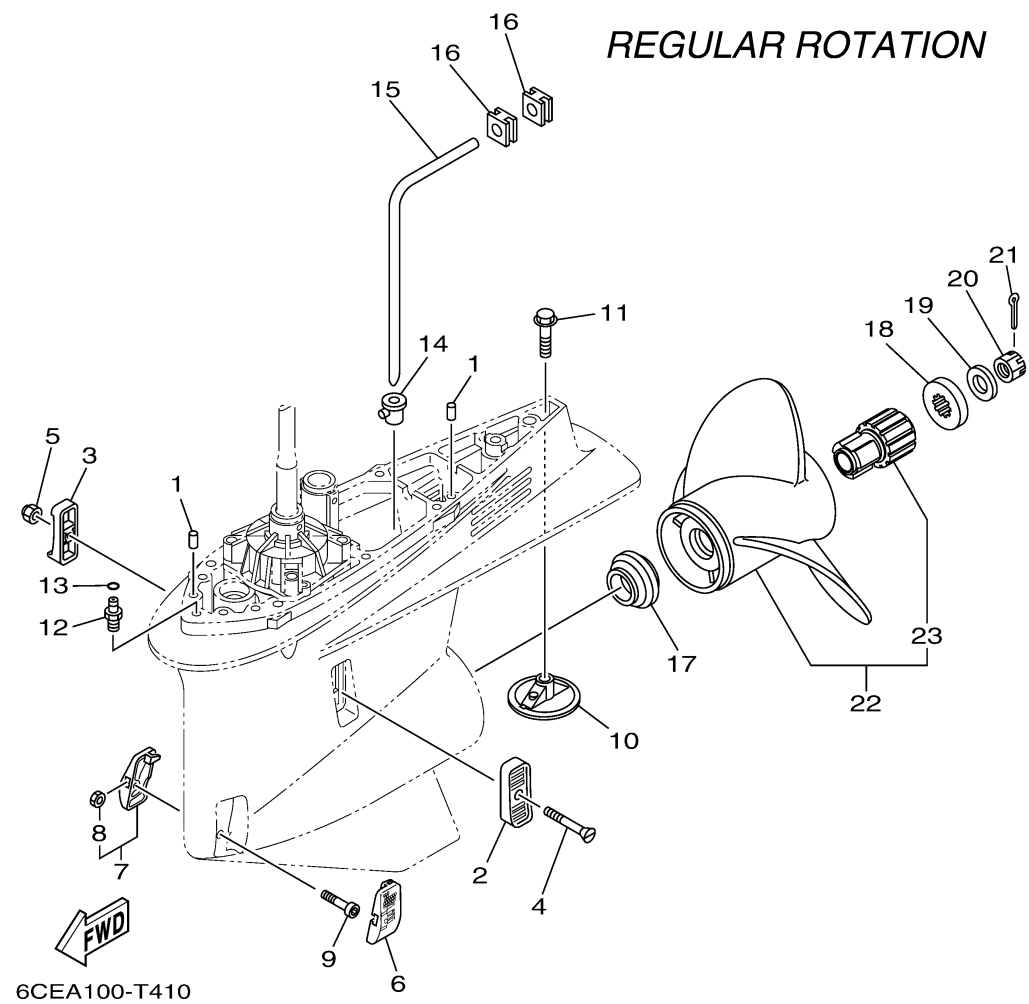
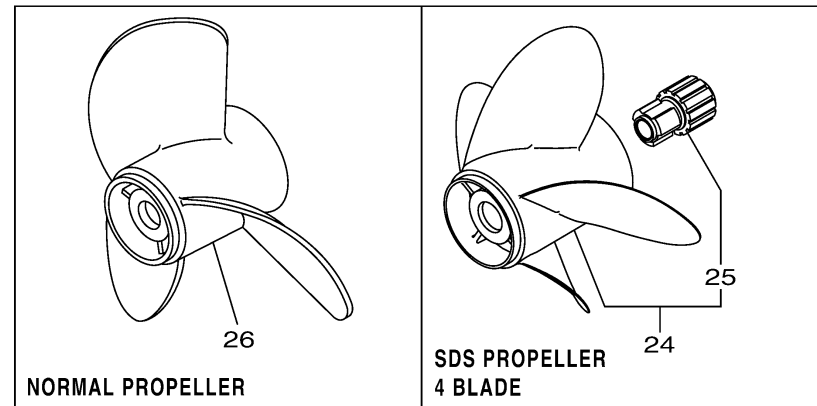


# LOWER CASING DRIVE 4



Ref No.	Part Number	Description	Qty	Remarks
1	93608-16M16-00	PIN, DOWEL	0	
2	6P2-45214-00-00	COVER, WATER INLET 1	0	
3	6P2-45215-00-00	COVER, WATER INLET 2	0	
4	90152-05M08-00	SCREW, COUNTERSUNK	0	
5	90185-05002-00	.NUT, NYLON	0	
6	6CE-45224-00-00	COVER, WATER INLET 3	0	
7	6CE-45225-00-00	COVER, WATER INLET 4	0	
8	90185-05002-00	.NUT, NYLON	0	
9	90110-05039-00	BOLT, HEXAGON SOCKET HEAD	0	
10	6CE-45373-00-00	ANODE	0	
11	90105-10M00-00	BOLT, FLANGE	0	
12	63P-45378-00-00	NIPPLE, HOSE	0	
13	93210-07003-00	.O-RING	0	
14	6D0-44367-00-00	DAMPER, WATER SEAL 3	0	
15	6D0-44362-01-00	TUBE, WATER 2	0	
16	6D0-44366-01-00	DAMPER, WATER SEAL 2	0	
17	69J-45987-00-00	SPACER 1	0	
18	688-45997-01-00	SPACER 2	0	
19	92990-18200-00	WASHER	0	
20	90171-18M04-00	NUT, CASTLE	0	

CONTINUED ON NEXT FRAME >



## LOWER CASING DRIVE 4

Ref No.	Part Number	Description	Qty	Remarks
21	91490-40030-00	PIN. COTTER	0	
22	6CE-45974-20-00	PROPELLER (3X14-3/4"X23"-T)	0	UR SDS 3 BLADE
22	6CE-45978-20-00	PROPELLER (3X15-1/2"X17"-T)	0	UR SDS 3 BLADE
22	6CE-45970-20-00	PROPELLER (3X15-1/4"X19"-T)	0	UR SDS 3 BLADE
22	6CE-45972-20-00	PROPELLER (3X15"X21"-T)	0	UR SDS 3 BLADE
22	6CE-45930-20-00	PROPELLER (3X15-3/4"X13"-T)	0	UR SDS 3 BLADE
22	6CE-45976-20-00	PROPELLER (3X15-3/4"X15"-T)	0	UR SDS 3 BLADE
23	6CE-45C81-10-00	. .DAMPER RUBBER, PROPELLER 1	0	
24	6CE-45B74-20-00	PROPELLER (4X15"X23"-T)	0	UR SDS 4 BLADE
24	6CE-45B72-20-00	PROPELLER (4X15"X22"-T)	0	UR SDS 4 BLADE
24	6CE-45B70-20-00	PROPELLER (4X15"X21"-T)	0	UR SDS 4 BLADE
25	6CE-45C81-10-00	. .DAMPER RUBBER, PROPELLER 1	0	
26	61A-45974-00-00	PROPELLER (3X14-1/2"X19"-T)	0	AP NORMAL PROP.