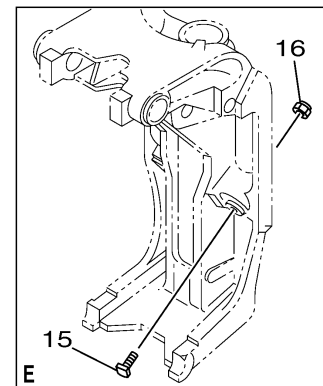
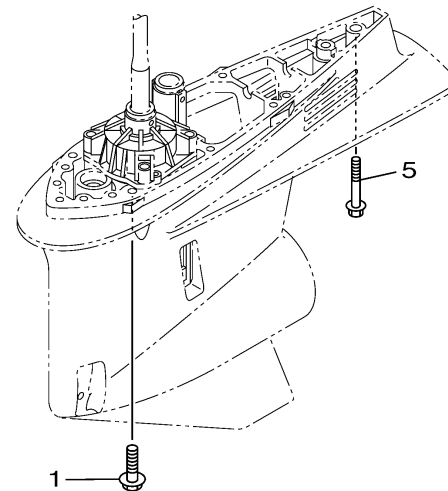
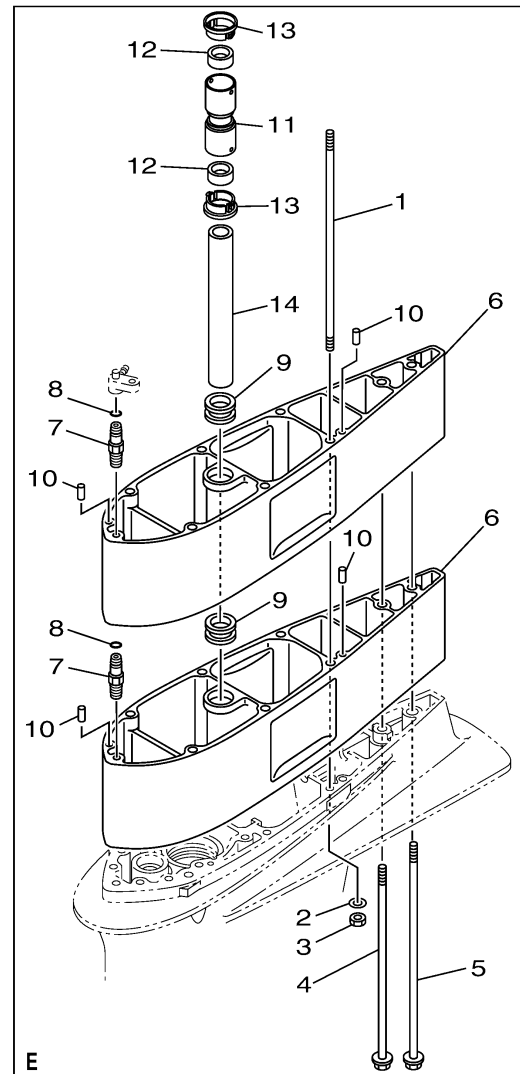
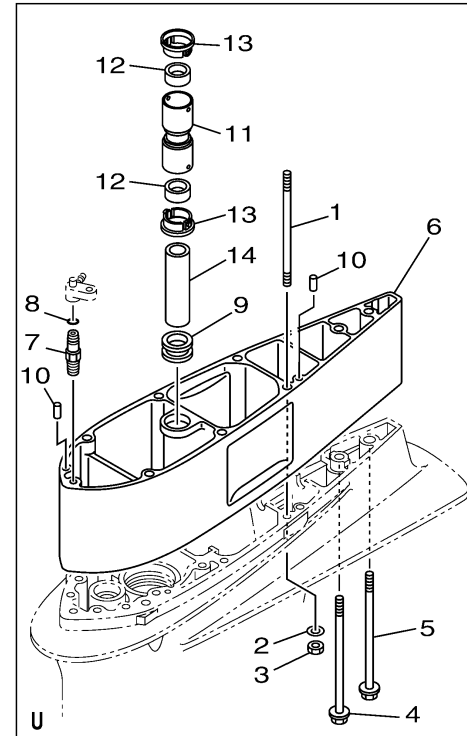


# LOWER CASING DRIVE 5

## REGULAR ROTATION



6CEA100-T420

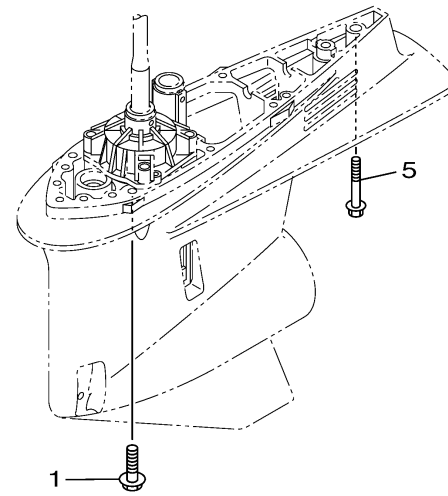
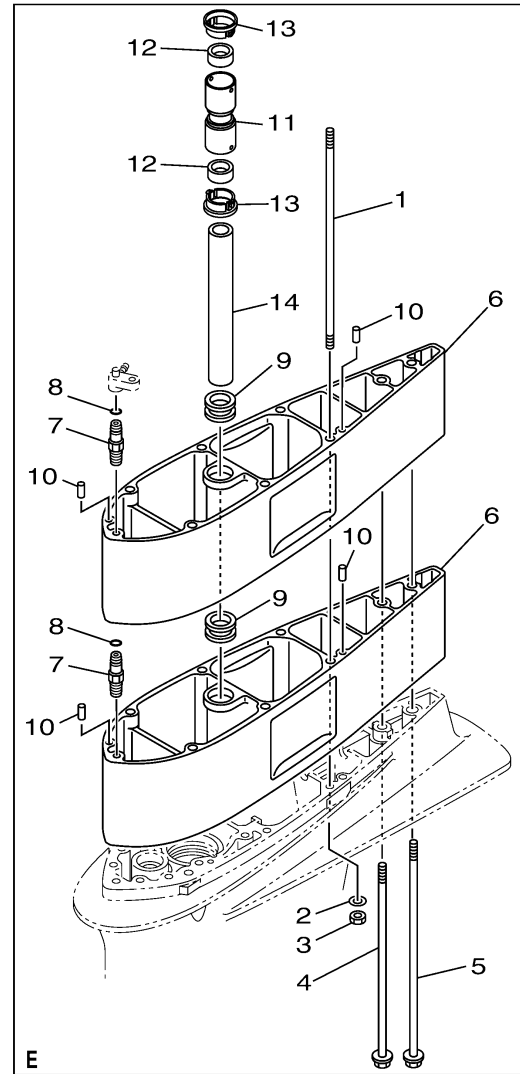
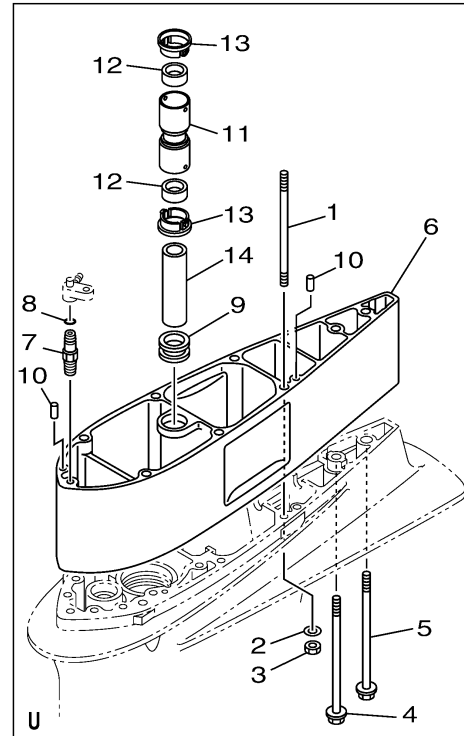


Ref No.	Part Number	Description	Qty	Remarks
1	90119-10038-00	BOLT, WITH WASHER	0	X(25.3")
1	90116-10041-00	BOLT, STUD	0	U(30.3")
1	90116-10066-00	BOLT, STUD	0	E(35.3")
2	90201-10048-00	WASHER, PLATE	0	U(30.3"), E(35.3")
3	90170-10009-00	NUT	0	U(30.3"), E(35.3")
4	90119-10009-00	BOLT, WITH WASHER	0	U(30.3")
4	90119-10060-00	BOLT, WITH WASHER	0	E(35.3")
5	90119-10061-00	BOLT, WITH WASHER	0	E(35.3")
5	90119-10008-00	BOLT, WITH WASHER	0	U(30.3")
5	97E75-10570-00	BOLT, HEXAGON W/W DEEP RECESS	0	X(25.3")
6	6CE-45211-10-CE	EXTENSION	0	WHITE E(35.3")
6	6CE-45211-10-CE	EXTENSION	0	WHITE U(30.3")
6	6CE-45211-10-8D	EXTENSION	0	GRAY E(35.3")
6	6CE-45211-10-8D	EXTENSION	0	GRAY U(30.3")
7	63P-45378-00-00	NIPPLE, HOSE	0	E(35.3")
7	63P-45378-00-00	NIPPLE, HOSE	0	U(30.3")
8	93210-07003-00	.O-RING	0	U(30.3")
8	93210-07003-00	.O-RING	0	E(35.3")
9	6AW-44366-01-00	.DAMPER, WATER SEAL 2	0	E(35.3")
9	6AW-44366-01-00	.DAMPER, WATER SEAL 2	0	U(30.3")

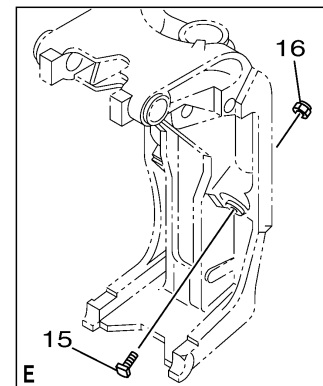
CONTINUED ON NEXT FRAME >

# LOWER CASING DRIVE 5

## REGULAR ROTATION



6CEA100-T420



Ref No.	Part Number	Description	Qty	Remarks
10	93608-16M16-00	PIN, DOWEL	0	U(30.3")
10	93608-16M16-00	PIN, DOWEL	0	E(35.3")
11	6CE-44362-00-00	TUBE, WATER 2	0	U(30.3"), E(35.3")
12	6AW-44365-01-00	.DAMPER, WATER SEAL 1	0	U(30.3"), E(35.3")
13	6AW-44312-00-00	COVER, WATER PUMP HOUSING	0	U(30.3"), E(35.3")
14	6CE-44363-00-00	TUBE, WATER 3	0	E(35.3")
14	6AW-44363-00-00	TUBE, WATER 3	0	U(30.3")
15	6AW-43376-00-00	BOLT, THRUST RECEIVER	0	E(35.3")
16	95780-10300-00	NUT, FLANGE	0	E(35.3")