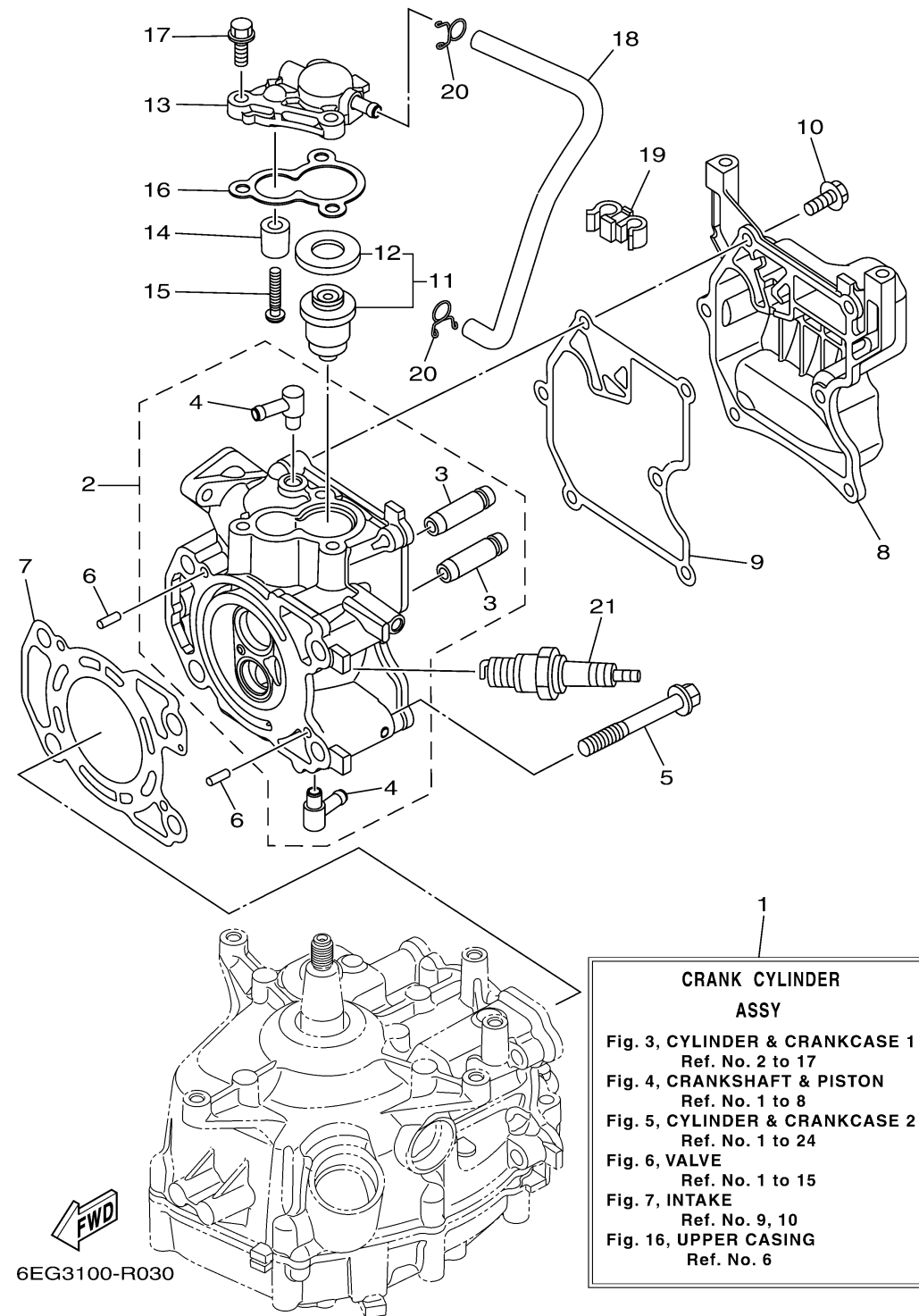


CYLINDER CRANKCASE 1



Ref No.	Part Number	Description	Qty	Remarks
1	6EG-WE090-02-1S	CRANK CYLINDER ASSY	1	
2	6EG-E1111-00-1S	HEAD, CYLINDER 1	1	
3	6EE-E1133-10-00	.GUIDE, VALVE 1	2	
4	676-11372-00-00	.NIPPLE, HOSE	2	
5	90105-08M36-00	BOLT, FLANGE	4	
6	93604-12M07-00	.PIN, DOWEL	2	
7	6EG-E1181-00-00	.GASKET, CYLINDER HEAD 1	1	
8	6EG-E1191-00-00	COVER, CYLINDER HEAD 1	1	
9	6EG-E1193-00-00	.GASKET, HEAD COVER 1	1	
10	90105-06039-00	BOLT, FLANGE	6	
11	69M-12411-01-00	THERMOSTAT	1	
12	688-12412-00-00	.SEAL, THERMOSTAT	1	
13	6EG-E2413-00-1S	COVER, THERMOSTAT	1	
14	6G8-11325-00-00	ANODE	1	
15	97880-05025-00	SCREW, PAN HEAD	1	
16	67D-12414-A0-00	.GASKET, COVER	1	
17	90119-06MA2-00	BOLT, WITH WASHER	3	
18	90445-09808-00	HOSE (L240)	1	
19	90464-09013-00	CLAMP	1	
20	90467-09M09-00	CLIP	2	

CONTINUED ON NEXT FRAME >

CYLINDER CRANKCASE 1

Ref No.	Part Number	Description	Qty	Remarks
21	CR6-HSB00-00-00	PLUG, SPARK (NGK CR6HSB)	1	

