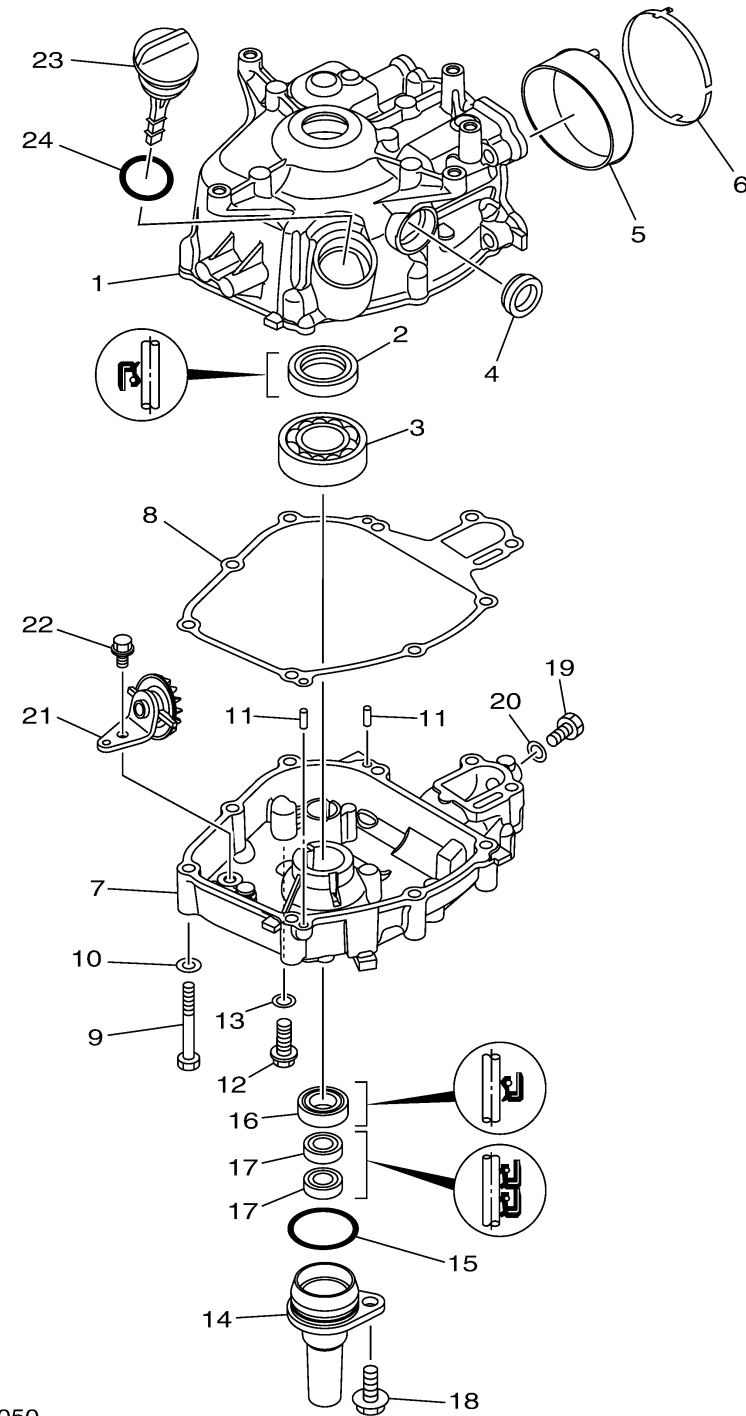


CYLINDER CRANKCASE 2



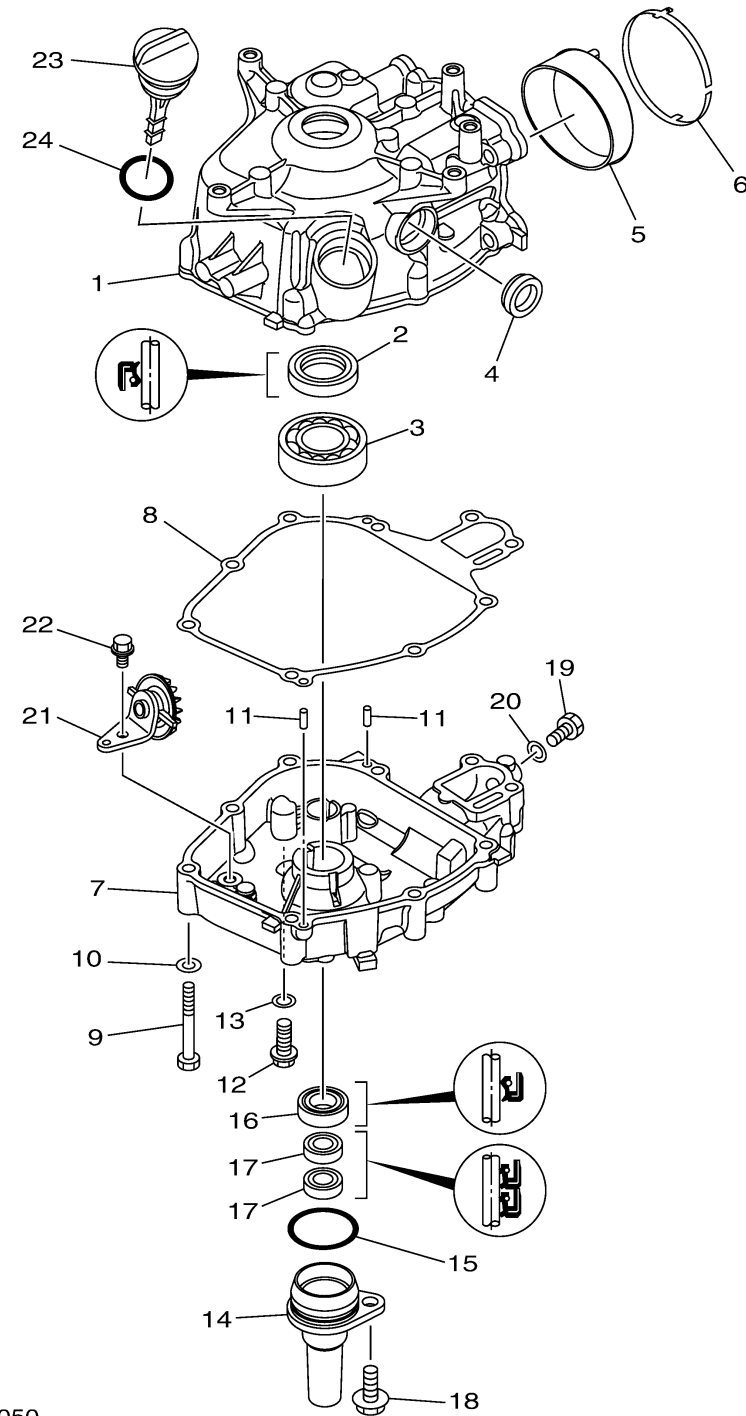
Ref No.	Part Number	Description	Qty	Remarks
1	6EG-E1311-00-1S	CYLINDER 1	1	
2	93102-20814-00	.OIL SEAL	1	
3	93306-272Y2-00	BEARING	1	
4	3Y6-15361-00-00	GAUGE, LEVEL	1	
5	6EG-14664-00-00	GROMMET, WATER SHUT	1	
6	6EG-1246L-00-00	RING, STOP 1	1	
7	6EG-E5111-00-1S	CRANKCASE 1	1	
8	6EG-11351-00-00	.GASKET, CYLINDER	1	
9	97013-06045-00	BOLT	9	
10	92903-06600-00	WASHER, PLATE	9	
11	93604-12M07-00	.PIN, DOWEL	2	
12	90105-08M76-00	BOLT, FLANGE	1	
13	90201-08818-00	.WASHER, PLATE	1	
14	6EG-E5396-00-CA	HOUSING, OIL SEAL	1	
15	93210-35803-00	.O-RING	1	
16	93102-20814-00	.OIL SEAL	1	
17	93102-09800-00	.OIL SEAL	2	
18	97E95-08520-00	BOLT, HEXAGON W/W DEEP RECESS	1	
19	97D95-08014-00	BOLT, HEXAGON DEEP RECESS	1	
20	90430-08143-00	.GASKET	1	

CONTINUED ON NEXT FRAME >


6EG3100-R050

CYLINDER CRANKCASE 2

Ref No.	Part Number	Description	Qty	Remarks
21	6EG-E3102-00-00	GEAR UNIT ASSY	1	
22	95817-06012-00	BOLT, FLANGE	1	
23	6EG-E5362-00-00	PLUG, OIL LEVEL	1	
24	93210-24800-00	.O-RING	1	




6EG3100-R050