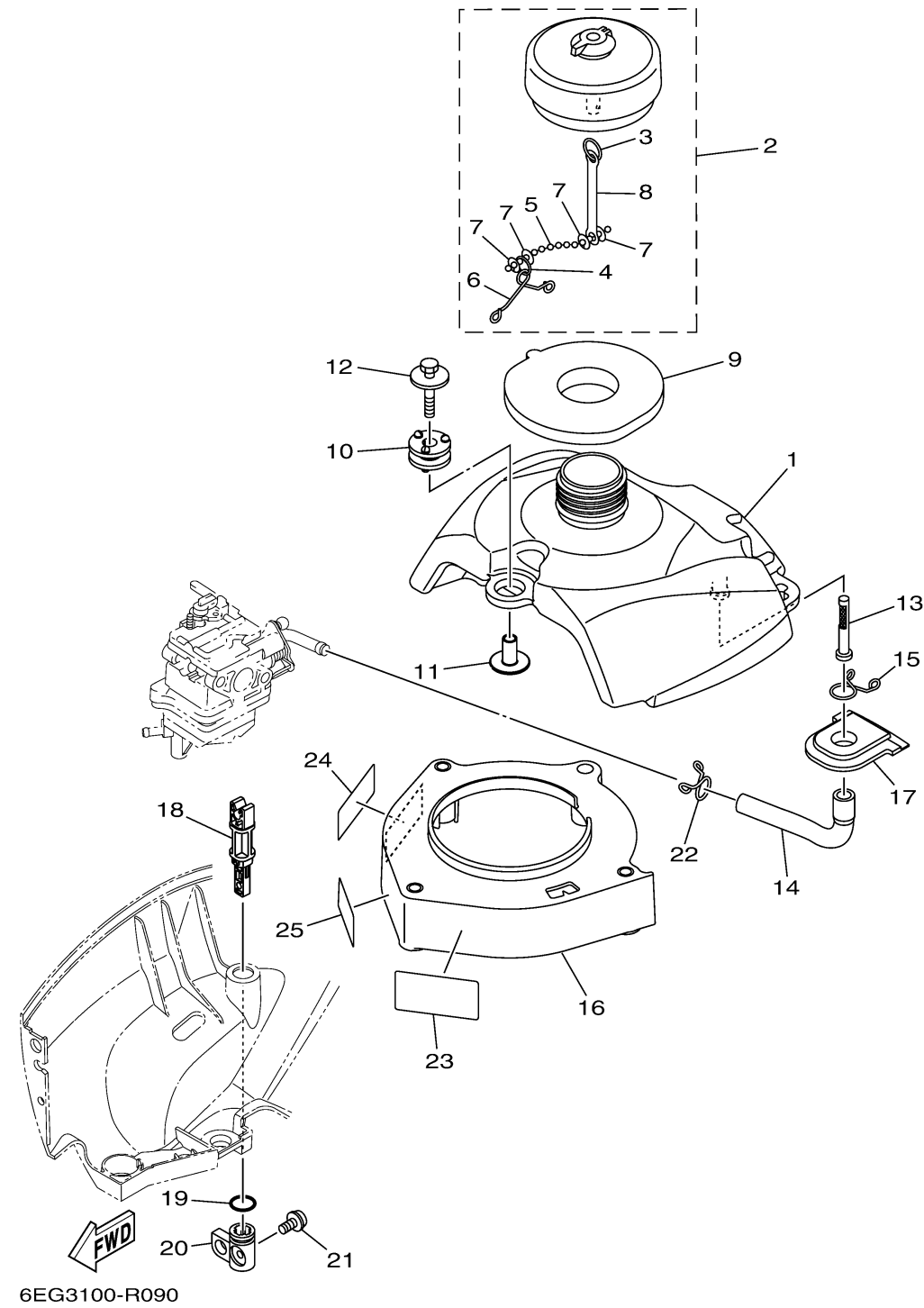


FUEL

Ref No.	Part Number	Description	Qty	Remarks
1	6EG-F4111-10-00	TANK, FUEL	1	
2	69M-24610-03-00	CAP ASSY	1	
3	90468-100A2-00	. .CLIP	1	
4	90468-100A0-00	. .CLIP	1	
5	69M-24633-01-00	. .CHAIN, BALL	1	
6	624-24634-10-00	. .HOOK, CHAIN BALL	1	
7	67D-21757-00-00	. .WASHER, SPECIAL 1	4	
8	69M-16548-00-00	. .JOINT, CHAIN	1	
9	6EG-24641-00-00	GASKET, CAP 1	1	
10	6EG-F4375-00-00	GROMMET	3	
11	90387-06176-00	COLLAR	3	
12	90119-06300-00	BOLT, WITH WASHER	3	
13	6L5-24251-00-00	STRAINER 1	1	
14	6EG-F4311-10-00	PIPE, FUEL 1	1	
15	90467-13M13-00	CLIP	1	
16	6EG-F4191-00-00	BRACKET, FUEL TANK 1	1	
17	6EG-F4181-01-00	DAMPER, LOCATING 1	1	
18	6EG-F4554-00-00	SHAFT, COCK	1	
19	93210-128F6-00	.O-RING	1	
20	6EG-F4575-00-00	LEVER, FUEL CHANGE	1	

CONTINUED ON NEXT FRAME >



FUEL

Ref No.	Part Number	Description	Qty	Remarks
21	90159-05M12-00	SCREW, WITH WASHER	1	
22	90467-11M08-00	CLIP	1	
23	6EG-E3437-61-00	MARK, CAUTION	1	
24	6EE-H1994-40-00	LABEL, SAFETY	1	
25	6EE-H1994-50-00	LABEL, SAFETY	1	

