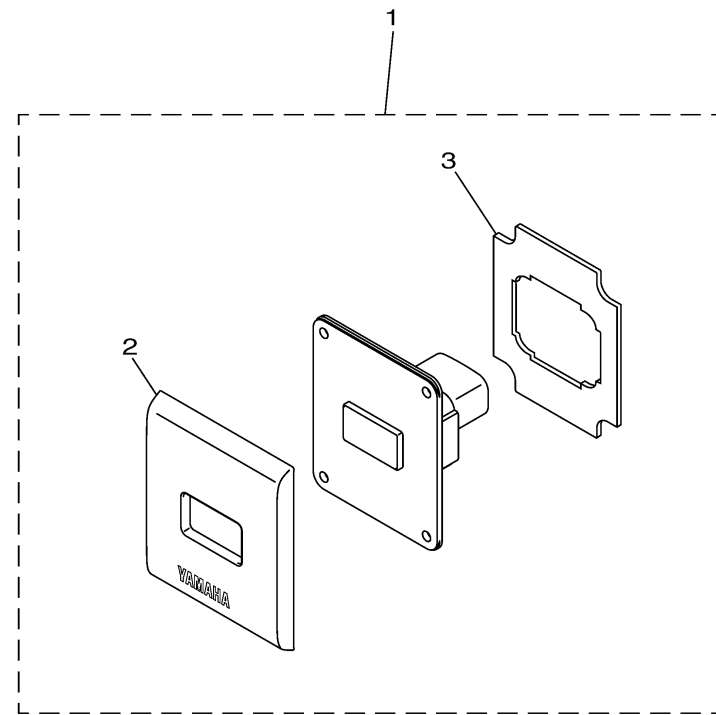


SWITCH PANEL 7

Ref No.	Part Number	Description	Qty	Remarks
1	6X9-82570-A0-00	BATTERY SWITCH PANEL	1	YMUS ONLY
2	6X9-82571-20-00	. .PANEL, SWITCH	1	
3	6X9-22480-20-00	. .SEAL ASSY	1	



6X91100-U150