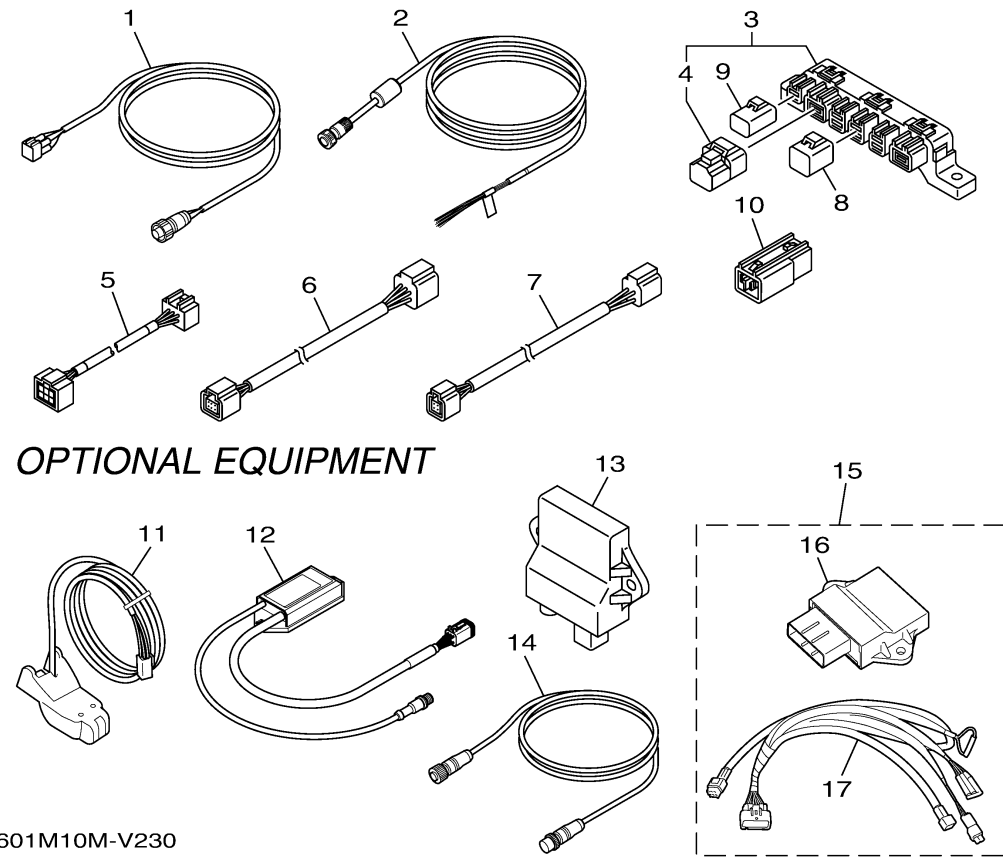
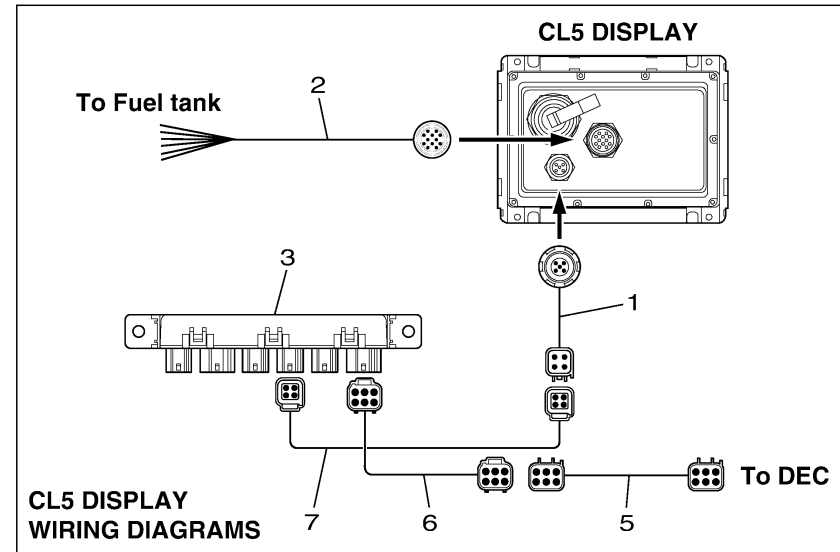


CL5 DISPLAY 2

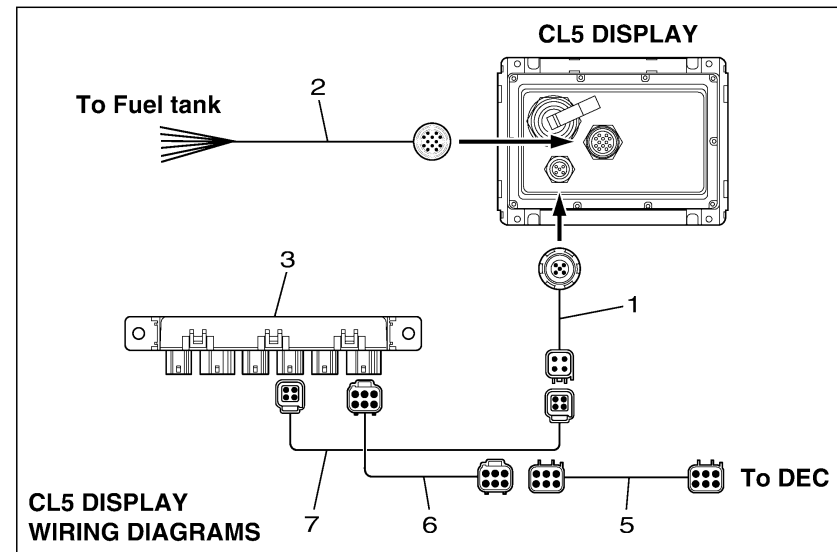


601M10M-V230

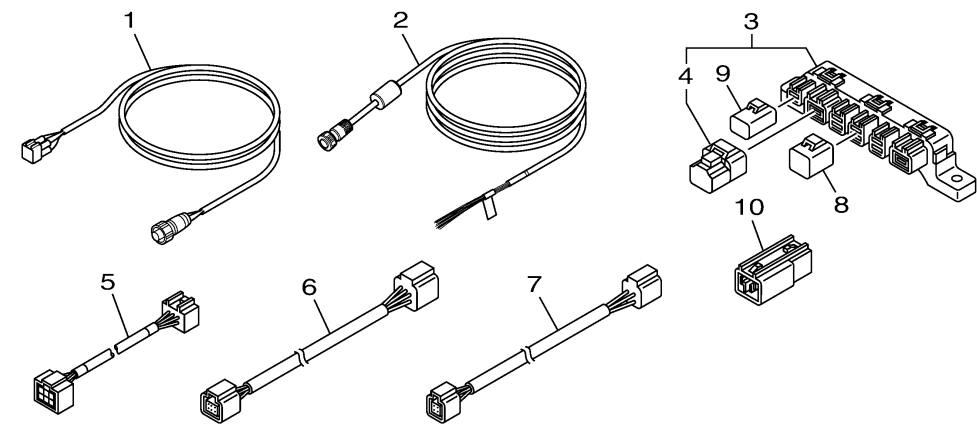
Ref No.	Part Number	Description	Qty	Remarks
1	6YM-83553-00-00	CONVERSION HARNESS	1	
2	6YD-8356N-00-00	WIRE, LEAD	1	
3	6Y8-81920-01-00	MULTI HUB ASSY	1	
4	6Y8-85371-01-00	. .END OF LINE RESISTOR	1	
5	6Y9-83553-00-00	WIRE, LEAD	1	
6	6Y8-82553-01-00	1FT MAIN BUS	1	UR
6	6Y8-82553-11-00	15FT MAIN BUS	1	UR
6	6Y8-82553-21-00	20FT MAIN BUS	1	UR
6	6Y8-82553-31-00	25FT MAIN BUS	1	UR
6	6Y8-82553-41-00	30FT MAIN BUS	1	UR
6	6Y8-82553-50-00	10FT MAIN BUS	1	UR
7	6Y8-82521-01-00	1FT PIGTAIL BUS	1	UR
7	6Y8-82521-11-00	2FT PIGTAIL BUS	1	UR
7	6Y8-82521-21-00	3FT PIGTAIL BUS	1	UR
7	6Y8-82521-31-00	6FT PIGTAIL BUS	1	UR
7	6Y8-82521-41-00	9FT PIGTAIL BUS	1	UR
7	6Y8-82521-51-00	12FT PIGTAIL BUS	1	UR
8	6Y8-82582-11-00	CAP 1 (4PIN)	1	
9	6Y8-82582-01-00	CAP 1 (2PIN)	1	
10	6Y8-81920-11-00	IN-LINE HUB ASSY	1	

CONTINUED ON NEXT FRAME >

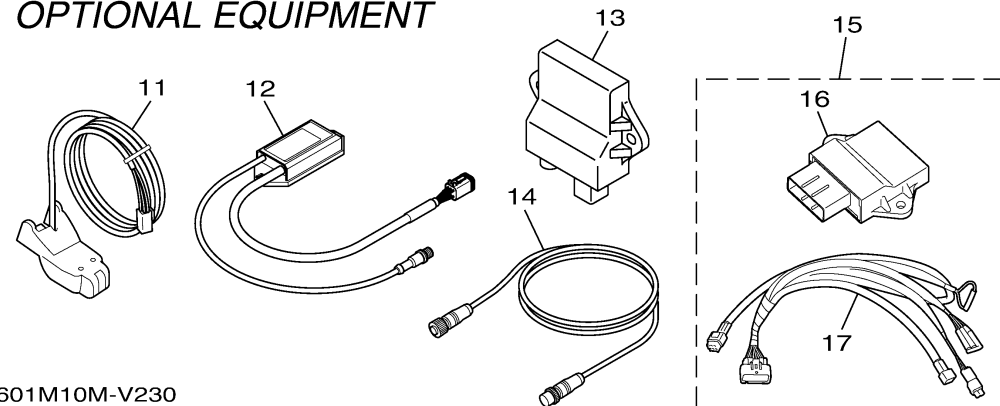
CL5 DISPLAY 2



Ref No.	Part Number	Description	Qty	Remarks
11	6Y9-83688-00-00	SENSOR ASSY	1	
12	99999-04422-00	INTERFACE UNIT SET	1	GATEWAY
13	6YG-8A2D0-11-00	GATEWAY	1	FOR OTHER COMPATIBLE MFD
14	6YG-82521-00-00	GATEWAY HARNESS	1	
15	6YH-W8A2D-00-00	INTERFACE UNIT SET	1	ANALOGUE GAUGE
16	6YH-8A2D0-00-00	.INTERFACE UNIT	1	
17	6YH-82521-00-00	.WIRE, LEAD	1	



OPTIONAL EQUIPMENT



601M10M-V230