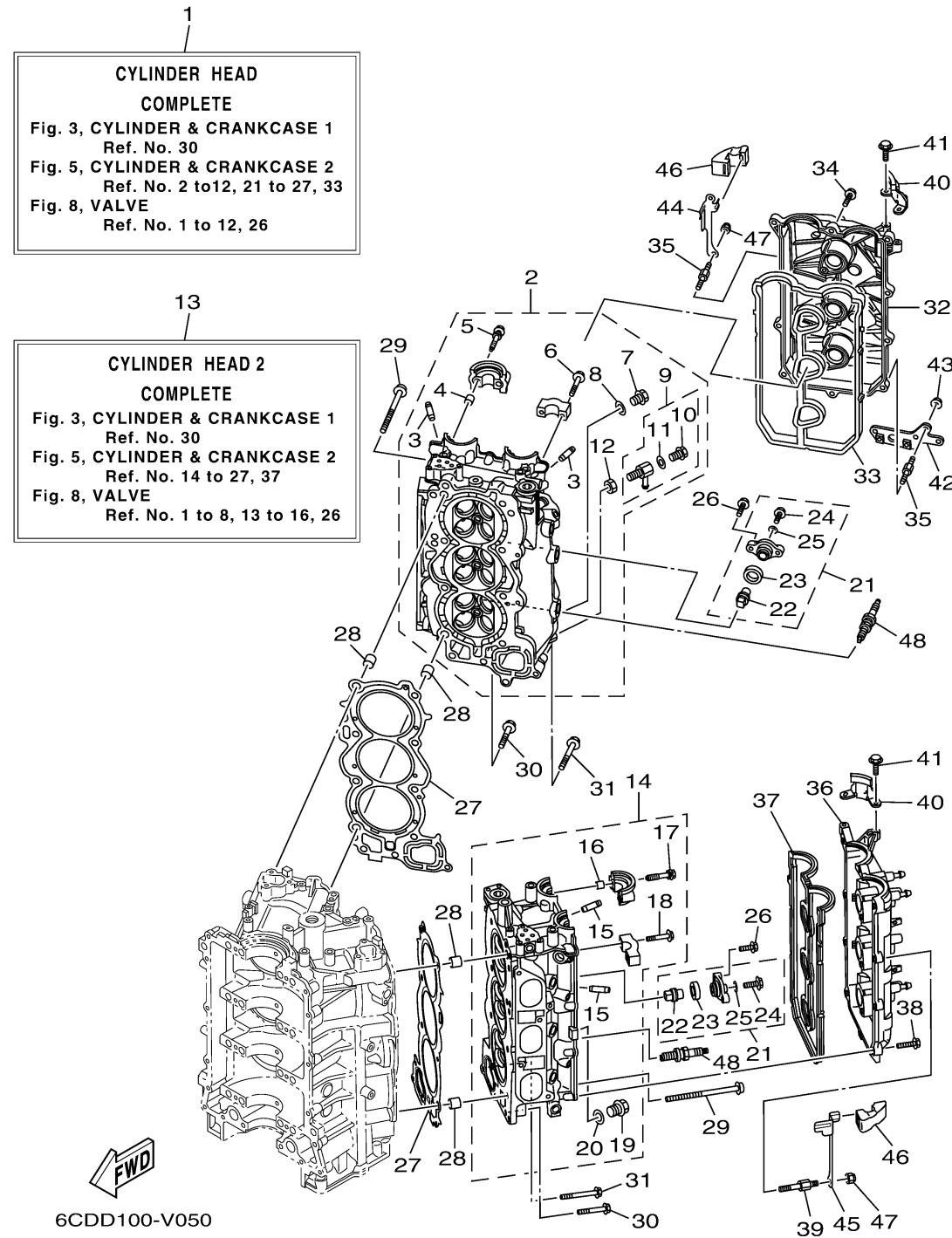


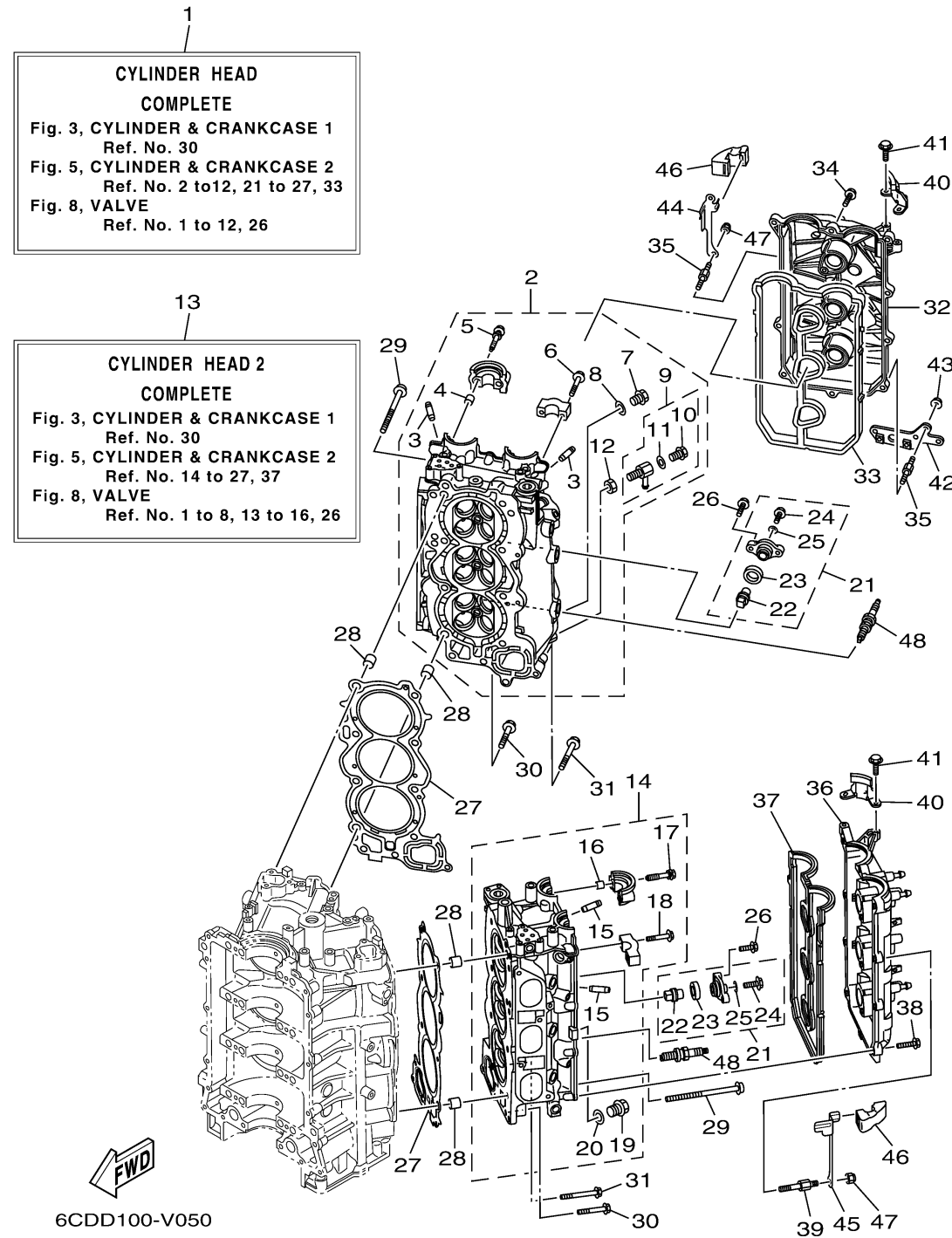
CYLINDER CRANKCASE 2



Ref No.	Part Number	Description	Qty	Remarks
1	6CB-W009A-04-00	CYLINDER HEAD COMPLETE	1	
2	6CB-11110-12-00	CYLINDER HEAD ASSY	1	
3	6S5-11133-10-00	. .GUIDE, VALVE 1	12	
4	91809-08006-00	. .PIN, DOWEL	4	
5	90119-07001-00	. .BOLT, WITH WASHER	4	
6	90119-07234-00	. .BOLT, WITH WASHER	12	
7	90340-18M09-00	. .PLUG, STRAIGHT SCREW	1	
8	90201-186F1-00	. .WASHER, PLATE	1	
9	6CB-83609-00-00	. .CONNECTOR ASSY	1	
10	90340-14M06-00	. . PLUG, STRAIGHT SCREW	1	
11	90430-14115-00	. . .GASKET	1	
12	95380-14700-00	. .NUT	1	
13	6CB-W009C-04-00	CYLINDER HEAD 2 COMPLETE	1	
14	6CB-11120-12-00	CYLINDER HEAD ASSY 2	1	
15	6S5-11133-10-00	. .GUIDE, VALVE 1	12	
16	91809-08006-00	. .PIN, DOWEL	4	
17	90119-07001-00	. .BOLT, WITH WASHER	4	
18	90119-07234-00	. .BOLT, WITH WASHER	12	
19	90340-18M09-00	. .PLUG, STRAIGHT SCREW	1	
20	90201-186F1-00	. .WASHER, PLATE	1	

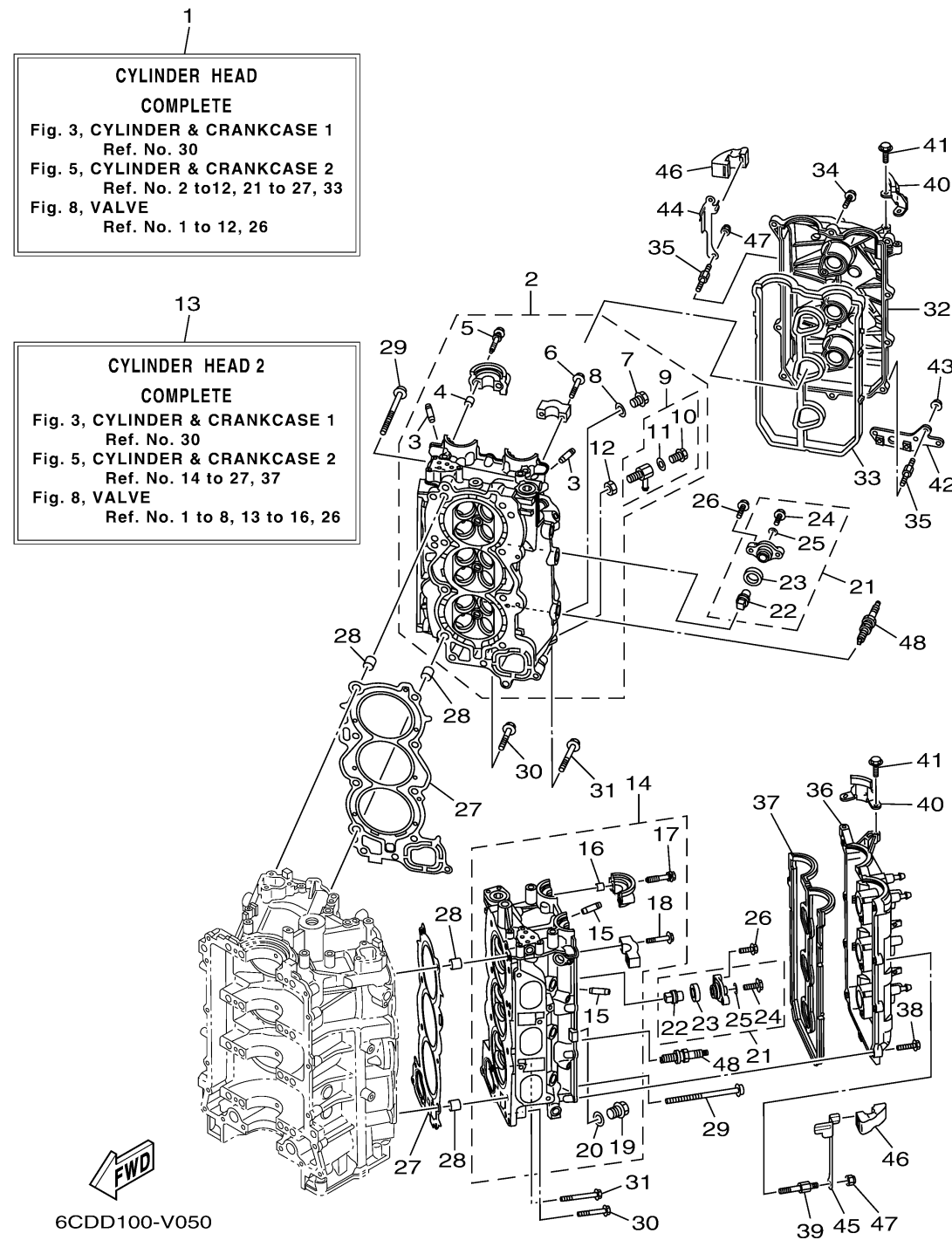
CONTINUED ON NEXT FRAME >

CYLINDER CRANKCASE 2



Ref No.	Part Number	Description	Qty	Remarks
21	67F-11301-01-00	ANODE COVER ASSY	8	
22	67F-11325-01-00	. .ANODE	1	
23	67F-11328-01-00	. .GROMMET, ANODE	1	
24	90105-06M07-00	. .BOLT, FLANGE	1	
25	90430-06M03-00	. .GASKET	1	
26	95D95-08025-00	BOLT, FLANGE DEEP RECESS	16	
27	6CB-11181-00-00	.GASKET, CYLINDER HEAD 1	2	
28	90387-11005-00	COLLAR	4	
29	90149-11001-00	SCREW	16	
30	90105-08175-00	BOLT, FLANGE	4	
31	90105-08220-00	BOLT, FLANGE	2	
32	6CB-11191-02-00	COVER, CYLINDER HEAD 1	1	
33	6CB-11193-00-00	.GASKET, HEAD COVER 1	1	
34	95D95-06030-00	BOLT, FLANGE DEEP RECESS	9	
35	90109-06277-00	BOLT	4	
36	6CB-11192-02-00	COVER, CYLINDER HEAD 2	1	
37	6CB-11194-00-00	.GASKET, HEAD COVER 2	1	
38	95D95-06030-00	BOLT, FLANGE DEEP RECESS	11	
39	90109-06277-00	BOLT	2	
40	6AW-15142-00-00	GUIDE 1	2	

CONTINUED ON NEXT FRAME >



CYLINDER CRANKCASE 2

Ref No.	Part Number	Description	Qty	Remarks
41	95D95-06014-00	BOLT, FLANGE DEEP RECESS	4	
42	6CB-2134V-00-00	BRACKET	1	
43	90179-06M28-00	NUT	2	
44	6CB-11998-10-00	BRACKET 1	1	
45	6CB-11999-10-00	BRACKET 2	1	
46	6CB-42662-02-00	DAMPER	2	
47	90185-06M07-00	NUT, SELF-LOCKING	4	
48	LFR-6A110-00-00	PLUG, SPARK (NGK LFR6A-11)	6	